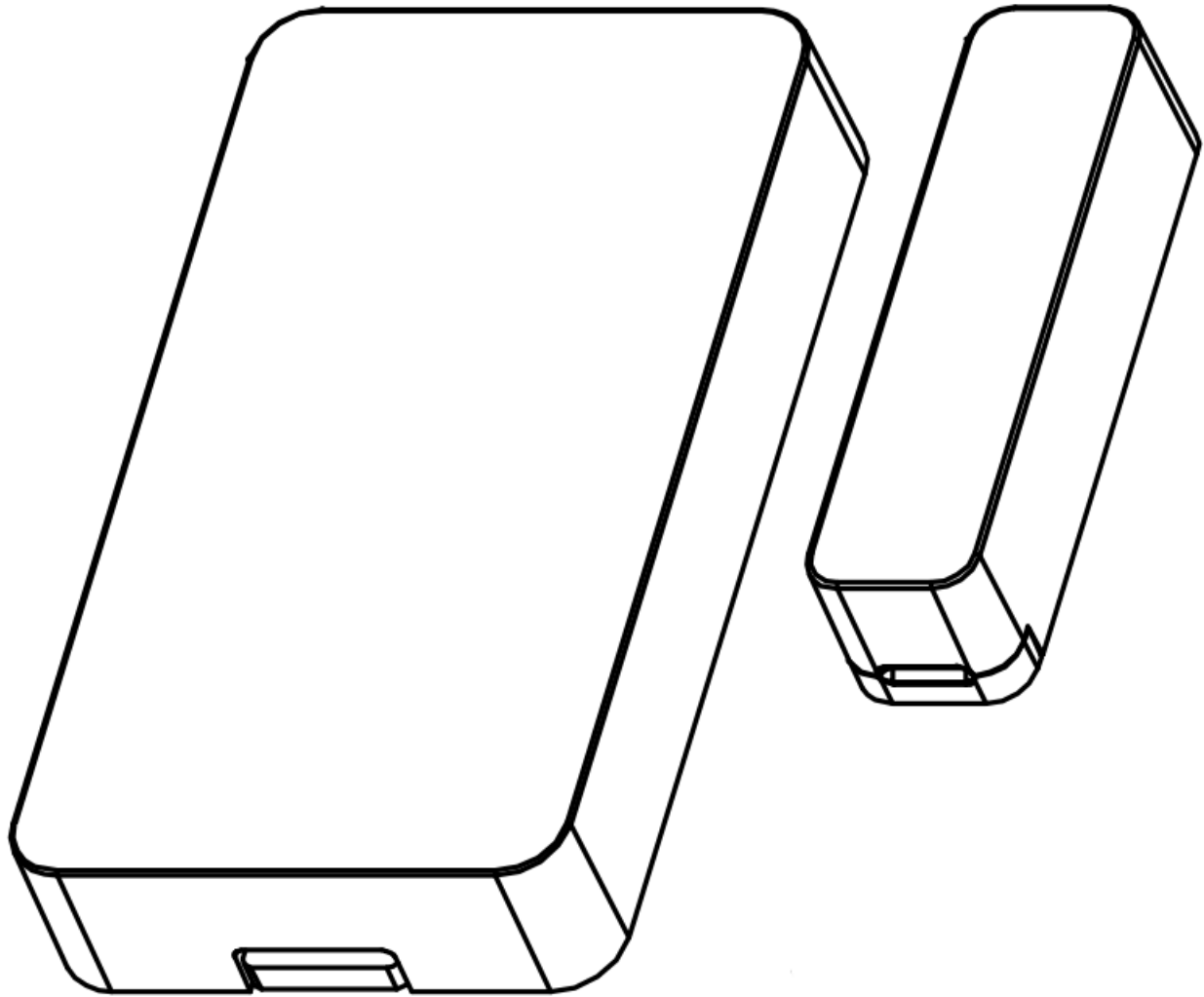




# Zooz ZSE41 800LR Close XS Sensor User Manual

[Home](#) » [ZOOZ](#) » Zooz ZSE41 800LR Close XS Sensor User Manual 

Zooz ZSE41 800LR Close XS Sensor



## Contents

- [1 FEATURES](#)
- [2 SPECIFICATIONS](#)
- [3 INSTALLATION](#)
- [4 TROUBLESHOOTING](#)
- [5 FACTORY RESET](#)
- [6 WAKE-UP MODE](#)
- [7 ASSOCIATION](#)
- [8 ADVANCED SETTINGS](#)
- [9 MOUNTING](#)
- [10 WARNING](#)
- [11 WARRANTY](#)
- [12 Customer Support](#)
- [13 Documents / Resources](#)
  - [13.1 References](#)
- [14 Related Posts](#)

## FEATURES

- Quick and reliable open/close alerts sent to your Z-Wave® hub
- NEW 800 series chip for faster communication and more battery life than ever
- Extra small for discreet mounting

- Waterproof case available for outdoor installs (sold separately)
- Z-Wave® Long Range for ultra reliable no-mesh communication
- S2 security and SmartStart
- Supports OTA firmware updates

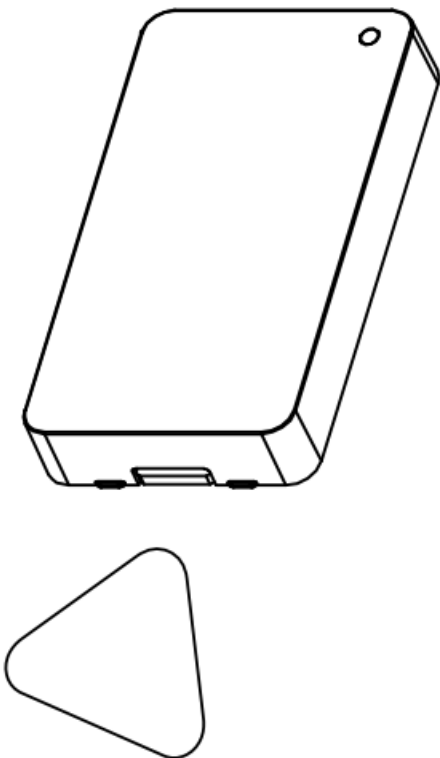
## SPECIFICATIONS

- **Model Number:** ZSE41 800LR
- **Power:** 1 x CR2032 battery
- **Operating Temperature:** 32° – 104° F
- **Dimensions:** 1.9" x 1" x 0.3" (magnet: 1.26" x 0.3" x 0.3")
- **Range:** Up to 130 feet line of sight (up to 1 mile with Long Range)
- **Installation and Use:** Indoor or outdoor with waterproof case (sold separately)

## INSTALLATION

### 1. POWER THE SENSOR

Use the included triangle tool to gently open the sensor's cover and access the battery. Pull the tab from under the battery to activate the sensor. Don't close the cover just yet. The LED indicator will start blinking for around 10 seconds once the sensor is powered.



### The LED indicator doesn't blink or light up at all?

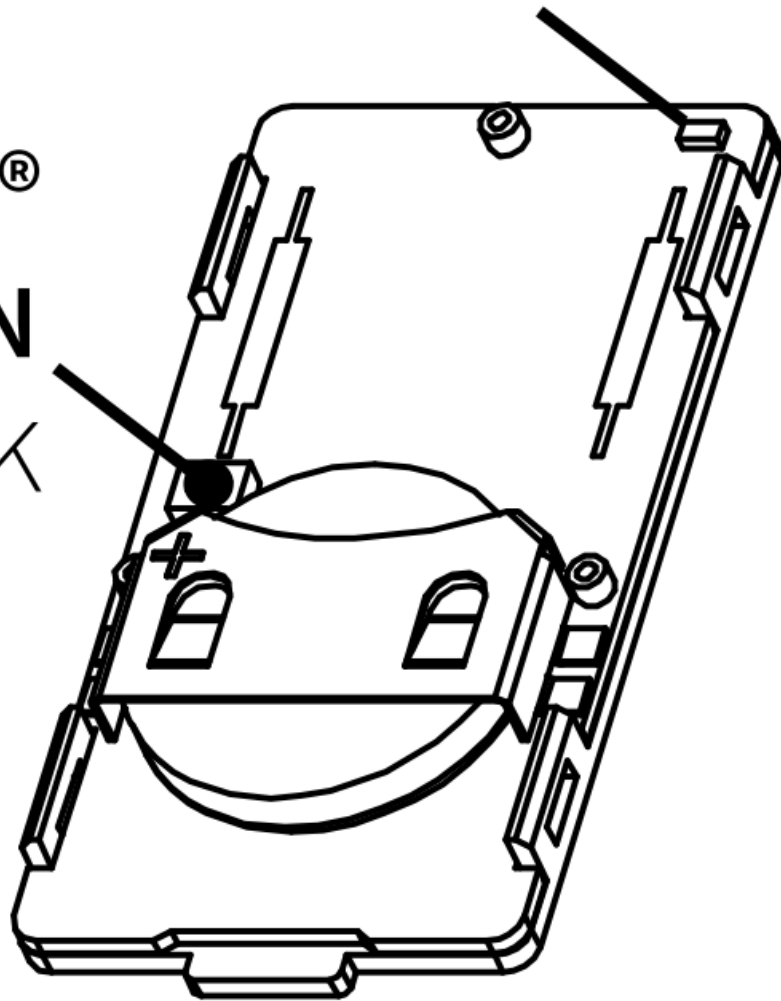
- Make sure the battery is inserted correctly per the positive / negative pole marks.
- Try a fresh lithium nonchargeable battery.
- Click the Z-Wave® button 3 times as quickly as possible to force inclusion/exclusion mode in case you missed when it first flashed.

# LED INDICATOR

**Z-WAVE®**

**BUTTON**

3 x CLICK  
TO PAIR



## Z-WAVE® CONTROL

### 1. ADD DEVICE to your hub

Initiate inclusion (pairing) in the app (or web interface). Not sure how? [ask@getzooz.com](mailto:ask@getzooz.com) If you're using an S2 hub, it will ask you to enter the DSK PIN or scan the QR code printed on the inside of the back cover of the sensor to complete SmartStart inclusion.

### 2. ACTIVATE the sensor

While the hub is looking for new devices, **click the Z-Wave® button 3 times** as quickly as possible. The LED indicator will start flashing to confirm inclusion mode and turn off once inclusion is completed.

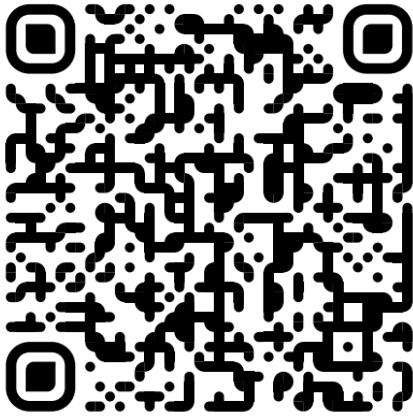
#### TIP!

It's best to add your sensor from the area where it will be installed so the hub can find the best route to reach it right away.

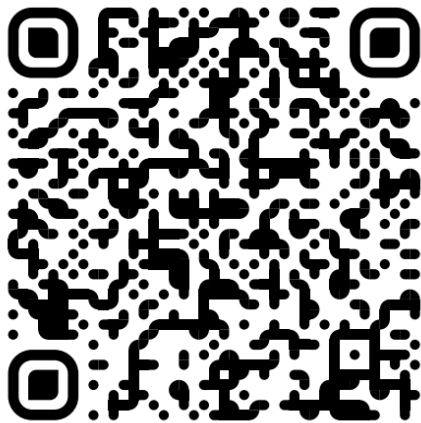
SmartStart enabled products can be added into a Z-Wave® network by scanning the Z-Wave® QR Code present on the product with a controller providing SmartStart inclusion. No further action is required and the SmartStart product will be added automatically within 10 minutes of being switched on in the network vicinity.

Choose your hub and scan the QR code with your phone's camera. Then click on the link to access the step-by-step pairing instructions.

- SmartThings.



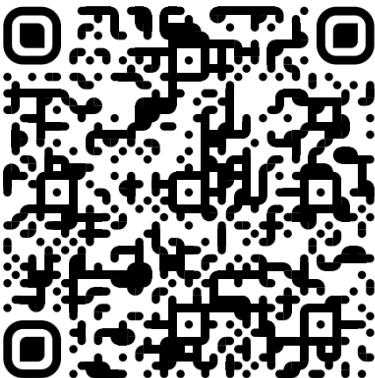
- Hubitat



- Home Assistant



- Z-Box Hub



The sensor won't add to your system? Try this:

1. Initiate **EXCLUSION** in your hub and click the Z-Wave® button 3 times as quickly as possible.
2. Click the Z-Wave® button **quicker** when adding it.
3. Bring the sensor **closer** to your hub, it may be out of range.
4. Double-check if the device is powered.
5. Get troubleshooting tips specific to your hub at [www.support.getzooz.com](http://www.support.getzooz.com)

## **EXCLUSION (REMOVE DEVICE)**

1. Bring the sensor within direct range of your Z-Wave® hub.
2. Put the Z-Wave® hub into exclusion mode (not sure how to do that? [ask@getzooz.com](mailto:ask@getzooz.com)).
3. Click the Z-Wave® button 3 times as quickly as possible.
4. Your hub will confirm exclusion and the sensor will disappear from your controller's device list.

## **FACTORY RESET**

When your network's primary controller is missing or otherwise inoperable, you may need to reset the device to factory settings manually. In order to complete the process, make sure the sensor is powered, then click the Z-Wave® button twice and hold it the third time for 10 seconds. The LED indicator will blink continuously. Immediately after, click the ZWave button twice more to finalize the reset. The LED indicator will flash 3 times to confirm a successful reset.

**NOTE: All previously recorded activity and custom settings will be erased from the device's memory.**

## **WAKE-UP MODE**

The sensor's wake-up interval is set to 12 hours by default to save battery life. Use the Wake Up Command Class to adjust the interval. Click the Z-Wave® button 4 times quickly to wake the sensor up manually. The LED indicator will flash once to confirm the device is awake. During wakeup, the sensor turns the Z-Wave® radio on for one minute to receive communication from the hub. Long wake-up interval will not affect how often the sensor reports to your hub so we recommend leaving the default setting to conserve battery.

## **ASSOCIATION**

The XS Sensor supports Group 1 for Lifeline communication and Group 2 with up to 5 devices for basic on/off control. This device will send a Basic Set command to Group 2 whenever it detects a change in the open/close status. It sends an ON command when OPEN status is detected and OFF command when CLOSED status is detected. Please note that not all Z-Wave® systems give users access to direct association settings so if you're not sure where to find it, please get in touch with our support and we'll be happy to help.

## **ADVANCED SETTINGS**

**Parameter 1:** Turn the LED indicator for open/close status change on or off.

**Values:** 0 – LED indicator won't blink when the sensor's status is changed from open to close and vice versa; 1 – LED indicator will blink when the sensor's open/close status is changed (default).

**Size:** 1 byte dec

**Parameter 4:** Decide when the sensor should report low battery to the hub.

**Values:** 10-50 (% battery life).

**Default:** 20

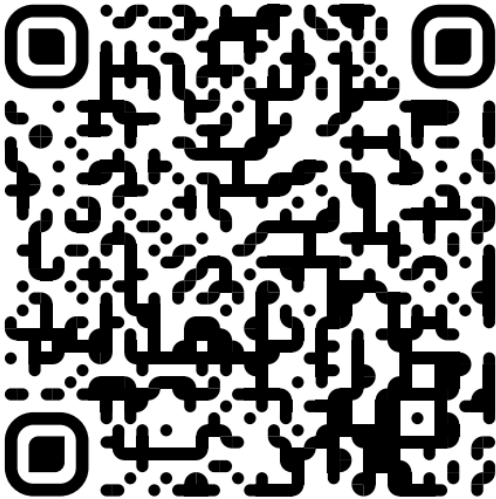
**Size:** 1 byte dec

**Parameter 5:** Decide which status should the sensor report to the hub when the magnet touches the sensor.

**Values:** 0 – closed status reported when the magnet is by the sensor (default); 1 – open status reported when the magnet is by the sensor.

**Size:** 1 byte dec

**Click the Z-Wave® button 4 times quickly to wake the sensor up aer updating the settings.** We listed the most helpful settings above. For a complete list of parameters, please go to [www.support.getzooz.com](http://www.support.getzooz.com) or scan the QR code for a direct link to all of the settings.

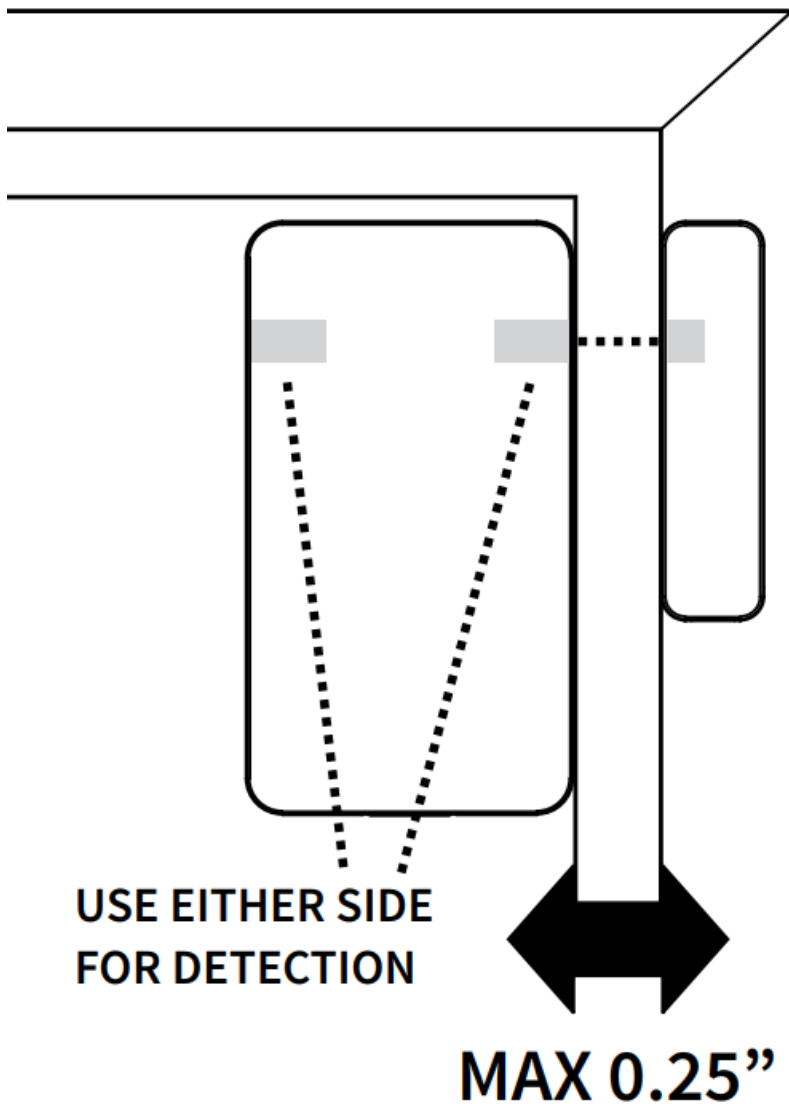


Not sure how to access advanced settings on your hub? We'll help! [ask@getzooz.com](mailto:ask@getzooz.com)

## **MOUNTING**

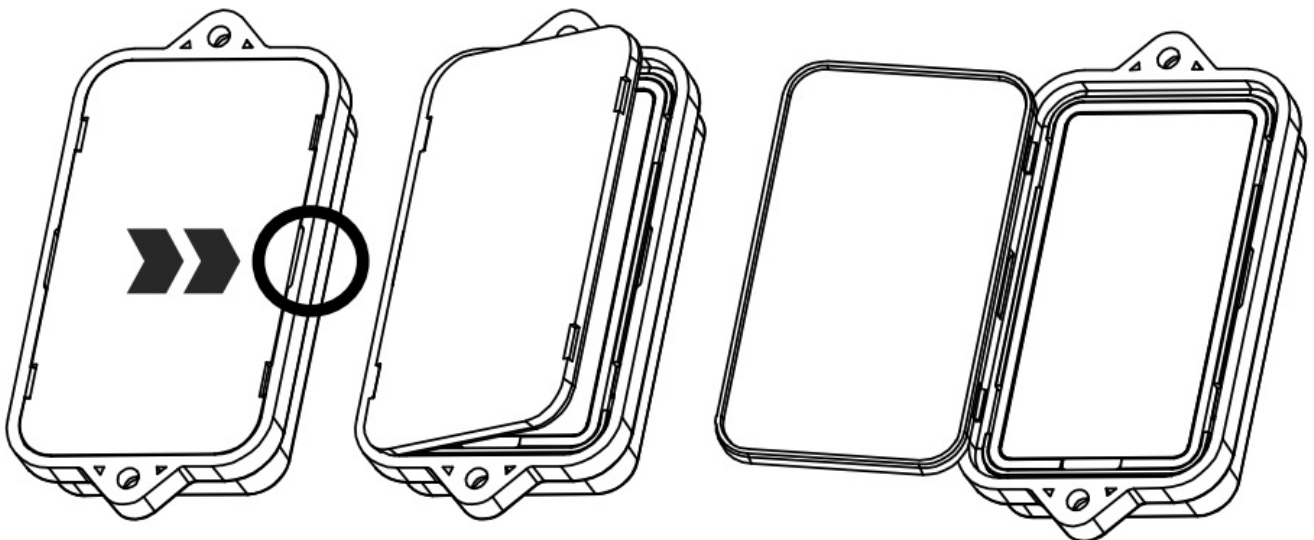
### **INDOOR MOUNTING**

1. We recommend including your sensor to the Z-Wave® network from the location you want to install it before you actually mount it on the door or window frame.
2. Check if the gap between the moving part of the door / window and its frame isn't greater than 0.25". The magnet will reliably report status change at 0.25" from the sensor.
3. Place the sensor on the moving part of the door / window and the magnet on the frame so that the grey orientation marks on both parts are directly opposite each other. The sensor should report "closed" to your hub. If it doesn't, move the sensor and magnet closer together.
4. Once you find the correct position for the sensor and the magnet, use the supplied adhesive tape to fix both parts to your door or window. Test the sensor one last time to make sure it reports as expected.



## OUTDOOR MOUNTING

1. Install the product outdoors only with the waterproof case (sold separately).
2. Add the sensor to Z-Wave® from the area where it will be installed before mounting it.
3. Insert the sensor into the waterproof case, by opening it on the back side as shown below:

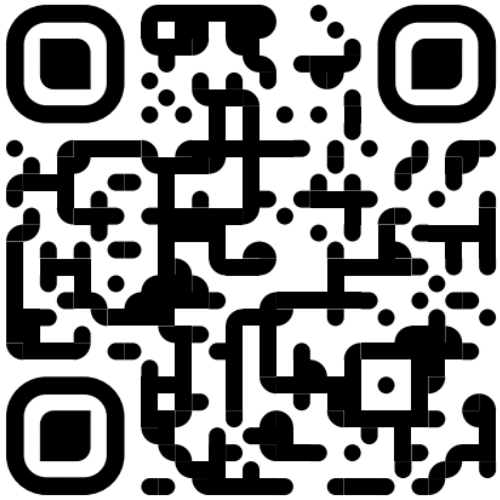


4. Position the sensor and the magnet according to the orientation marks and ensure the space between them doesn't exceed 0.25".



5. Check if the sensor reports “closed” to the hub when the door / window is closed to confirm correct positioning.
6. Use the supplied mounting screws to fix the sensor to the moving part of the door/window and the tape to fix the magnet to the frame. Test the sensor one more time to see if it reports correctly to your hub.

**Scan to register your product for extended warranty and direct access to firmware files.**



# S2

This product can be included and operated in any Z-Wave® network with other Z-Wave® certified devices from other manufacturers and/or other applications. All non-battery operated nodes within the network will act as repeaters regardless of vendor to increase reliability of the network. This product features the latest Security 2 (S2) framework to remove smart home network hacking risks. This device is equipped with a unique authentication code for trusted wireless communication.



## WARNING

- This product should be installed indoors or outdoors in a waterproof case upon completion of any building renovations.
- Prior to installation, the device should be stored in a dry, dust-and-mold-proof place.
- Do not install the device in a place with direct sun exposure, high temperature, or humidity.
- Keep away from chemicals, water, and dust.
- Ensure the device is never close to any heat source or open flame to prevent fire.
- No part of the device may be replaced or repaired by the user except for the batteries.

## WARRANTY

This product is covered under a 1 – year limited warranty and 5-year extended warranty once registered. To read the full warranty policy or file a warranty claim, please go to [www.getzooz.com/warranty](http://www.getzooz.com/warranty)

IN NO EVENT SHALL ZOOZ OR ITS SUBSIDIARIES AND AFFILIATES BE LIABLE FOR ANY INDIRECT, INCIDENTAL, PUNITIVE, SPECIAL, OR CONSEQUENTIAL DAMAGES, OR DAMAGES FOR LOSS OF PROFITS, REVENUE, OR USE INCURRED BY CUSTOMER OR ANY THIRD PARTY, WHETHER IN AN ACTION IN

CONTRACT, OR OTHERWISE EVEN IF ADVISED OF THE POSSIBILITY OF SUCH DAMAGES. ZOOZ'S LIABILITY AND CUSTOMER'S EXCLUSIVE REMEDY FOR ANY CAUSE OF ACTION ARISING IN CONNECTION WITH THIS AGREEMENT OR THE SALE OR USE OF THE PRODUCTS, WHETHER BASED ON NEGLIGENCE, STRICT LIABILITY, BREACH OF WARRANTY, BREACH OF AGREEMENT, OR EQUITABLE PRINCIPLES, IS EXPRESSLY LIMITED TO, AT ZOOZ'S OPTION, REPLACEMENT OF, OR REPAYMENT OF THE PURCHASE PRICE FOR THAT PORTION OF PRODUCTS WITH RESPECT TO WHICH DAMAGES ARE CLAIMED. ALL CLAIMS OF ANY KIND ARISING IN CONNECTION WITH THIS AGREEMENT OR THE SALE OR USE OF PRODUCTS SHALL BE DEEMED WAIVED UNLESS MADE IN WRITING WITHIN THIRTY (30) DAYS FROM ZOOZ'S DELIVERY, OR THE DATE FIXED FOR DELIVERY IN THE EVENT OF NONDELIVERY.

## **FCC NOTE**

THE MANUFACTURER IS NOT RESPONSIBLE FOR ANY RADIO OR TV INTERFERENCE CAUSED BY UNAUTHORIZED MODIFICATIONS TO THIS EQUIPMENT. SUCH MODIFICATIONS COULD VOID THE USER'S AUTHORITY TO OPERATE THE EQUIPMENT. STORE INDOORS WHEN NOT IN USE. SUITABLE FOR DRY LOCATIONS ONLY. DO NOT IMMERSE IN WATER. NOT FOR USE WHERE DIRECTLY EXPOSED TO WATER.

This device complies with Part 15 of the FCC Rules.

### **Operation is subject to the following conditions:**

1. This device may not cause harmful interference,
2. This device must accept any interference received, including interference that may cause undesired operation.

This equipment has been tested and found to comply with the limits for a Class B digital device, pursuant to part 15 of the FCC Rules.

These limits are designed to provide reasonable protection against harmful interference in a residential installation. This equipment generates, uses and can radiate radio frequency energy and, if not installed and used according to instructions, may cause harmful interference to radio communications.

However, there is no guarantee that interference will not occur in any given installation. If this equipment causes harmful interference to radio or television reception, the user may try to correct the interference by taking one or more of the following measures:

- Reorient or relocate receiving antenna
- Increase the separation between equipment and receiver
- Connect equipment into a separate outlet or circuit from receiver
- Consult the dealer or an experienced radio/TV technician for additional assistance

## **Customer Support**



Firmware 2.0

All brand names displayed are trademarks of their respective holders.

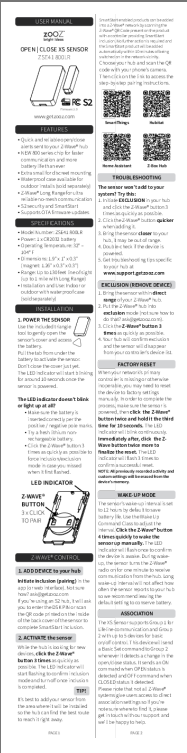
© Zooz 2024

[www.getzooz.com](http://www.getzooz.com)

# ZOOZ™

bright ideas

## Documents / Resources

 <p>The thumbnail shows the first page of the user manual. It features the Zooz logo at the top left, followed by the product name 'ZSE41 800LR Close XS Sensor'. Below this is a list of key features and specifications, including 'Z-Wave Plus Certified', '800MHz', and '300-foot range'. The page is divided into sections with icons, such as 'POWER THE SENSOR', 'LED INDICATOR', and 'WAVE UP MODE'. The text is small but clearly legible.</p>	<p><a href="#">Zooz ZSE41 800LR Close XS Sensor [pdf] User Manual</a> ZSE41 800LR Close XS Sensor, ZSE41 800LR, Close XS Sensor, Sensor</p>
---	---

## References

- [User Manual](#)

[Manuals-](#), [Privacy Policy](#)

This website is an independent publication and is neither affiliated with nor endorsed by any of the trademark owners. The "Bluetooth®" word mark and logos are registered trademarks owned by Bluetooth SIG, Inc. The "Wi-Fi®" word mark and logos are registered trademarks owned by the Wi-Fi Alliance. Any use of these marks on this website does not imply any affiliation with or endorsement.