



ZIP 403552 Hydroboil Instant On-Wall Boiling Water Instructions

[Home](#) » [Zip](#) » ZIP 403552 Hydroboil Instant On-Wall Boiling Water Instructions 



SPEC SHEET – 403552 (HS003)
Zip Hydroboil



Contents

- [1 Instant on-wall boiling water](#)
- [2 Features and benefits](#)
- [3 Product detail](#)
- [4 Electrical](#)
- [5 Warranty](#)
- [6 Technical drawings & dimensions](#)
- [7 Documents / Resources](#)
 - [7.1 References](#)
- [8 Related Posts](#)

Instant on-wall boiling water

Enjoy no waiting time with this convenient, reliable and safe wall-mounted instant boiling water unit. Advanced technology delivers boiling water heated to within 0.5°C of set temperature. Simple to use, it employs an external twoway classic tap with fingertip control for filling cups. The tap also locks on to fill pots hands-free.

MODEL	TANK SIZE (litres)	HEAT UP TIME (INLET 15°C)	HEAT UP TIME (INLET 10°C)	NOMINAL POWER RATING KW	DIMENSIONS W X D X H	FILLED WEIGHT
403552	3	16mins	17mins	1.4 kW @ 230V AC	300mm x 183mm x 439mm	12.5kg

Features and benefits

Convenience

The Hydroboil range delivers reliable boiling water instantly, saving time and helping to increase workplace productivity.

Space saving

Wall-mounted units save much-needed counter-top and under-counter space.

Easy and safe to use

Simple controls and a range of safety features give you complete peace of mind.

Energy efficient

Steam-Heat-Boost technology saves energy by recycling steam to pre-heat incoming cold water – making boiling quicker and less costly.

Wide range

With capacities ranging from 1.5 to 40 litres, there is a model for every situation.

Product detail

Specification type

Product code	403552 (HS003)
Product name	HydroBoil HS003 3ltr Instant on-wall boiling water heater in white
Case material	Corrosion Resistant White Enamelled Steel
Instant boiling water	Twin chamber
Control	N/A
Service Access Port	Top and bottom

Capacity, weights & dimensions

Capacity	3ltrs
Unit dimension (W x D x H)	300mm x 183mm x 439mm
Product weight	12.5kg
Plumbing	
Wholesome cold water inlet supply required	Yes
Supply pressure range	0.07 MPa (0.7bar) – 0.5 (5bar)
Inlet pipe	1/2" BSP
Vent pipe	15mm
Vent discharge	Visible tundish or drainage board
Installation	Must comply with current water supply regulations

Electrical

Nominal power rating kw	1.4 kW @ 230V AC
Power supply 1.5L to 25L models	1 x 13A double pole isolation switch or socket outlet
Installation	Must comply with current IEE regulations

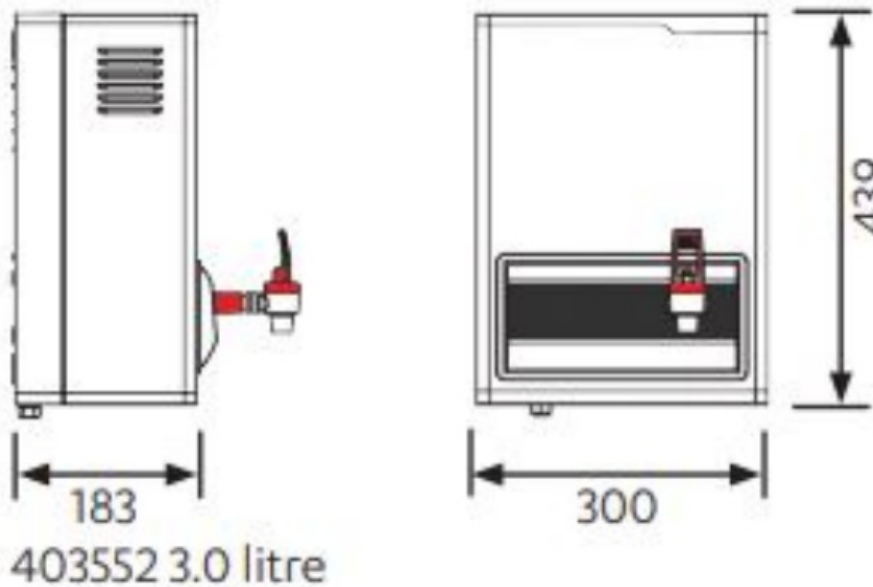
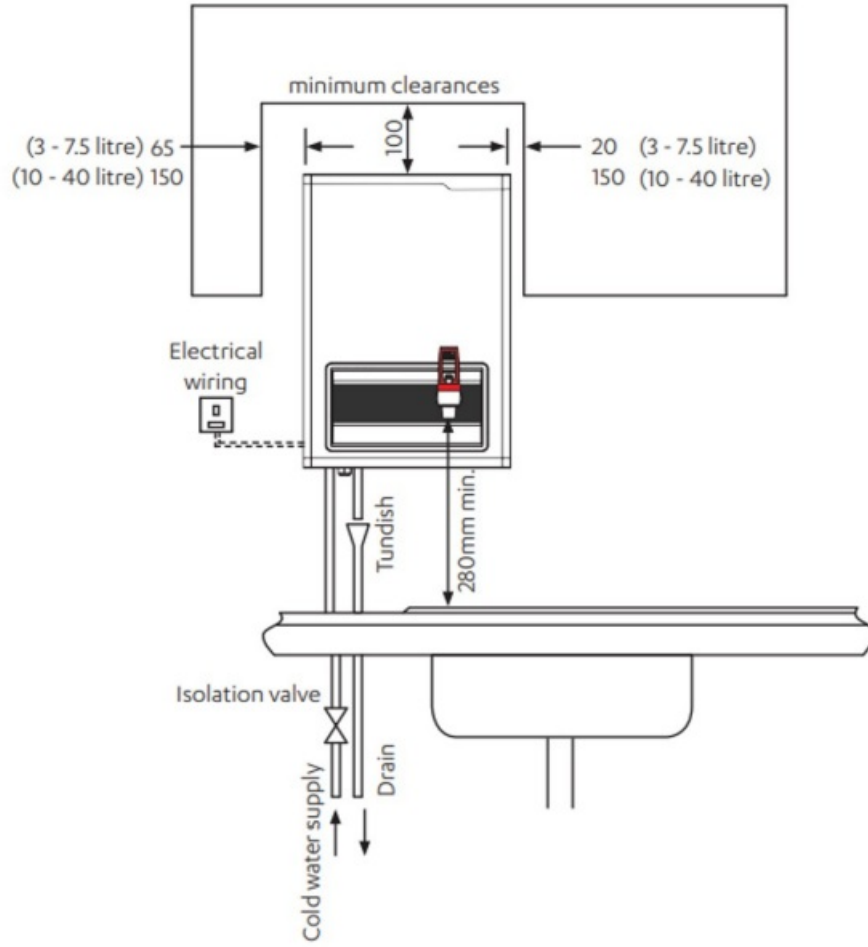
Warranty

2 Year on-site parts and labour on site	Terms and conditions apply (visit website for more information)
---	---

Technical drawings & dimensions

All dimensions in mm

All dimensions in mm



Specification sheet Zip Hydroboil

Technical Support Tel. 0345 6 005 005 Email: service@zipindustries.co.uk specify.zipwater.co.uk



[ZIP 403552 Hydroboil Instant On-Wall Boiling Water](#) [pdf] Instructions
403552 Hydroboil Instant On-Wall Boiling Water, 403552, Hydroboil Instant On-Wall Boiling Water, Instant On-Wall Boiling Water, Wall Boiling Water, Boiling Water, Water

References

-  [TCPDF](#)

[Manuals+](#)