



Zigbee Green Power Switch SR-ZGP2801K4-FOH Installation Guide

 [Liton](#) [October 13, 2021](#) [October 25, 2021](#)  [Leave a comment](#)

*Zigbee Green Power Switch SR-ZGP2801K4-FOH
Installation Guide*

Zigbee Green Power Switch (Friends of Hue)

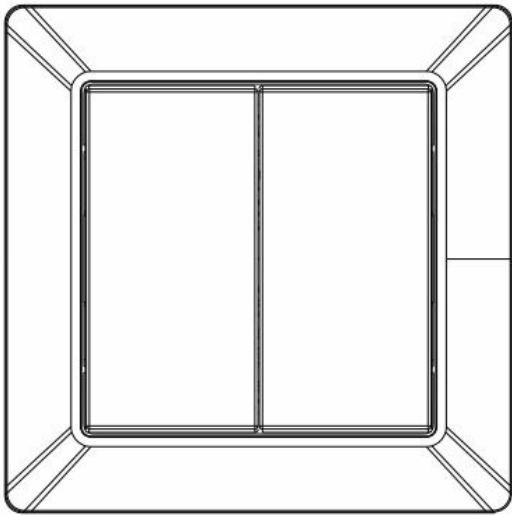


Important: Read All Instructions Prior to Installation

Contents [[hide](#)]

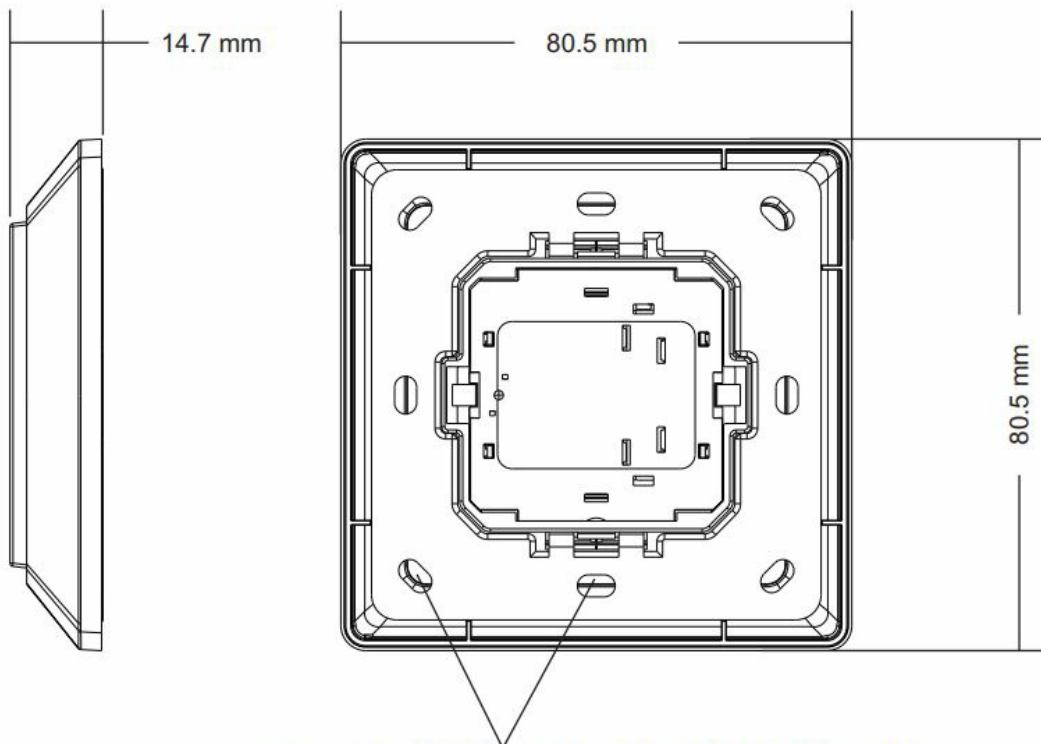
- [1 Function introduction](#)
- [2 Product Data](#)
- [3 Product Description](#)
- [4 Safety & Warnings](#)
- [5 Installation](#)
- [6 Related Manuals](#)

Function introduction



Front side

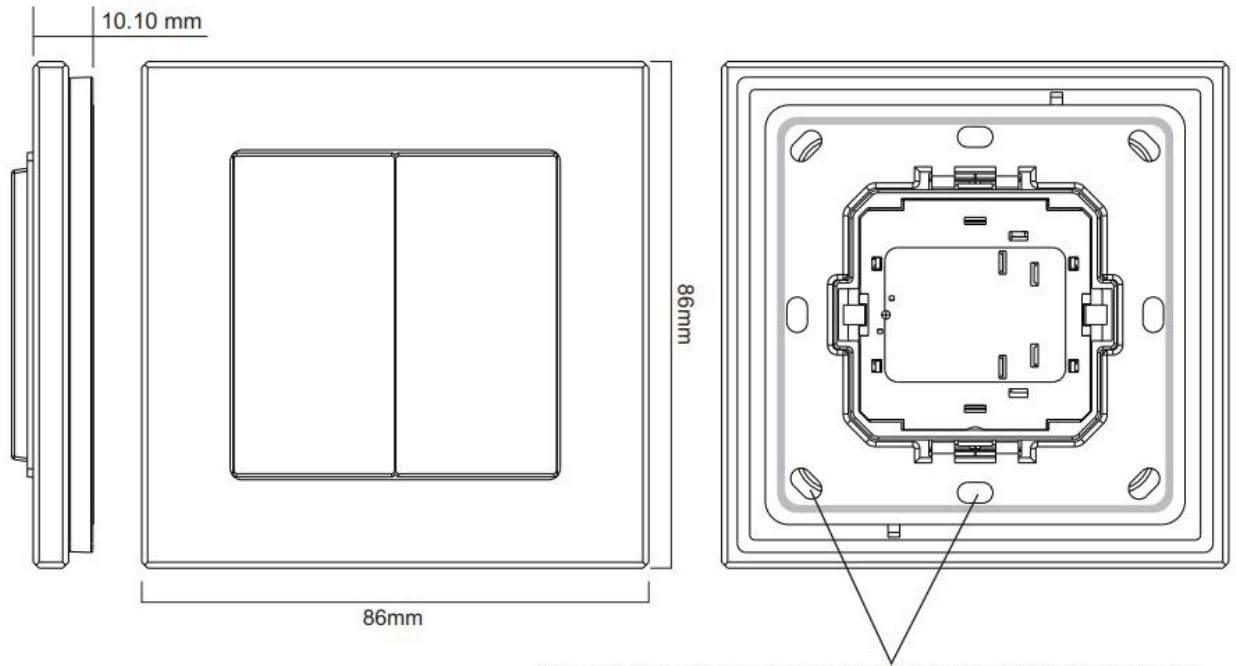
With Plastic Frame



The remote control can be fixed on the wall with 3M glue or screw.

Back side

With Glass Frame



The remote control can be fixed on the wall with 3M glue or screw.

Product Data

Switch Type	Friends of Hue Switch
Transmission Range	10-30m (typical)
Radio Frequency	2.4GHz
Power Supply	Self-generated when switch is pressed
Buttons	4
Dimensions	80.5x80.5x14.7mm / 86x86x14mm
Operating Temperature	-20 °C ~ +45 °C
Working Humidity	10% ~ 95% RH non-condensing
Waterproof Grade	IP20
Warranty	5 years

Product Description

The Friends of Hue GP switch is a wireless transmitter that communicates with Philips Hue bridge. The switch uses battery-free, energy-harvesting technology. Every time the switch is pressed, a micro-generator produces a small electrical current that powers a built-in transmitter. This transmitter sends wireless radio signals that are used to remotely control the Philips Hue system.

The switch can be configured through Hue App after added to the Hue bridge. It enables to control designated light devices in 2 designated rooms with 4 buttons. Functions of the 4 buttons can be configured separately through Hue App. The configurable functions includes ON/OFF, dim up/dim down, and system preset scene control.

Safety & Warnings

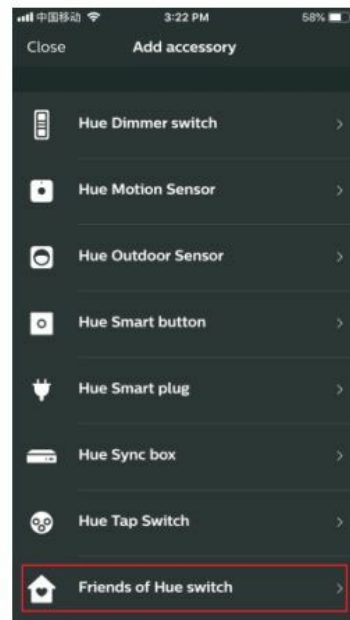
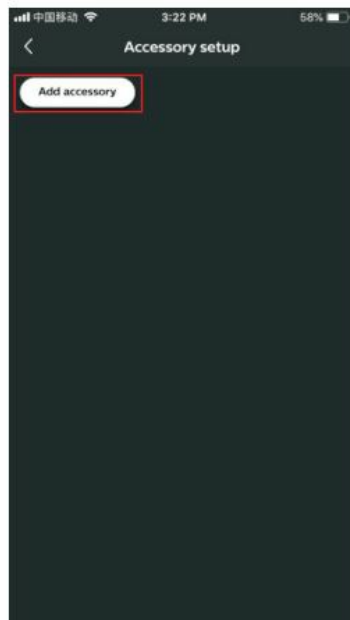
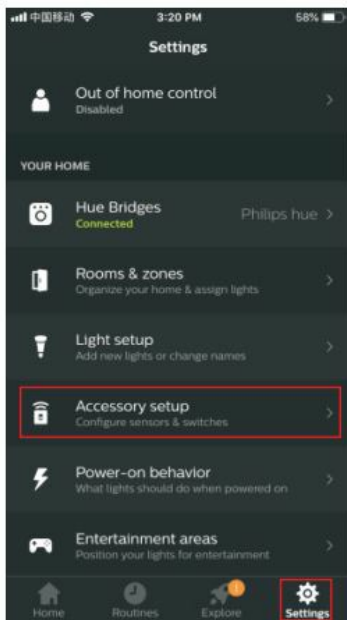
- DO NOT expose the device to moisture.

Operations

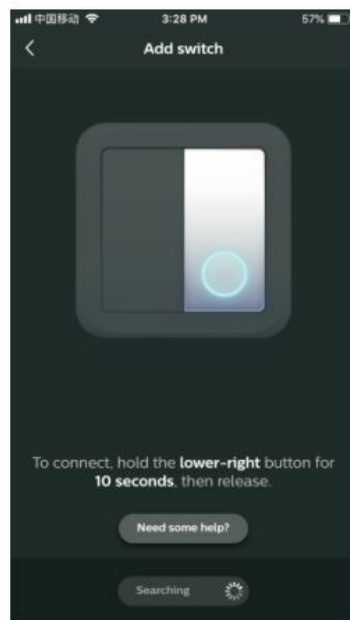
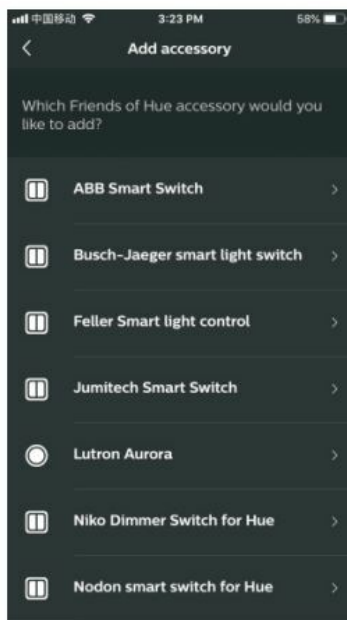
1. Add the Switch to Hue Bridge

Step 1: configure your Hue Bridge correctly and add light devices to the Hue Bridge through Hue App as instructed.

Step 2: tap "Accessory setup" on "Settings" page, then tap "Add accessory", then tap "Friends of Hue switch".



Step 3: tap a brand to select it, any brand will work. Then operate the switch as instructed to enable it to be added to the Hue Bridge.



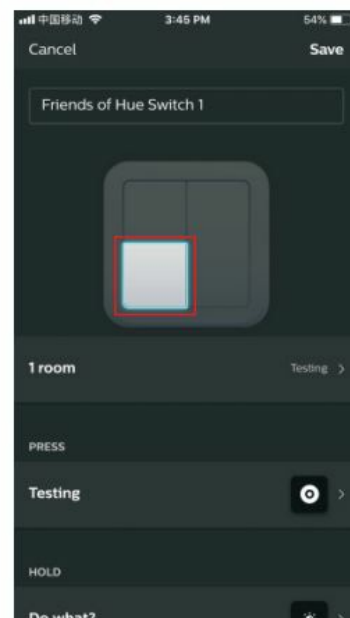
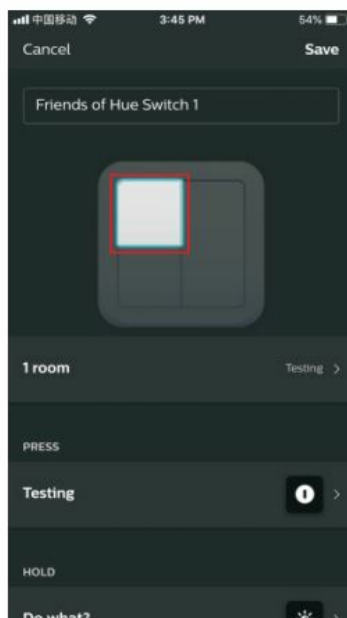
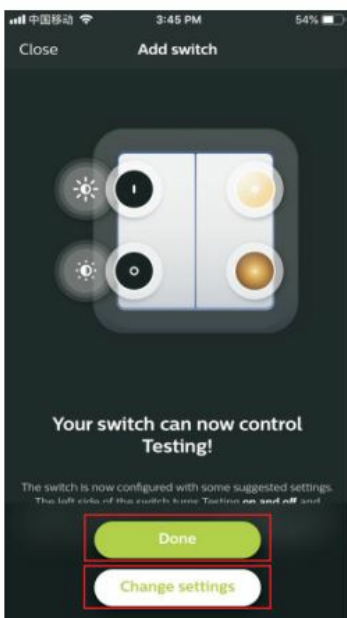
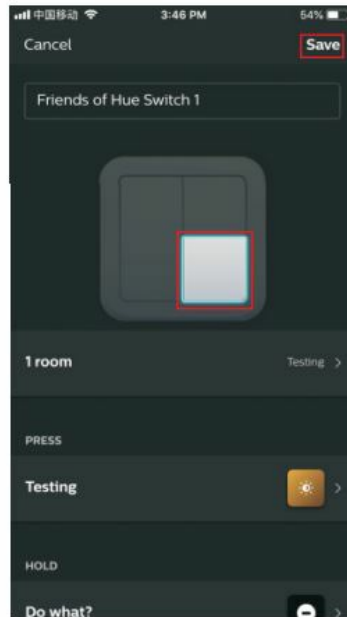
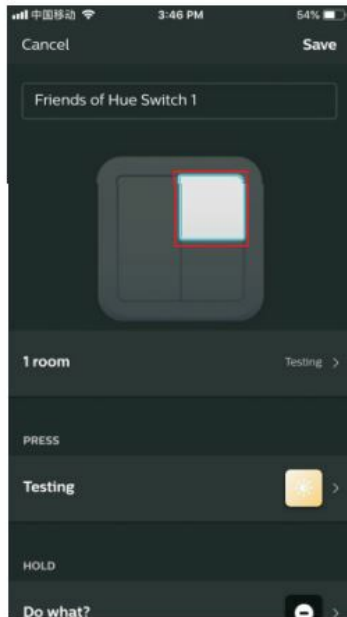
2. Select designated room/rooms to control

Step 1: Tap to select a room to be controlled by left side on the switch, then right side.



3. Configure the Switch through Hue App

Step 1: once added successfully, you can use the system suggested setting or configure the switch as per your preferences. Just tap "Done" to use suggested setting, or tap "change settings" to configure as instructed. 4 buttons can be configured one by one separately. Tap the button area to select the button to be configured.

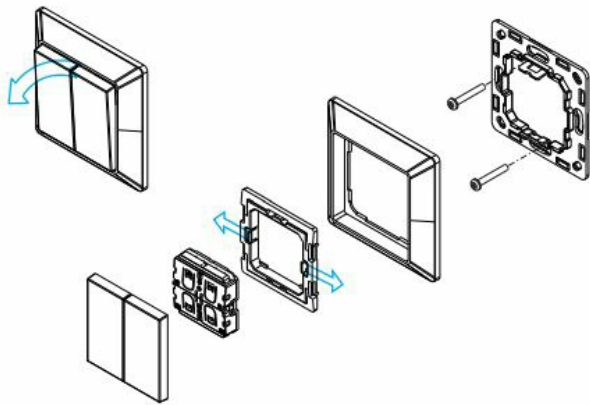


4. Control the Light Devices in the Selected Room/Rooms with the Switch

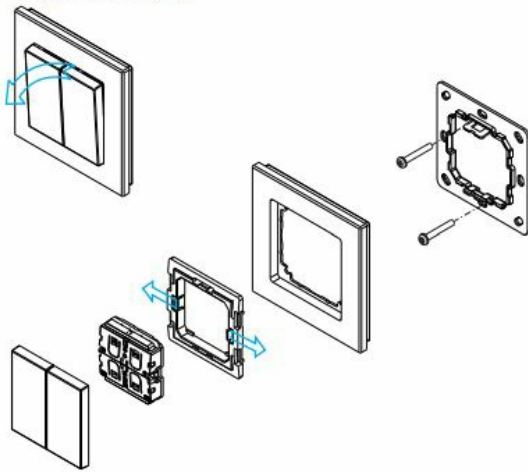
After configured successfully, tap "save" at upper right corner to save the settings. Then you can use the switch to control the light devices in the selected room/rooms.

Installation

With Plastic Frame



With Glass Frame



The key part of this controller is a universal, extremely rotary standard switch element that can be integrated in numerous frames by different manufactures as below list:

BEKER	S1, B1, B3, B7 glass
GIRA	Standard55, E2, Event, Esprit
JUNG	A500, Aplus
MERTEN	M-smart, M-Arc, M-Plan

Related Manuals

- [ZigBee AC 2-Gang In-Wall Switch SR-ZG9101SAC User Guide](#) ZigBee 2-Gang In-wall Switch Important: Read All Instructions Prior to...
- [ZigBee SR-ZG9040A-S Micro Smart Dimmer Instructions](#) ZigBee SR-ZG9040A-S Micro Smart Dimmer Instructions Important: Read All Instructions...
- [ZigBee 2-Gang In-wall Switch User Guide](#) ZigBee 2-Gang In-wall Switch Function Introduction Product Data Input Voltage...
- [SONOFF ZigBee Smart Switch Installation Guide](#) SONOFF ZigBee Smart Switch The device can be operated intelligently...
- [zigbee Smart Cable Installation Guide](#) zigbee Smart Cable Installation Guide Product description The Smart Cable...
- [zigbee Smart Humidity Sensor Installation Guide](#) Smart Humidity Sensor INSTALLATION MANUAL Product description The Smart Humidity...

Leave a comment

Your email address will not be published.

Comment

Name

Email

Website

Save my name, email, and website in this browser for the next time I comment.