



# UP-TECH®



## LUXE ERGONOMIC MOUSE WIRELESS USB CONNECTION INSTRUCTION MANUAL

### Contents [ [hide](#) ]

- [1 WP-TECH 2BNAF1750 Luxe Ergonomic Mouse](#)
- [2 MOUSE DIAGRAM](#)
- [3 BATTERY INSTALLATION](#)
- [4 BASIC OPERATION](#)
- [5 Documents / Resources](#)
  - [5.1 References](#)



**FCC Caution:**

Any Changes or modifications not expressly approved by the party responsible for compliance could void the user's authority to operate the equipment.

This device complies with part 15 of the FCC Rules. Operation is subject to the following two conditions: (1) This device may not cause harmful interference, and (2) this device must accept any interference received, including interference that may cause undesired operation.

**IMPORTANT NOTE:**

**Note:** This equipment has been tested and found to comply with the limits for a Class B digital device, pursuant to part 15 of the FCC Rules. These limits are designed to provide reasonable protection against harmful interference in a residential installation. This equipment generates, uses and can radiate radio frequency energy and, if not installed and used in accordance with the instructions, may cause harmful interference to radio communications. However, there is no guarantee that interference will not occur in a particular installation. If this equipment does cause harmful interference to radio or television reception, which can be determined by turning the equipment off and on, the user is encouraged to try to correct the interference by one or more of the following

measures:

- Reorient or relocate the receiving antenna.
- Increase the separation between the equipment and receiver.
- Connect the equipment into an outlet on a circuit different from that to which the receiver is connected.
- Consult the dealer or an experienced radio/TV technician for help.

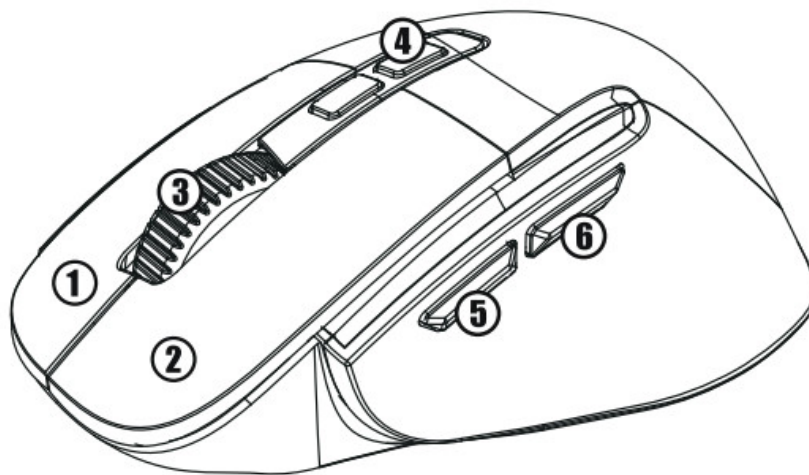
### **FCC Radiation Exposure Statement:**

This equipment complies with FCC radiation exposure limits set forth for an uncontrolled environment.

### **INSTRUCTION MANUAL**

Thank you for purchasing the UPTECH Luxe Ergonomic Mouse. This mouse has been designed with long term computer use and gaming in mind, providing a smooth user experience with universal compatibility. Please take the time to go over the information provided even if you are familiar with a similar product.

### **MOUSE DIAGRAM**



1. Right Button
2. Left Button
3. Scroll Wheel
4. DPI Switch Buttons
5. Forward Button
6. Back Button

## BATTERY INSTALLATION

- This mouse is powered by two AAA batteries, not included. To install the batteries, remove the battery compartment cover located on the underside of the mouse.
- With the cover removed, take out the 2.4 GHz wireless connector from its holder. Insert the batteries into the compartment, ensuring proper polarity for functionality. The mouse's sensor light will flash red briefly, confirming successful battery installation. Secure the battery compartment cover back in place.

## BASIC OPERATION

Insert the 2.4 GHz wireless connector into your computer's USB port.

Once connected, your mouse is ready to use and will enter sleep mode when inactive.

### WARNING: TO AVOID BATTERY LEAKAGE

1. Requires 2 (two) 1.5V AAA Battery (not included).
2. The batteries used with this product are small parts and should be kept away from small children who still put things in their mouths. If they are swallowed, promptly see a doctor and have the doctor phone American Association of Poison Control Centers [1-800-222-1222](tel:1-800-222-1222)).
3. Always purchase the correct size and grade of battery most suitable for intended use.
4. Do not mix old and new batteries, alkaline, standard (Carbon-Zinc) or rechargeable (Nickel-cadmium) batteries.
5. Clean the battery contacts and those of the device prior to battery installation.
6. Ensure the batteries are installed correctly with the regard to polarity (+ and -)
7. Always remove batteries if consumed or if product is to be left unused for a long time.

### WARNING

- This is not a toy keep away from children under 6 years of age.
- Keep away from heat and open flames.
- Do not attempt to disassemble or reassemble this device.
- Device may get warm during extended use.

**UP-TECH®**

©2025 UP-TECH/MWA. All rights reserved.

UP-TECH and the UP-TECH logo are trademarks of UP-TECH/MWA.

DISTRIBUTED: Milife Accessories LLC

1 East 33rd Street 2th Floor. New York, NY 10016

DESIGNED AND ENGINEERED IN USA.

MADE RESPONSIBLY IN CHINA



## Documents / Resources

A small thumbnail image showing the cover of the user manual for the WP-TECH mouse.	<p><a href="#">WP-TECH 2BNAF1750 Luxe Ergonomic Mouse [pdf]</a> User Manual 2BNAF1750, 1750, 2BNAF1750 Luxe Ergonomic Mouse, Luxe Ergonomic Mouse, Ergonomic Mouse, Mouse</p>
-------------------------------------------------------------------------------------	-----------------------------------------------------------------------------------------------------------------------------------------------------------------------------------

## References

- [User Manual](#)

WP-TECH

1750, 2BNAF1750, 2BNAF1750 Luxe Ergonomic Mouse, Ergonomic Mouse, Luxe Ergonomic Mouse, mouse, WP-TECH

---

## Leave a comment

Your email address will not be published. Required fields are marked \*

Comment \*

Name

Email

Website

Save my name, email, and website in this browser for the next time I comment.

**Post Comment**

**Search:**

e.g. whirlpool wrf535swhz

**Search**

[Manuals+](#) | [Upload](#) | [Deep Search](#) | [Privacy Policy](#) | [@manuals.plus](#) | [YouTube](#)

This website is an independent publication and is neither affiliated with nor endorsed by any of the trademark owners. The "Bluetooth®" word mark and logos are registered trademarks owned by Bluetooth SIG, Inc. The "Wi-Fi®" word mark and logos are registered trademarks owned by the Wi-Fi Alliance. Any use of these marks on this website does not imply any affiliation with or endorsement.