

# EUREKA

## Deluxe Enviro Steamer™

Household Type

## Floor Steamer Owner's Guide 310 Series



### INDEX

Important Safeguards.....	2
Service Information .....	5
Use & Assembly .....	6-9
Maintaining .....	9
Problem Solving .....	10
Warranty .....	11-12
Customer Order Form .....	13

For location of nearest Eureka  
Warranty Station or Service  
Information, call 1-800-282-2886.

### IMPORTANT

Do not return this  
product to the store.

For assembly problems or  
questions contact: Eureka's  
Customer Service Division  
toll free at 1-800-282-2886\*, 7  
a.m. to 8 p.m., Central Standard  
Time, Monday through Saturday.

For replacement of broken or  
missing items to be shipped  
direct to you, call 1-800-438-  
7352\*, 8 a.m. to 4:45 p.m.,  
Central Standard Time,  
Monday through Friday.

\*En México llame al 254 23 52

[www.eureka.com](http://www.eureka.com)

# IMPORTANT SAFEGUARDS

When using an electrical appliance, basic precautions should always be followed, including the following:

READ ALL INSTRUCTIONS BEFORE USING THIS STEAM CLEANER.

## WARNING

To reduce the risk of fire, electric shock, or injury:

- Do not use outdoors.
- Do not leave steam cleaner when plugged in. Turn off the switch and unplug the electrical cord when not in use and before servicing.
- Do not allow to be used as a toy. Close attention is necessary when used near children, pets or plants.
- Use only as described in this manual. Use only manufacturer's recommended accessories.
- Do not use with damaged cord or plug. If steam cleaner is not working as it should, has been dropped, damaged, left outdoors, or dropped into water, return it to a service center before using.
- Do not pull or carry by cord, use cord as a handle, close a door on cord, or pull cord around sharp edges or corners. Keep cord away from heated surfaces.
- Do not use extension cords or outlets with inadequate current carrying capacity.
- Turn off all controls before unplugging from electrical outlet.
- Do not unplug by pulling on cord. To unplug, grasp the plug, not the cord.
- Do not handle plug or steam cleaner with wet hands or operate without shoes.
- Do not put any object into openings. Do not use with any opening blocked.
- Do not use without floorcloth in place.
- Do not use on stairs.
- Store your steam cleaner indoors in a cool, dry area.
- Keep your work area well lighted.
- **Never turn the appliance over or on its side when using steam. Never direct steam towards people, animals or plants.**
- Do not immerse the steam cleaner into water or other liquids. Always unplug the power cord from the electrical socket when filling the steam cleaner.
- **Never put descaling, aromatic, alcoholic or detergent products into the steam cleaner, as this may damage it or make it unsafe for use.**
- Before filling, proceed as follows: 1) turn off the steam cleaner, (2) unplug the power supply, 3) slowly unscrew cap (see page 6, item D) and wait 5 seconds before removing.

## SAVE THESE INSTRUCTIONS

# CONSEILS DE SÉCURITÉ

Lors de l'utilisation d'un appareil électrique, quelques précautions élémentaires doivent être observées, incluant les suivantes:

**LISEZ TOUTES LES INSTRUCTIONS AVANT D'UTILISER  
VOTRE NETTOYEUR À VAPEUR.**

## AVERTISSEMENT

Pour réduire le risque de feu, de choc électrique ou de blessure:

- Ne pas utiliser le nettoyeur à vapeur à l'extérieur.
- Ne pas laisser le nettoyeur à vapeur seul quand il est branché. Mettre l'interrupteur sur arrêt et débrancher le nettoyeur à vapeur lorsque vous ne l'utilisez pas ou avant l'entretien.
- Ne pas permettre que le nettoyeur à vapeur soit utilisé comme un jouet. Une attention particulière est nécessaire lorsqu'il est utilisé par ou près d'un enfant, animales ou plantes.
- Suivre strictement les recommandations d'utilisation de ce manuel. Utiliser uniquement les accessoires recommandés par le fabricant.
- Ne jamais utiliser le nettoyeur à vapeur si le cordon ou la fiche sont endommagés. Si le nettoyeur à vapeur ne fonctionne pas comme il le devrait, s'il a été échappé, s'il est endommagé, s'il a été laissé à l'extérieur ou échappé dans de l'eau, le retourner à un centre de service avant de l'utiliser.
- Ne pas tirer ou transporter le nettoyeur à vapeur par le cordon. Ne pas utiliser le cordon en guise de poignée. Ne pas fermer une porte sur le cordon ou tirer le cordon sur des bordures ou des coins pointus. Tenir le cordon à distance des surfaces chauffantes.
- Ne pas utiliser des cordons de rallonge ou des prises qui n'ont pas une capacité suffisante pour transporter le courant.
- Mettre sur arrêt tous les boutons de commande avant de débrancher.
- Ne pas débrancher le nettoyeur à vapeur en tirant sur le cordon. Pour débrancher saisir la fiche et non pas le cordon.
- Ne pas manipuler la fiche ou le nettoyeur à vapeur avec les mains mouillées ou faire fonctionner pieds nus.
- Ne rien insérer dans les ouvertures. Ne pas utiliser si des ouvertures sont bloquées.
- Ne pas utiliser le nettoyeur à vapeur sans que le tissu pour protéger le plancher soit mis en place.
- Ne pas utiliser le nettoyeur à vapeur sur des escaliers.
- Entreposer votre nettoyeur à vapeur à l'intérieur, dans un endroit propre et sec.
- Maintenir un bon éclairage à l'endroit où vous travaillez.
- **Ne jamais retourner l'appareil, ou le mettre sur son côté lors de l'emploi de la vapeur. Ne jamais diriger la vapeur vers une personne, un animal ou une plante.**
- Ne pas immerger le nettoyeur à vapeur dans de l'eau, ou d'autres liquides. Toujours débrancher le cordon électrique de la prise lors de remplissage du nettoyeur.
- **Ne jamais mettre des produits détartrants, aromatiques, alcooliques ou détergents dans le nettoyeur à vapeur. Ceux-ci peuvent l'abîmer ou le rendre dangereux à utiliser.**
- Avant de remplir, faire le suivant : 1) mettre le nettoyeur à vapeur sur arrêt, 2) débrancher le cordon électrique, 3) dévisser lentement le bouchon (D), attendre 5 seconds avant d'enlever.

## CONSERVEZ CES INSTRUCTIONS

## GROUNDING INSTRUCTIONS

This appliance must be grounded. If it should malfunction or breakdown, grounding provides a path of least resistance for electric current to reduce the risk of electric shock. This appliance is equipped with a cord having an equipment-grounding conductor and grounding plug. The plug must be inserted into an appropriate outlet that is properly installed and grounded in accordance with all local codes and ordinances.

### Instructions Visant la Mise à la Terre

Cet appareil doit être mis à la terre. En cas de défaillance ou de panne éventuelles, la mise à la terre fournit au courant un chemin de moindre résistance qui réduit le risque de choc électrique. Cet appareil est pourvu d'un cordon muni d'un conducteur de terre et d'une fiche avec broche de terre. La fiche doit être branchée dans une prise appropriée correctement installée et mise à la terre conformément aux règlements et ordonnances municipaux.

## DANGER

Improper connection of the equipment-grounding conductor can result in a risk of electric shock. Check with a qualified electrician or service person if you are in doubt as to whether the outlet is properly grounded. Do not modify the plug provided with the appliance - if it will not fit the outlet, have a proper outlet installed by a qualified electrician.

### AVERTISSEMENT

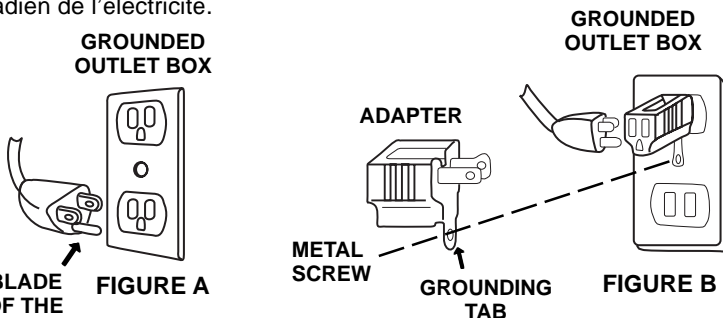
Un conducteur de terre mal raccordé peut entraîner un risque de choc électrique. Consulter un électricien ou un technicien d'entretien qualifié si vous n'êtes pas certain que la prise est correctement mise à la terre. Ne pas modifier la fiche fournie avec l'appareil - si elle ne peut être insérée dans la prise, faire installer une prise adéquate par un électricien qualifié.

This appliance is for use on a nominal 120 volt circuit and has a grounding plug that looks like the plug illustrated in Figure A. A temporary adapter which looks like the adapter illustrated in Figure B may be used to connect this plug to a two-pole receptacle, as shown, if a properly grounded outlet is not available. The temporary adapter should be used only until a properly grounded outlet, Figure A, can be installed by a qualified electrician. The green colored rigid ear, lug, or the like extending from the adapter must be connected to a permanent ground such as a properly grounded outlet box cover. Whenever the adapter is used, it must be held in place by a metal screw.

**NOTE: In Canada, the use of a temporary adapter is not permitted by the Canadian Electrical Code.**

Cet appareil est destiné à un circuit de 120 V et est muni d'une fiche de mise à la terre semblable à celle illustrée par le Figure A. S'assurer que l'appareil est branché à une prise de courant ayant la même configuration que la fiche. Aucun adaptateur ne devrait être utilisé avec cet appareil.

**Note.** Au Canada, l'utilisation d'un adaptateur temporaire n'est pas autorisée par le Code canadien de l'électricité.



# GENERAL INFORMATION

The steamer is designed as a complete change from old methods of manual floor cleaning. This appliance is designed to obtain excellent floor cleaning and effective sterilization of these surfaces.

## Service Information

The instructions in this booklet serve as a guide to routine maintenance. For additional service information telephone our toll free number for the nearest Eureka Authorized Warranty Station. **You should know the model and type numbers when you call:**

**USA: 1-800-282-2886**  
**Mexico: 254 23 52**  
**Canada: 1-800-282-2886**

If you prefer, you can write to The Eureka Company, Service Division, 807 North Main Street, Bloomington, Illinois 61701, USA. In Canada write to The Eureka Company, 866 Langs Drive, Cambridge, Ontario N3H 2N7. Refer to The Eureka Warranty for complete service information.

## Rating Plate

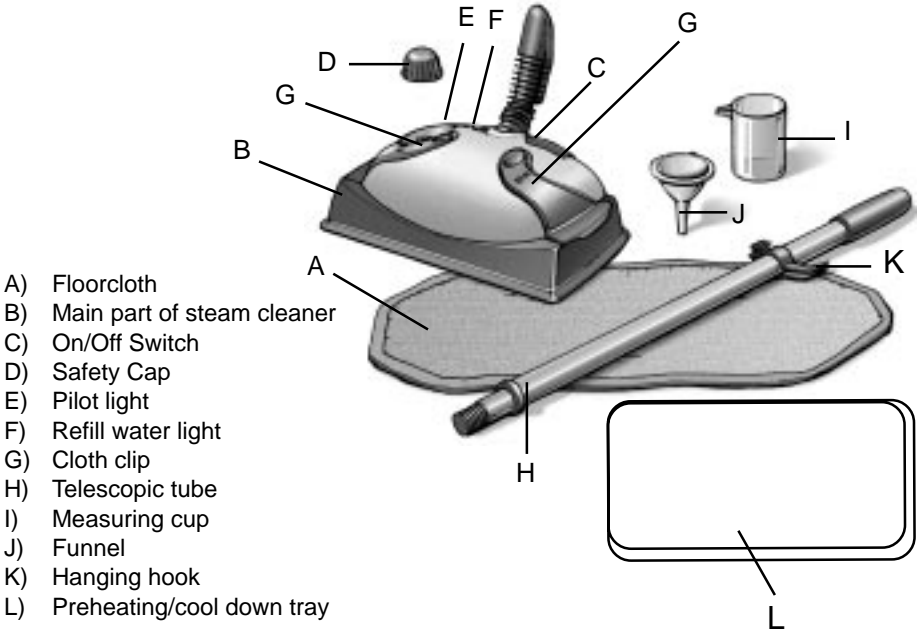
The model and type are indicated on the rating plate located on the back side of the cleaner under the handle. For prompt and complete service information, always refer to these numbers when inquiring about service.

MODEL	TYPE	
VOLTS	AMPS.	HERTZ
SERVICE INFORMATION: 1-800-282-2886		
<b>THE EUREKA COMPANY</b>		
BLOOMINGTON, ILLINOIS 61701		

**Model & Type** \_\_\_\_\_

**Serial No.** \_\_\_\_\_

## DESCRIPTION OF THE DELUXE ENVIRO STEAMER



## MAIN FEATURES OF THE DELUXE ENVIRO STEAMER

Thank you for having chosen our product and allow us to congratulate you for having purchased the Eureka Deluxe Enviro Steamer.

The Eureka Deluxe Enviro Steamer achieves a high degree of hygienic and degreasing power on floors. It turns water into steam in just a few minutes, so when contact is made with surfaces dirt and grime is removed.

**Since the Eureka Deluxe Enviro Steamer uses the active power of steam without the use of detergents or soap, it is safe for the environment.**

The Deluxe Enviro Steamer is a new way of cleaning that is effective and hygienic.

The Eureka Deluxe Enviro Steamer does not allow calcium deposits to adhere to the boiler and does not require distilled water. Areas with hard water should use distilled water for better performance. See the maintenance section for care.

## Other Advantages of the Eureka Deluxe Enviro Steamer

The Eureka Deluxe Enviro Steamer can kill dust mites and some types of bacteria, such as salmonella and E-coli when used properly.

To disinfect a specific area, position the steamer over the area for a minimum of eight seconds. This allows the floor under the steamer to reach approximately 170°F. Use this procedure to disinfect **floors** near: bathroom stools, food preparation areas (not on kitchen counters), pet sleeping quarters, etc.

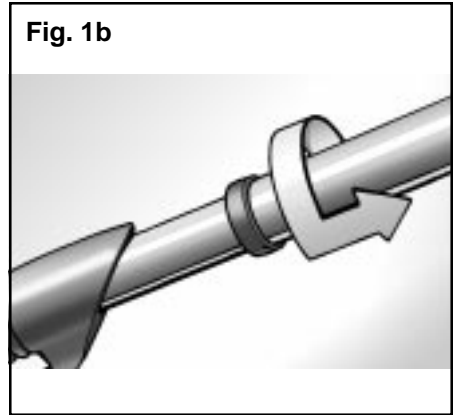
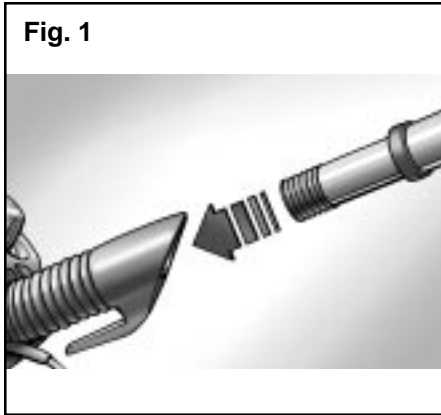
# INSTRUCTIONS FOR USE

The Eureka Deluxe Enviro Steamer is designed to thoroughly clean floor surfaces, such as marble, ceramic, stone, linoleum, sealed hard wood floors and parquet.

**WARNING:** On surfaces that have been treated with wax or some no wax floors, the sheen may be removed by the heat and steam action. Do not use on unsealed wood floors or let unit stand on any wood floor for an extended period of time. This could cause the woodgrain to rise.

It is therefore recommended that a sample cleansing be carried out on an isolated area of the floor. Also, check use and care instructions from the floor manufacturer.

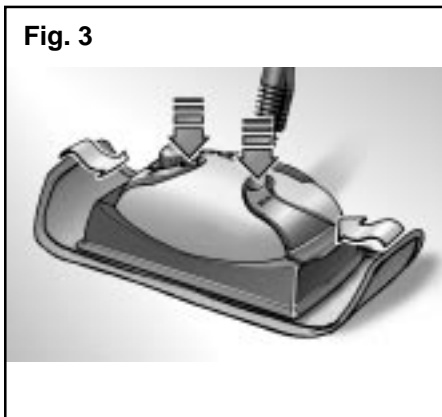
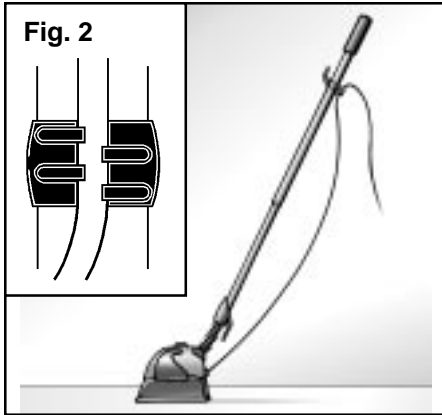
## HOW TO ASSEMBLE AND USE



1. After having taken the appliance out of its box, screw the telescopic tube onto the main part of the appliance (Fig. 1). Then turn the two ends and pull them out to the desired length. Lock in the upper part by turning clockwise (Fig. 1b).

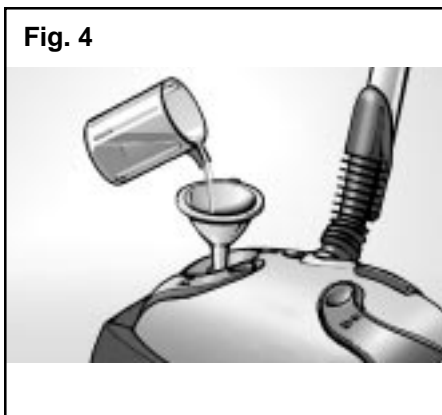
**Do not plug unit into an electrical outlet until Step 5.**

## HOW TO ASSEMBLE AND USE (continued)



2. Secure the cable onto its hook at the top of the tube (Fig. 2). Wrap cord for storage (Fig. 2a).
3. Rest the base of the Enviro Steamer on its floorcloth as supplied, making sure that the edges are secured over the base (Fig. 3). **Then tuck both ends of the floor cloth under the cloth clips. Do not use without a floorcloth in place.**

**CAUTION: Floorcloth grippers have sharp teeth.**



4. Unscrew the safety cap (D), insert funnel (J) and pour 2 measures of water using the measuring cup (I) (total 12 oz.) into the tank, then screw the safety cap back on.

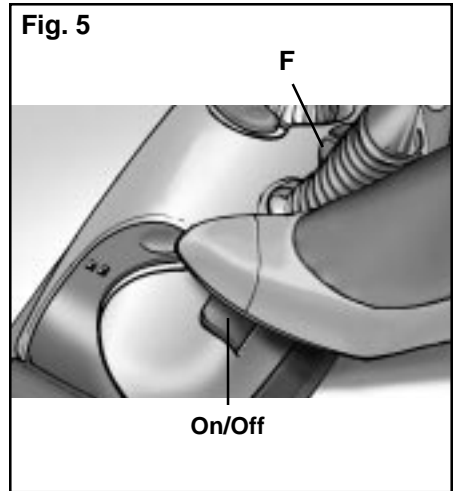
**NOTE: Do not overfill.**

5. Now, plug the unit into an electrical outlet.



## HOW TO ASSEMBLE AND USE (continued)

6. Place the Deluxe Enviro Steamer on its preheating/cool down tray then press on/off switch and wait for about 3-4 minutes (Fig. 5). Do not leave the device unattended during the waiting period. **CAUTION: Do not leave the device standing on the floor. If you notice the formation of a whitish “halo,” it may be removed using a normal decalcifying product or with a few drops of vinegar.**
7. As soon as Deluxe Enviro Steamer emits steam, begin using it, passing slowly over the surfaces to be cleaned. This is the ideal method for thoroughly cleaning your floor. To disinfect specific areas of the floor, leave the steamer over the spot for a minimum of eight seconds, but no more than 15 seconds.



**WARNING: Never turn the floor steamer over, or on its side when using steamer, or direct steam at any person, animal, or plants. Use only on floors.**

8. When Deluxe Enviro Steamer no longer emits steam the water refill light (F) will come on. This means that there is no more water (this will happen after approximately 15 minutes of use). Place appliance on preheating/cool down tray, turn off (Fig. 5) and unplug from the electrical outlet. Take off the safety cap, and refill. During refilling, be careful not to touch the hot parts of the device. **CAUTION: Safety cap and floorcloth may be hot.**
9. Replace safety cap, turn your Deluxe Enviro Steamer on again and steam will start to be produced as before.
10. After each use, rinse the floorcloth in running water and line dry. It may shrink if put in a clothes dryer.  
**CAUTION: Whenever changing the floorcloth, turn off the appliance (Fig. 5) and unplug. Be careful not to touch the hot parts of the device.**
11. After use, wind the power cord around the cord hooks (Fig. 2a) before putting the appliance away.
12. Always empty leftover water prior to storage.

## CLEANING AND MAINTENANCE

**NOTE: The unit must be turned off and unplugged from the electrical outlet and allowed to cool down before all cleaning and maintenance tasks.**

In order to guarantee perfect functioning over a long period of time the tank needs to be rinsed out with water once a month to eliminate any accumulated calcium deposits. **Do not use vinegar or other decalcifying substances.** Put in two measures of water, replace the safety cap and shake to loosen deposits. Remove safety cap and immediately empty water into a sink. **CAUTION: Do not immerse the unit in water.**

The Eureka Deluxe Enviro Steamer should be used with its own specially developed floorcloths (spare floorcloths are available from your Eureka retailer).

# PROBLEM SOLVING

**NOTE: Turn OFF the power switch and unplug the electrical cord before servicing.**

PROBLEM	CAUSE	SOLUTION
Appliance won't start	<input checked="" type="checkbox"/> Electric plug  <input checked="" type="checkbox"/> Power switch not turned "ON"  <input checked="" type="checkbox"/> No water in tank	<input type="checkbox"/> Push plug securely into outlet. <input type="checkbox"/> Try another outlet. <input type="checkbox"/> Check circuit breaker. <input type="checkbox"/> Make sure power switch is "ON."  <input type="checkbox"/> Check the tank for water.
Appliance won't make steam	<input checked="" type="checkbox"/> No water in tank	<input type="checkbox"/> Check the tank for water.
Appliance leaves water on the floor	<input checked="" type="checkbox"/> Floorcloth is too wet  <input checked="" type="checkbox"/> Appliance did not remain flat on surface while turned on.	<input type="checkbox"/> Change floorcloth. <input type="checkbox"/> If wood floor, dry the floor before proceeding.  <input type="checkbox"/> Too much water in tank. Do not overfill.  <input type="checkbox"/> Turn off, unplug from electrical outlet, change floorcloth and reheat appliance.
Appliance leaves a whitish halo on vinyl floor	<input checked="" type="checkbox"/> Left in one spot too long	<input type="checkbox"/> Remove with a few drops of vinegar.  <input type="checkbox"/> If above step doesn't remove halo, then reheat area for approx. 10 seconds and discoloration will be removed. Do not overheat area.
General questions	<input checked="" type="checkbox"/> Assembly or related accessories	<input type="checkbox"/> Call 1-800-438-7352 between 8:00 AM–4:45 PM Monday through Friday, central standard time. Know the Model and Type numbers when you call.

# THE EUREKA LIMITED WARRANTY

## *What This Warranty Covers*

Your Eureka cleaner is warranted to be free from all defects in material and workmanship in normal household use for a period of one year. The warranty is granted only to the original purchaser and members of his or her immediate household. The warranty is subject to the following provisions.

## *What This Warranty Does Not Cover*

- Parts of the cleaner that require replacement under normal use.
- Damages or malfunctions caused by negligence, abuse, or use not in accordance with the Owner's Guide.
- Defects or damages caused by unauthorized service or the use of other than Genuine Eureka parts.

## *What The Eureka Company Will Do*

The Eureka Company will, at its option, repair or replace a defective cleaner or cleaner part that is covered by this warranty. As a matter of warranty policy, the Eureka Company will not refund the consumer's purchase price.

## *Warranty Registration*

Please fill out and return the warranty registration card accompanying your cleaner.

## *Obtaining Warranty Service*

To obtain warranty service you must return the defective cleaner or cleaner part along with proof of purchase to any Eureka Authorized Warranty Station. You will find the nearest location in the Yellow Pages, under "Vacuum Cleaners—Service and Repair." Be certain that the Warranty Station is "Eureka Authorized." For the location of the nearest Eureka Authorized Warranty Station or for service information, telephone toll free:

**USA: 1-800-282-2886**

**Mexico: 254 23 52**

**Canada: 1-800-282-2886**

If you prefer, you can write to The Eureka Company, Service Division, 807 North Main Street, Bloomington, Illinois 61701, USA. In Canada write to The Eureka Company, 866 Langs Drive, Cambridge, Ontario N3H 2N7.

If it is necessary to ship the cleaner outside your community to obtain warranty repair, you must pay the shipping charges to the Eureka Authorized Warranty Station. Return shipping charges will be paid by the Warranty Station. When returning parts for repair, please include the model, type, and serial numbers from the data plate on the cleaner.

## *Further Limitations and Exclusions*

Any warranty that may be implied in connection with your purchase or use of the cleaner, including any warranty of Merchantability or any warranty for Fitness For A Particular Purpose is limited to the duration of this warranty. Some states do not allow limitations on how long an implied warranty lasts, so the above limitations may not apply to you.

Your relief for the breach of this warranty is limited to the relief expressly provided above. In no event shall Eureka be liable for any consequential or incidental damages you may incur in connection with your purchase or use of the cleaner. Some states do not allow the exclusion or limitation of incidental or consequential damages, so the above limitation or exclusion may not apply to you.

This warranty gives you specific legal rights. You may also have other rights which vary by state.



## *Questions & Answers about Genuine Eureka Products*

**Q:** Why should I use only Genuine Eureka paper bags, belts, and parts in my Eureka product?

**A:** Using Genuine Eureka Products, which are made to our exacting specifications and engineered with emphasis on quality, performance, and customer satisfaction, ensures the long life and cleaning efficiency of your Eureka product. Overall, this saves you money and helps to keep your home clean.

**Q:** How can I be sure I am using only Genuine Eureka products in my product?

**A:** Typically, packaged products can be identified by a "Genuine Eureka Product" symbol (see illustration above). For further identification assistance, you may call our toll-free number, 1-800-282-2886, for the location of a nearby Eureka Authorized Warranty Station.

**Q:** Are there any differences between "made to fit" or "imitation" and Genuine Eureka parts?

**A:** Yes, there are some very important differences in materials, quality, and reliability. Many customers have mistakenly purchased "imitation" parts while thinking they purchased genuine. Unfortunately, many of these customers discovered the differences after they experienced related difficulties.

**For Genuine Eureka Value, Accept No Imitations!**  
**THE EUREKA COMPANY**

Bloomington, Illinois 61701







