

## GARANTÍA LIMITADA POR UN AÑO

HoMedics vende sus productos con la intención de que no tengan defectos de fabricación ni de mano de obra por un plazo de un año a partir de la fecha de compra original, con las siguientes excepciones. HoMedics garantiza que sus productos no tendrán defectos de material ni de mano de obra bajo condiciones de uso y servicio normales. Esta garantía se extiende únicamente a consumidores y no a distribuidores.

Para obtener servicio para su producto HoMedics, envíe por correo el producto y su recibo de compra fechado (como comprobante de compra), con franqueo pago, a la siguiente dirección:

HoMedics Consumer Relations  
Service Center Dept. 168  
3000 Pontiac Trail  
Commerce Township, MI 48390

No se aceptarán pagos contra entrega.

HoMedics no autoriza a nadie, incluyendo, pero sin limitarse a, distribuidores, posteriores consumidores compradores del producto a un distribuidor, o compradores remotos, a obligar a HoMedics de forma alguna más allá de las condiciones aquí establecidas. La garantía de este producto no cubre daños causados por uso inadecuado o abuso, accidente, conexión de accesorios no autorizados, alteración del producto, instalación inadecuada, reparaciones o modificaciones no autorizadas, uso inadecuado de la fuente de energía/electricidad, cortes de energía, caída del producto, funcionamiento incorrecto o daño de una pieza de funcionamiento debido al no cumplimiento del mantenimiento recomendado por el fabricante, daños durante el transporte, robo, descuido, vandalismo, condiciones climáticas, pérdida de uso en el período durante el cual el producto está en una instalación de reparación o a la espera de piezas o reparación, o cualquier otra condición, sin importar cual sea, que se encuentre fuera del control de HoMedics.

Esta garantía es válida únicamente si el producto es comprado y operado en el país en el cual se compró el producto. Un producto que requiera modificaciones o adaptación para habilitar su funcionamiento en cualquier país que no sea aquél para el que fue diseñado, fabricado, aprobado y/o autorizado, o la reparación de productos dañados por estas modificaciones no están cubiertos bajo esta garantía.

LA GARANTÍA AQUÍ ESTABLECIDA SERÁ LA ÚNICA Y EXCLUSIVA GARANTÍA. NO HABRÁ NINGUNA OTRA GARANTÍA EXPRESA NI IMPLÍCITA, INCLUYENDO NINGUNA GARANTÍA DE COMERCIALIZACIÓN O APTITUD NI NINGUNA OTRA OBLIGACIÓN POR PARTE DE LA COMPAÑÍA CON RESPECTO A PRODUCTOS CUBIERTOS POR ESTA GARANTÍA. HOMEDICS NO TENDRÁ RESPONSABILIDAD ALGUNA POR NINGÚN DAÑO INCIDENTAL, CONSECUENTE NI ESPECIAL. BAJO NINGÚN CONCEPTO ESTA GARANTÍA REQUERIRÁ MÁS QUE LA REPARACIÓN O CAMBIO DE ALGUNA PIEZA O PIEZAS QUE SE HALLEN DEFECTUOSAS DENTRO DEL PERÍODO DE VIGENCIA DE ESTA GARANTÍA. NO SE EFECTUARÁN REEMBOLSOS. SI NO HAY PIEZAS DE REPUESTO DISPONIBLES PARA LOS MATERIALES DEFECTUOSOS, HOMEDICS SE RESERVA EL DERECHO DE REALIZAR SUSTITUCIONES EN VEZ DE REPARAR O CAMBIAR.

Esta garantía no se extiende a la compra de productos abiertos, usados, reparados, embalados otra vez y/o abiertos y vueltos a cerrar, incluyendo entre otras cosas la venta de dichos productos en sitios de remate por Internet y/o la venta de dichos productos por revendedores o mayoristas. Todas y cada una de las garantías cesarán y terminarán inmediatamente con respecto a cualquier producto o pieza del mismo que estén reparados, cambiados, alterados o modificados sin el consentimiento previo explícito y por escrito de HoMedics.

Esta garantía le proporciona derechos legales específicos. Es posible que usted tenga derechos adicionales que pueden variar de un país a otro. Debido a las regulaciones de ciertos países, es posible que algunas de las limitaciones y exclusiones no se apliquen en su caso.

Por más información con respecto a nuestra línea de productos en los EE.UU., visítenos en: [www.homedics.com](http://www.homedics.com)

## ILLUMINATED TABLETOP RELAXATION FOUNTAIN

# enviraScape™ RIVER BEND



**Instruction Manual and  
Warranty Information**

WFL-RVRB

El manual en español  
empieza en la página 9

**1** year  
limited warranty

## The sounds of nature soothe human nature

Thank you for purchasing EnviraScape, HoMedics' tabletop relaxation fountain. This, like the entire HoMedics product line, is built with high-quality craftsmanship to provide you with years of dependable service. We hope that you will find it to be the finest product of its kind.

EnviraScape enables you to create an all-encompassing environment with sound. The sound of flowing water enhances your environment by releasing negative ions, and promoting relaxation. Only EnviraScape offers you the luxury of these vital benefits with its creative design which adds beauty to any indoor environment.

## EnviraScape Features

### **Innovative, Artistic Design**

Enhances the environment at home or at work.

### **4 Water-flow Speeds**

Select the pace that meets your mood.

### **Durable Electrical Water Pump**

Can be operated from any indoor electrical outlet.

### **Easy to Assemble**

Assembles in minutes with simple, illustrated instructions.

## IMPORTANT SAFETY INSTRUCTIONS:

When using an electrical appliance, basic precautions should always be followed, including the following:

READ ALL INSTRUCTIONS BEFORE USING

**DANGER** - To reduce the risk of electric shock:

- Always unplug the appliance from the electrical outlet immediately after using and before cleaning.
- Do not reach for an appliance that has fallen into water. Unplug it immediately.
- Do not place or store appliance where it can fall or be pulled into a tub or sink. Do not place in or drop into water or other liquid.
- Do not connect to any voltage other than that shown on the pump.
- Do not pump flammable liquids.
- Do not use water above 90°F.

**CAUTION:**  
**The pump must be completely submerged in water. If the pump is making noises, most likely it is not completely submerged in water.**

**CAUTION:**  
**Only set the fountain and fountain parts on waterproof surfaces**

**WARNING** - To reduce the risk of burns, fire, electric shock or injury to persons:

- An appliance should never be left unattended when plugged in. Unplug from outlet when not in use and before putting on or taking off parts or attachments.
- Close supervision is necessary when this appliance is used by or near children, invalids or disabled persons.
- Use this appliance only for its intended use as described in this manual. Do not use attachments not recommended by HoMedics; specifically any attachments not provided with the unit.
- Never operate this appliance if it has a damaged cord, plug, pump, cable or housing. If it is not working properly, if it has been dropped or damaged, return it to HoMedics Service Center for examination and repair.
- Keep cord away from heated surfaces.
- Never drop or insert any object into any opening.
- Do not operate where aerosol (spray) products are being used or where oxygen is being administered.
- Do not carry this appliance by supply cord or use cord as handle.
- To disconnect, remove plug from outlet.
- This appliance is designed for indoor use only. Do not use outdoors.

## SAVE THESE INSTRUCTIONS

**Caution – Please read all instructions carefully before operating.**

- Never leave the appliance unattended, especially if children are present.
- Never cover the appliance when it is in operation.
- This unit should not be used by children without adult supervision.
- Connect the pump with the proper voltage as indicated on the pump label.
- Always keep the cord away from high temperature and fire.
- Unplug the pump from power source before cleaning, maintenance or disassembling.
- To get the best flowing effect, product must be placed on a flat surface and should never be placed on an electrical appliance.
- Never let pump run dry, as this will shorten life of the pump.
- Do not lift, carry, hang, or pull the pump by the power cord.
- Operate with freshwater only.
- Operate pump completely submerged for proper cooling.

**CAUTION CONTINUED**

- The electrical cord of this product cannot be replaced. If it sustains damage, you must stop using this product immediately and return it to the HoMedics Service Center for repair. (See the warranty section for HoMedics address.)
- Disconnect the appliance from outlet before putting hands into water.

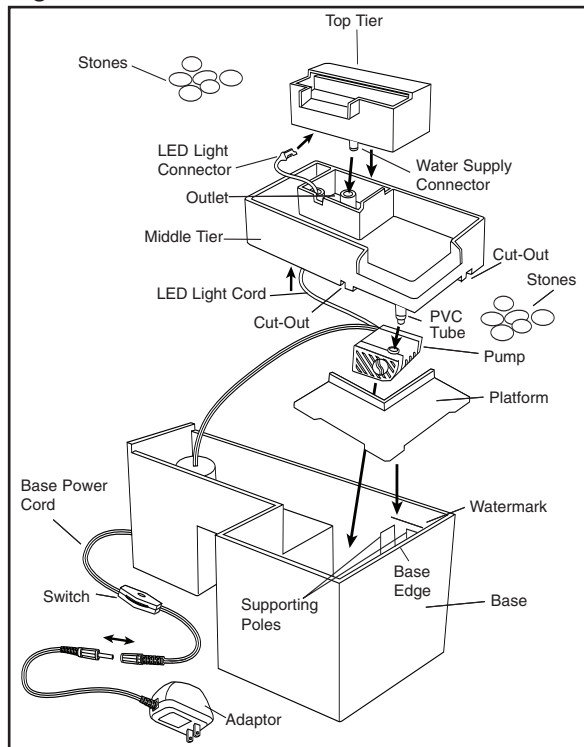
**Assembly and Instructions for Use**

1. Unpack the product. Wipe off dust with a damp cloth.
2. Familiarize yourself with the pump. The pump speed is controlled by the dial located at the front of the pump. The speed is indicated by a “min” and “max” (Fig 1). At its highest speed level, the dial will cease to move any further. To decrease the pump speed, move the dial counter-clockwise toward the “min” sign. Similarly, at its lowest speed, the dial will cease to move any further.
3. Lead the cord through the cord slot on the bottom of the base. This will ensure that the unit is balanced when placed on a flat surface. Attach the A/C adaptor jack to the base power cord. **DO NOT** plug into outlet at this time (Fig. 2).

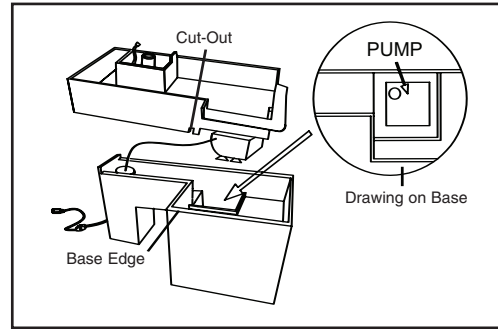
**Figure 1**



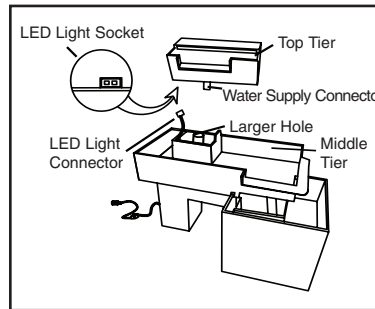
**Figure 2**



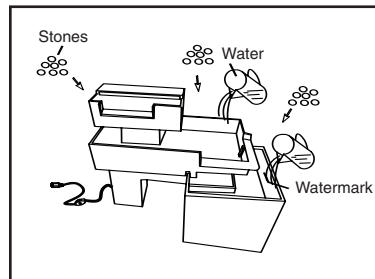
**Figure 3**



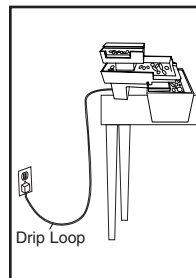
**Figure 4**



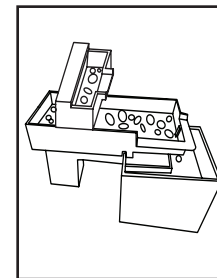
**Figure 5**



**Figure 6**



**Figure 7**



4. Place the platform on the supporting poles of the base (Fig. 2).
5. Insert the PVC tube located under middle tier into the pump (Fig. 2).
6. Insert the LED light cord through the small hole located under the middle tier (Fig. 2).
7. Align the cut-out at the bottom edge of middle tier with the edge of base so it sits flat on the base (Fig. 3). **NOTE:** Pump position should be corresponding to the drawing on base.
8. Insert the LED light connector into the LED light socket on the bottom of top tier, and then insert the water supply connector on the bottom of top tier into the larger hole of middle tier (Fig. 4).
9. Add clean water into middle tier (Approx. 10oz), and then into base (Approx. 56.5oz). The water level should be even with the watermark. Next, arrange the stones provided on top tier, middle tier and the platform as desired (Fig. 5).
10. Plug the cord into 120V household outlet. The fountain is controlled by the switch located on the power cord. If pump doesn't operate, rotate in-line switch once to turn "on" and once more to turn "off". **NOTE:** Ensure that the electrical cord loops below the electrical outlet to form a 'Drip Loop' (Fig. 6). This will prevent water from running down the cord into the electrical outlet.
11. As this product has two flowing directions, unplug the power source before changing fountain position. To do so, turn top tier counter clockwise 90 degrees. When water has stopped flowing from it, switch the fountain back on (Fig. 7).

## Maintenance

- **To clean the pump:**

Unplug from electrical outlet. Remove it from the base of the fountain. Use a small brush or stream of water to remove any debris (Fig 8).

- **To keep water clean:**

Periodically change water and clean the product according to the water condition. Keeping the water clean prevents the water from becoming sticky and forming micro-organisms.

- **To clean off hard water deposits on the base or rocks:**

Soak the container and rocks in a mixture of vinegar and water to clean and remove any mineral build-up.

- **Keeping the water at an optimum level:**

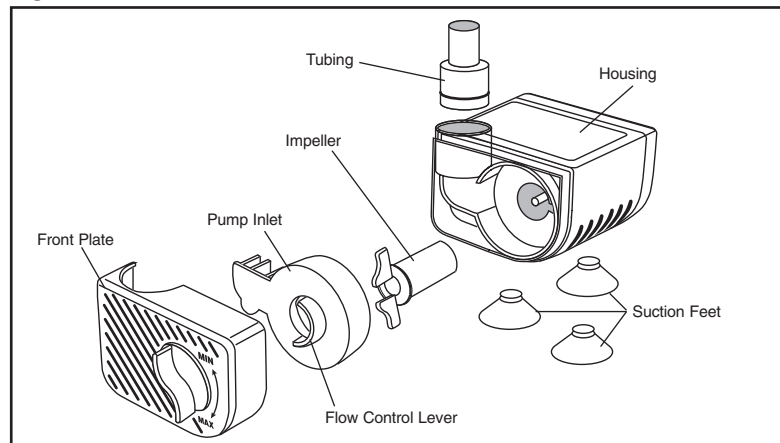
Add water periodically to keep water level at an optimum level to avoid shortening the life of the pump.

**NOTE:** Never let the pump run dry, as this will shorten the life of the pump.

- **Fountain Storage**

Unplug the fountain from the electrical outlet, empty the water, and store rocks and fountain in a dry, cool place.

Figure 8



## Troubleshooting

**Caution:**  
**All servicing of this fountain must be performed by authorized HoMedics service personnel only.**

**Attention:**  
**In order to get best results, please operate pump completely submerged. Keep the water level above the minimum water level ALL THE TIME.**

- **If the pump fails to operate, check the following:**

Check the circuit breaker, or try a different outlet to make sure the pump is getting electrical power. **NOTE:** Always disconnect from electrical outlet before handling the pump.

Check the pump discharge and tubing for kinks and obstructions. Algae build up can be flushed out with a garden hose.

Remove the pump inlet to access the impeller area. Turn the rotor to ensure it is not broken or jammed.

Monthly maintenance will add to your pump's life.

**NOTE:** Ensure that the electrical cord loops below the electrical outlet to form a 'Drip Loop'. This will prevent water from running down the cord into the electrical outlet.

- **If the pump gurgles, spews, or "burps":**

Check the water level to make sure the pump has enough water to function.

- **Obtaining a desired water level:**

Check the water level daily the first week to measure the rate of evaporation; refill with water as needed.

- **If water is splashing outside the fountain:**

Rocks that are hit by water and also touch the edge of the base will cause water to splash outside of the base and contribute to the splash factor. Expect some splash to occur as you get the rocks organized.

**If splash continues, adjust the flow control valve to a lower setting, and/or rearrange the river rocks by moving them away from the edge of the base.**

## LIMITED ONE YEAR WARRANTY

HoMedics sells its products with the intent that they are free of defects in manufacture and workmanship for a period of one year from the date of original purchase, except as noted below. HoMedics warrants that its products will be free of defects in material and workmanship under normal use and service. This warranty extends only to consumers and does not extend to Retailers.

To obtain warranty service on your HoMedics product, mail the product and your dated sales receipt (as proof of purchase), postpaid, to the following address:

HoMedics Consumer Relations  
Service Center Dept. 168  
3000 Pontiac Trail  
Commerce Township, MI 48390

No COD's will be accepted.

HoMedics does not authorize anyone, including, but not limited to, Retailers, the subsequent consumer purchaser of the product from a Retailer or remote purchasers, to obligate HoMedics in any way beyond the terms set forth herein. This warranty does not cover damage caused by misuse or abuse; accident; the attachment of any unauthorized accessory; alteration to the product; improper installation; unauthorized repairs or modifications; improper use of electrical/power supply; loss of power; dropped product; malfunction or damage of an operating part from failure to provide manufacturer's recommended maintenance; transportation damage; theft; neglect; vandalism; or environmental conditions; loss of use during the period the product is at a repair facility or otherwise awaiting parts or repair; or any other conditions whatsoever that are beyond the control of HoMedics.

This warranty is effective only if the product is purchased and operated in the country in which the product is purchased. A product that requires modifications or adoption to enable it to operate in any other country than the country for which it was designed, manufactured, approved and/or authorized, or repair of products damaged by these modifications is not covered under this warranty.

THE WARRANTY PROVIDED HEREIN SHALL BE THE SOLE AND EXCLUSIVE WARRANTY. THERE SHALL BE NO OTHER WARRANTIES EXPRESS OR IMPLIED INCLUDING ANY IMPLIED WARRANTY OF MERCHANTABILITY OR FITNESS OR ANY OTHER OBLIGATION ON THE PART OF THE COMPANY WITH RESPECT TO PRODUCTS COVERED BY THIS WARRANTY. HOMEDICS SHALL HAVE NO LIABILITY FOR ANY INCIDENTAL, CONSEQUENTIAL OR SPECIAL DAMAGES. IN NO EVENT SHALL THIS WARRANTY REQUIRE MORE THAN THE REPAIR OR REPLACEMENT OF ANY PART OR PARTS WHICH ARE FOUND TO BE DEFECTIVE WITHIN THE EFFECTIVE PERIOD OF THE WARRANTY. NO REFUNDS WILL BE GIVEN. IF REPLACEMENT PARTS FOR DEFECTIVE MATERIALS ARE NOT AVAILABLE, HOMEDICS RESERVES THE RIGHT TO MAKE PRODUCT SUBSTITUTIONS IN LIEU OF REPAIR OR REPLACEMENT.

This warranty does not extend to the purchase of opened, used, repaired, repackaged and/or resealed products, including but not limited to sale of such products on Internet auction sites and/or sales of such products by surplus or bulk resellers. Any and all warranties or guarantees shall immediately cease and terminate as to any products or parts thereof which are repaired, replaced, altered, or modified, without the prior express and written consent of HoMedics.

This warranty provides you with specific legal rights. You may have additional rights which may vary from country to country. Because of individual country regulations, some of the above limitations and exclusions may not apply to you.

For more information regarding our product line in the USA, please visit: [www.homedics.com](http://www.homedics.com)

Mail To:

HoMedics  
Consumer Relations  
Service Center Dept. 168  
3000 Pontiac Trail  
Commerce Township, MI  
48390

e-mail:  
[cservice@homedics.com](mailto:cservice@homedics.com)

phone:  
800-466-3342

FUENTE DE RELAJACIÓN ILUMINADA PARA MESA

enviraScape™ RIVER BEND



Manual de instrucciones  
e Información de garantía

WFL-RVRB

1 año de  
garantía limitada

## Los sonidos de la naturaleza alivian la naturaleza humana

Gracias por comprar la fuente de relajación para mesa EnviraScape de HoMedics. Éste, al igual que toda la línea de productos HoMedics, está fabricado con mano de obra de alta calidad para brindarle años de servicio confiable. Esperamos que lo encuentre como el mejor producto de su clase.

EnviraScape le permite crear un ambiente completo con sonido. El sonido del agua fluyendo realza su ambiente liberando iones negativos e incentivando la relajación. Sólo EnviraScape le ofrece el lujo de estos beneficios vitales con su creativo diseño que agrega belleza a cualquier ambiente interior.

## Características de EnviraScape

### Diseño artístico e innovador

Realza el ambiente en su hogar o en el trabajo.

### 4 velocidades de flujo de agua

Seleccione el ritmo que se ajuste a su estado de ánimo.

### Bomba de agua eléctrica de gran duración

Se puede hacer funcionar desde cualquier tomacorriente eléctrico de interiores.

### Fácil de armar

Se arma en minutos con instrucciones simples e ilustradas.

## IMPORTANTES INSTRUCCIONES DE SEGURIDAD:

Cuando utiliza un artefacto eléctrico, siempre se deben seguir ciertas precauciones básicas, incluyendo lo siguiente:

LEA TODAS LAS INSTRUCCIONES ANTES DE USAR

## PELIGRO

- Para reducir el riesgo de choque eléctrico:

- Siempre desenchufe el artefacto del tomacorriente inmediatamente después de usarlo y antes de limpiarlo.
- No intente tomar un artefacto que haya caído al agua. Desenchúfelo de inmediato.
- No coloque ni guarde un artefacto donde pueda caerse o ser tirado hacia una tina o lavamanos. No lo coloque ni lo deje caer en agua ni en ningún otro líquido.
- No la conecte a ningún otro voltaje que no sea que el se muestra en la bomba.
- No bombee líquidos inflamables.
- No la use con agua a una temperatura superior a los 90°F.

**PRECAUCIÓN:**  
**La bomba debe estar totalmente sumergida en agua. Si la bomba hace ruido, lo más probable es que no esté totalmente sumergida en el agua.**

**PRECAUCIÓN:**  
**Coloque la fuente y las piezas de la fuente únicamente sobre superficies impermeables.**

**ADVERTENCIA** - Para reducir el riesgo de quemaduras, incendio, choque eléctrico o lesiones a las personas:

- Un artefacto nunca debe ser dejado sin atención cuando está enchufado. Desenchúfelo del tomacorriente cuando no lo esté usando y antes de colocar o quitar piezas o accesorios.
- Es necesaria una supervisión estricta cuando lo usan niños o personas inválidas o incapacitadas o cuando está próximo a ellos.
- Utilice este artefacto sólo para el uso para el cual está diseñado y como se describe en este manual. No use accesorios no recomendados por HoMedics, específicamente ningún accesorio no proporcionado con la unidad.
- Nunca haga funcionar este aparato si tiene el cordón, el enchufe, la bomba el cable o el armazón dañado. Si no está funcionando adecuadamente, si se ha caído o dañado, envíelo al Centro de servicio de HoMedics para que sea examinado y reparado.
- Mantenga el cable alejado de superficies calientes.
- Nunca lo deje caer ni inserte objetos en ninguna abertura.
- No lo haga funcionar donde se utilizan productos de rociado por aerosol o donde se está administrando oxígeno.
- No lleve este artefacto tomado del cable, ni use el cable como manija.
- Para desconectarlo, quite el enchufe del tomacorriente.
- Este artefacto está diseñado únicamente para usarlo en interiores. No lo use en exteriores.

## GUARDE ESTAS INSTRUCCIONES

**Precaución – Sírvase leer todas las instrucciones con atención antes de poner en funcionamiento.**

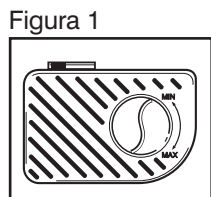
- Nunca deje el artefacto sin vigilancia, especialmente si hay niños presentes.
- Nunca cubra el artefacto mientras está en funcionamiento.
- Esta unidad no debe ser usada por niños sin la supervisión de un adulto.
- Conecte la bomba con el voltaje adecuado según se indica en la etiqueta de la bomba.
- Siempre mantenga el cordón alejado de las temperaturas altas.
- Desenchufe la bomba de la fuente de energía antes de limpiar, realizar el mantenimiento o desarmar.
- Para obtener el mejor efecto de flujo, se debe colocar el producto sobre una superficie plana y nunca se lo debe colocar sobre un artefacto eléctrico.
- Nunca deje que la bomba funcione sin agua, ya que esto acortará la vida de la bomba.
- No levante, lleve, cuelgue ni tire de la bomba tomándola del cable de corriente.
- Haga funcionar con agua dulce solamente.
- Haga funcionar la bomba completamente sumergida para lograr un enfriamiento adecuado.

**PRECAUCIÓN CONTINUACIÓN**

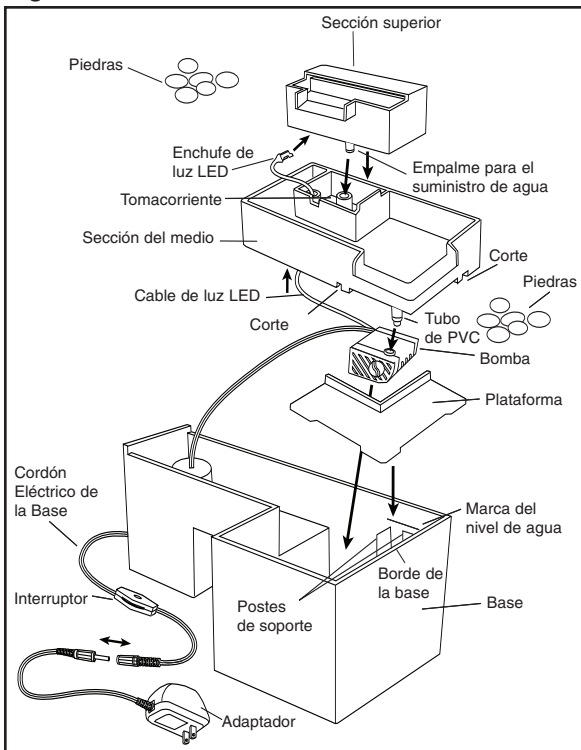
- El cable de corriente de este producto no puede ser reemplazado. Si presenta daños, debe dejar de usar este producto de inmediato y enviarlo al Centro de servicio de HoMedics para su reparación. (Consulte la sección de garantía para obtener la dirección de HoMedics.)
- Desconecte el artefacto del tomacorriente antes de poner sus manos en el agua.

**Armado e instrucciones de uso**

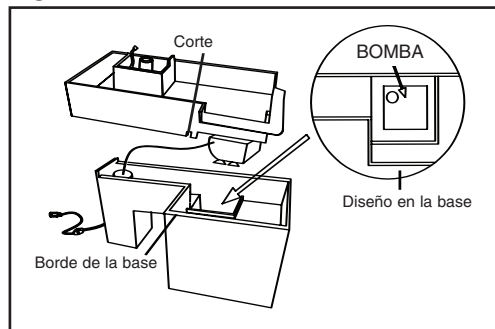
1. Desempaque el producto. Quite el polvo con un paño húmedo.
2. Familiarícese con la bomba. La velocidad de la bomba es controlada por el interruptor ubicado en la parte delantera de la bomba. La velocidad está indicada por un signo de más "max" y uno de menos "min" (Fig 1). A su nivel máximo de velocidad, el interruptor se detendrá. Para disminuir la velocidad de la bomba, mueva el interruptor en sentido antihorario en la dirección del signo de menos "min". De la misma forma, en su velocidad menor, el interruptor se detendrá.



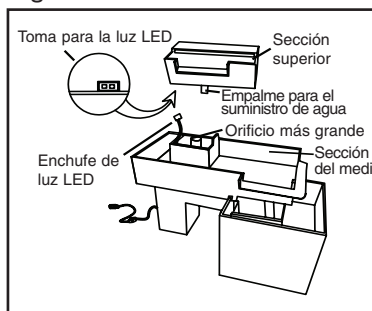
**Figura 2**



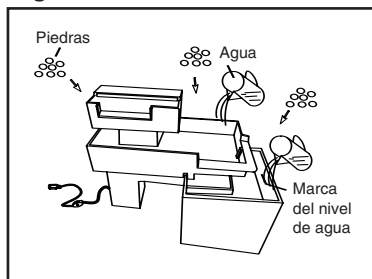
**Figura 3**



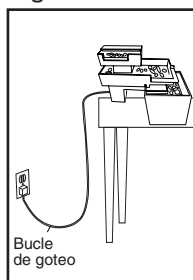
**Figura 4**



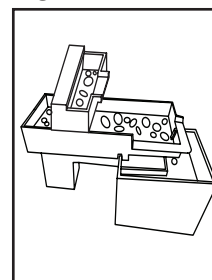
**Figura 5**



**Figura 6**



**Figura 7**



3. Pase el cordón a través de la ranura para el cordón que se encuentra en el fondo de la base. Esto asegurará que la unidad quede en equilibrio cuando se la coloque sobre una superficie plana. Adjunte el receptáculo del adaptador de C/A al cable de corriente de la base. NO enchufe al tomacorriente en este momento (Fig. 2)
4. Coloque la plataforma sobre los postes de soporte de la base (Fig. 2).
5. Inserte en la bomba el tubo de PVC ubicado debajo de la sección del medio (Fig. 2).
6. Pase el cable de la luz LED por el pequeño orificio ubicado debajo de la sección del medio (Fig. 2).
7. Alinee el corte en el borde inferior de la sección del medio con el borde de la base de manera que quede asentada en plano sobre la base (Fig. 3).  
**NOTA:** La posición de la bomba debe quedar en correspondencia con el diseño en la base.
8. Inserte el enchufe de la luz LED dentro de la toma de luz LED al fondo de la sección superior, y luego inserte el empalme del suministro de agua del fondo de la sección superior en el orificio más grande de la sección del medio (Fig. 4).
9. Vierta agua limpia en la sección del medio (aprox. 0,3 L – 10 onzas), y luego en la base (aprox. 1,6 L – 56,5 onzas). El nivel de agua debe quedar donde se encuentra la marca del nivel de agua. Luego, disponga las piedras que se proporcionan en la sección superior, del medio y en la plataforma, como lo desea (Fig. 5).
10. Enchufe el cable a un tomacorriente doméstico de 120V. La fuente se controla mediante el interruptor ubicado en el cable de corriente. Si la bomba no funciona, gire el interruptor en línea una vez para "encender" y una vez más para "apagar".  
**NOTA:** Asegúrese de que el cordón eléctrico haga un bucle más abajo del tomacorriente para formar un 'bucle de goteo' (Fig. 6). Esto evitará que el agua pueda correr por el cable hacia el tomacorriente.
11. Puesto que en este artículo el agua puede fluir en dos direcciones, desconecte el suministro de corriente antes de cambiar la posición de la fuente. Para eso, gire la sección superior de 90 grados en sentido antihorario. Cuando el agua ha dejado de salir de la misma, vuelva a encender la fuente (Fig. 7).

## Mantenimiento

- **Para limpiar la bomba:**

Desenchufe del tomacorriente eléctrico. Quite la bomba de la base de la fuente. Utilice un cepillo pequeño o chorro de agua para quitar cualquier desecho (Fig. 8).

- **Para mantener el agua limpia:**

Cambie el agua periódicamente y limpie el producto de acuerdo a la condición del agua. Mantener el agua limpia evita que la misma se vuelva pegajosa y la formación de microorganismos.

- **Para limpiar los depósitos de agua dura de la base o de las piedras:**

Remoje el recipiente y las piedras en una mezcla de vinagre y agua para limpiar y quitar cualquier acumulación mineral.

- **Mantenimiento del agua a un nivel óptimo:**

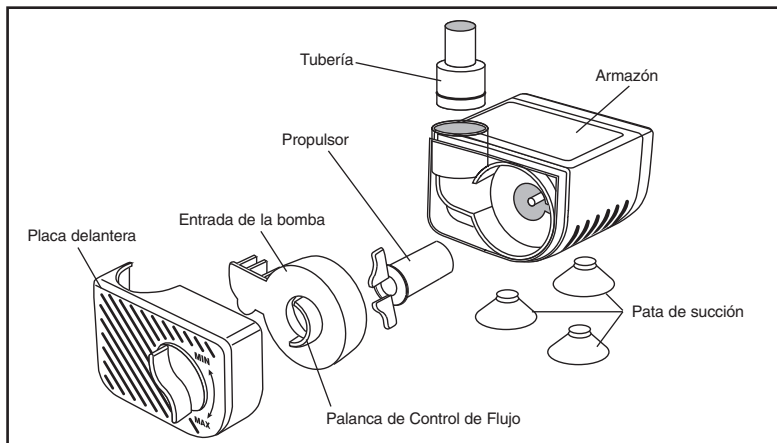
Agregue agua en forma periódica para mantener el agua en un nivel óptimo y evitar que la vida de la bomba se vea reducida.

**ATENCIÓN:** Nunca deje que la bomba funcione sin agua, ya que esto acortará la vida de la bomba.

- **Guardado de la fuente**

Desenchufe la fuente del tomacorriente eléctrico, quite el agua y guarde las piedras y la fuente en un lugar seco y fresco.

Figura 8



## Diagnóstico y resolución de problemas

- **Si la bomba no funciona, verifique lo siguiente:**

Revise el disyuntor o enchufe la unidad en otro tomacorriente para asegurarse de que la bomba está recibiendo corriente.

**ATENCIÓN:** Siempre desconecte la bomba del tomacorriente eléctrico antes de manipularla.

Revise la descarga de la bomba y las mangueras para detectar pliegues u obstrucciones. La acumulación de algas se puede enjuagar con una manguera de jardín.

Quite la entrada de la bomba para obtener acceso al área del propulsor. Gire el rotor para asegurarse de que no esté roto o trabado.

El mantenimiento mensual alargará la vida de su bomba.

**ATENCIÓN:** Asegúrese de que el cable de corriente cuelgue por debajo del tomacorriente eléctrico para formar un "bucle de goteo".

Esto evitará que el agua pueda correr por el cable hacia el tomacorriente.

- **Si la bomba gorgotea, "vomita" o "eructa":**

Revise el nivel del agua para asegurar que la bomba tenga suficiente agua para funcionar.

- **Cómo lograr el nivel de agua deseado:**

Revise diariamente el nivel de agua en la primera semana para medir la velocidad de evaporación; agregue agua según sea necesario.

- **Si el agua salpica fuera de la fuente:**

Las piedras que golpea el agua y además tocan el borde de la base harán que el agua salpique fuera de la base y contribuya al factor de salpicado. Es de esperarse que salpique un poco mientras organiza las piedras.

**Si continúa salpicando, ajuste la válvula de control de flujo en un valor menor, y/o reubique las piedras de río alejándolas del borde de la base.**

**Precaución:**  
**Todo el servicio de esta fuente debe ser realizado únicamente por personal de servicio autorizado de HoMedics.**

**Atención:**  
**Para obtener mejores resultados haga funcionar la bomba totalmente sumergida. Mantenga el agua por encima del nivel mínimo EN TODO MOMENTO.**