

ONE YEAR LIMITED WARRANTY

HoMedics sells its products with the intent that they are free of defects in manufacture and workmanship for a period of one year from the date of original purchase, except as noted below.

HoMedics warrants that its products will be free of defects in material and workmanship under normal use and service.

To obtain warranty service on your HoMedics product, mail the product and your dated sales receipt (as proof of purchase), postpaid, to the following address: HoMedics Service Center, Dept. 168, 3000 Pontiac Trail, Commerce Township, MI 48390. No COD's will be accepted.

HoMedics does not authorize anyone, including, but not limited to, Retailers, the subsequent consumer purchaser of the product from a Retailer or remote purchasers, to obligate HoMedics in any way beyond the terms set forth herein.

This warranty does not cover damage caused by misuse or abuse; accident; the attachment of any unauthorized accessory; alteration to the product; improper installation; unauthorized repairs or modifications; improper use of electrical/power supply; loss of power; dropped product; malfunction or damage of an operating part from failure to provide manufacturer's recommended maintenance; transportation damage; theft; neglect; vandalism; or environmental conditions; loss of use during the period the product is at a repair facility or otherwise awaiting parts or repair; or any other conditions whatsoever that are beyond the control of HoMedics.

This warranty is effective only if the product is purchased and operated in the United States of America. A product that requires modifications or adoption to enable it to operate in any other country than the country for which it was designed, manufactured, approved and/or authorized, or repair of products damaged by these modifications is not covered under this warranty.

THE WARRANTY PROVIDED HEREIN SHALL BE THE SOLE AND EXCLUSIVE WARRANTY. THERE SHALL BE NO OTHER WARRANTIES EXPRESS OR IMPLIED INCLUDING ANY IMPLIED WARRANTY OF MERCHANTABILITY OR FITNESS OR ANY OTHER OBLIGATION ON THE PART OF THE COMPANY WITH RESPECT TO PRODUCTS COVERED BY THIS WARRANTY. HOMEDICS SHALL HAVE NO LIABILITY FOR ANY INCIDENTAL, CONSEQUENTIAL OR SPECIAL DAMAGES.

IN NO EVENT SHALL THIS WARRANTY REQUIRE MORE THAN THE REPAIR OR REPLACEMENT OF ANY PART OR PARTS WHICH ARE FOUND TO BE DEFECTIVE WITHIN THE EFFECTIVE PERIOD OF THE WARRANTY. NO REFUNDS WILL BE GIVEN. IF REPLACEMENT PARTS FOR DEFECTIVE MATERIALS ARE NOT AVAILABLE, HOMEDICS RESERVES THE RIGHT TO MAKE PRODUCT SUBSTITUTIONS IN LIEU OF REPAIR OR REPLACEMENT.

This warranty does not extend to the purchase of opened, used, repackaged and/or resealed products, including but not limited to sale of such products on Internet auction sites and/or sales of such products by surplus or bulk resellers.

Any and all warranties or guarantees shall immediately cease and terminate as to any products or parts thereof which are altered, or modified, without the prior express and written consent of HoMedics.

This warranty provides you with specific legal rights. You may have additional rights which may vary from state to state. Because of individual state regulations, some of the above limitations and exclusions may not apply to you.

For more information regarding our product line in the USA, please visit:
www.homedics.com

© 2006 HoMedics, Inc. and its affiliated companies, all rights reserved. HoMedics® is a registered trademark of HoMedics, Inc. and its affiliated companies. Envirascap™ is a trademark of HoMedics, Inc. and its affiliated companies. All rights reserved.

IB-WFLASP

ILLUMINATED FLOORSTAND RELAXATION FOUNTAIN

enviraScape™ ASPEN FALLS



Instruction Manual and Warranty Information

WFL-ASP

1 year limited warranty

The soothing sounds of nature

Thank you for purchasing EnviraScape, HoMedics' floorstand relaxation fountain. This, like the entire HoMedics product line, is built with high-quality craftsmanship to provide you years of dependable service. We hope that you will find it to be the finest product of its kind.

EnviraScape enables you to create an all-encompassing environment with sound. The sound of flowing water enhances your environment by releasing negative ions, and promoting relaxation. Only EnviraScape offers you the luxury of these vital benefits with its creative design which adds beauty to any indoor environment.

EnviraScape Features

- Innovative, artistic design enhances the environment at home or at work.
- Special effect lighting illuminates fountain for a more dramatic effect.
- The soothing sound of water creates a stress free ambiance.
- Improves concentration by masking distractions so you can stay focused.
- Durable electrical water pump can be operated from any indoor electrical outlet.
- Floorstand size-fountain measures
11" L x 5" W x 33.25" H
27.9 L x 12.7 W x 84.4 H cm

IMPORTANT SAFETY INSTRUCTIONS:

When using an electrical appliance, basic precautions should always be followed, including the following:

READ ALL INSTRUCTIONS BEFORE USING

DANGER

- To reduce the risk of electric shock:

- Always unplug the appliance from the electrical outlet immediately after using and before cleaning.
- Do not reach for an appliance that has fallen into water. Unplug it immediately.
- Do not place or store appliance where it can fall or be pulled into a tub or sink. Do not place in or drop into water or other liquid.
- Do not connect to any voltage other than that shown on the pump.
- Do not pump flammable liquids.
- Do not use water above 86° Fahrenheit.

CAUTION:
The pump must be completely submerged in water. If the pump is making noises, most likely it is not completely submerged in water.

CAUTION:
Only set the fountain and fountain parts on waterproof surfaces

WARNING

- To reduce the risk of burns, fire, electric shock or injury to persons:

- An appliance should never be left unattended when plugged in. Unplug from outlet when not in use and before putting on or taking off parts or attachments.
- Close supervision is necessary when this appliance is used by or near children, invalids or disabled persons.
- Use this appliance only for its intended use as described in this manual. Do not use attachments not recommended by HoMedics; specifically any attachments not provided with the unit.
- Never operate this appliance if it has a damaged cord, plug, pump, cable or housing. If it is not working properly, if it has been dropped or damaged, return it to Homedics Service Center for examination and repair.
- Keep cord away from heated surfaces.
- Never drop or insert any object into any opening.
- Do not operate where aerosol (spray) products are being used or where oxygen is being administered.
- Do not carry this appliance by power cord or use cord as handle.
- To disconnect, remove plug from outlet.
- This appliance is designed for indoor use only. Do not use outdoors.

SAVE THESE INSTRUCTIONS

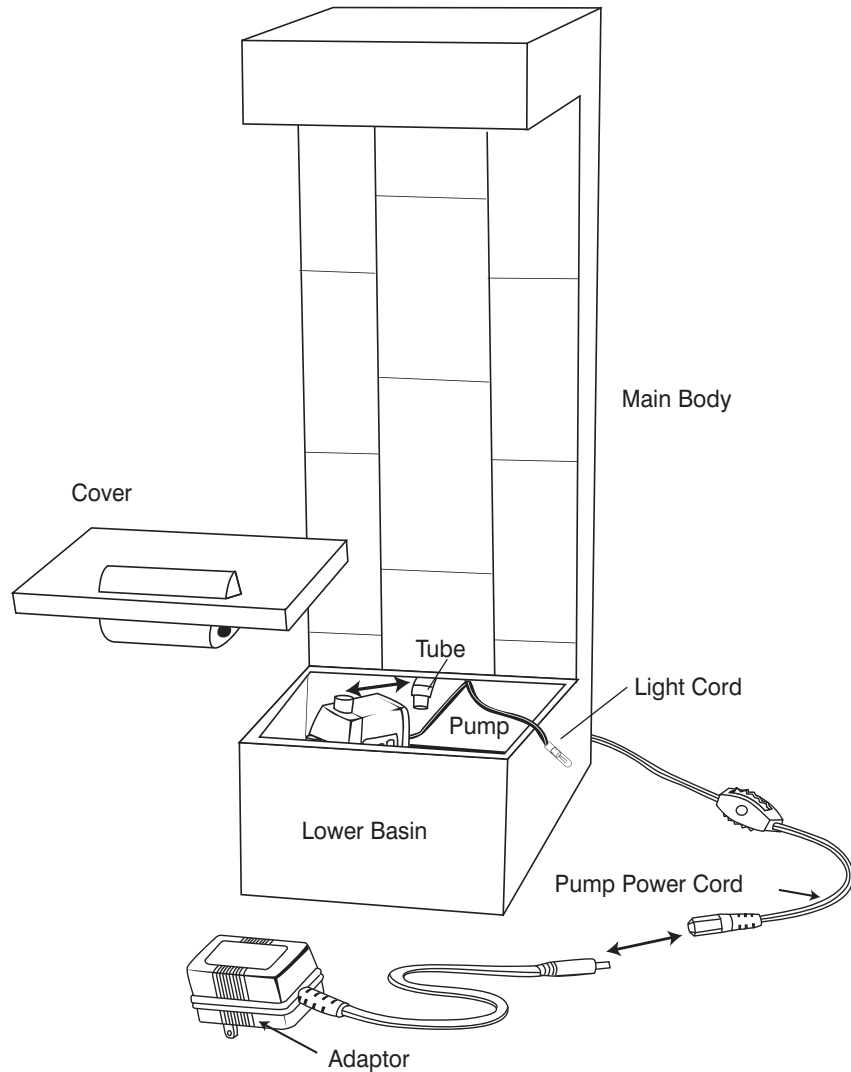
Caution – Please read all instructions carefully before operating.

- Never leave the appliance unattended, especially if children are present.
- Never cover the appliance when it is in operation.
- This unit should not be used by children without adult supervision.
- Connect the pump with the proper voltage as indicated on the pump label.
- Always keep the cord away from high temperature and fire.
- Unplug the pump from power source before cleaning, maintenance or disassembling.
- To get the best flowing effect, product must be placed on a flat-waterproof surface and should never be placed on an electrical appliance.
- Never let pump run dry, as this will shorten life of the pump.
- Do not lift, carry, hang, or pull the pump by the power cord.
- Operate with tap or distilled water.
- Operate pump completely submerged for proper cooling.
- The electrical cord of this product cannot be replaced. If it sustains damage, you must stop using this product immediately and return it to the HoMedics Service Center for repair. (See the warranty section for HoMedics address.)
- Disconnect the appliance from outlet before putting hands into water.
- HoMedics has provided the optimum length power cord for this product to reduce the risks resulting from becoming entangled in or tripping over a longer cord. We do not recommend the use of an extension cord.

Assembly and Instructions for Use

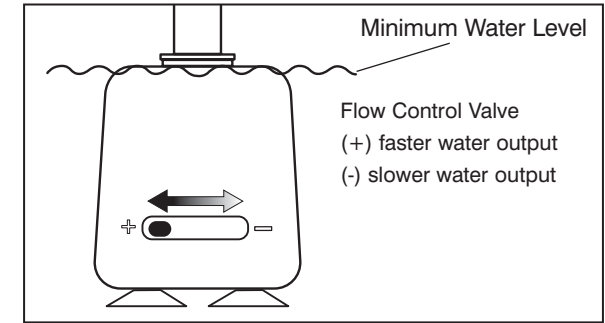
1. Unpack the product. Wipe off dust with a damp cloth. (Fig 1)

Figure 1



Attention:
In order to get best results, please operate pump completely submerged. Keep the water level above the minimum water level ALL THE TIME.

Figure 2



2. Familiarize yourself with the pump. The switch located at the front of the pump controls the pump speed. The speed is indicated by a plus (+) and minus (-) sign. To increase the speed, move the switch slowly left in the direction of the plus sign. You will hear a click as the switch moves to each speed level. At its highest speed level, the switch will cease to move any further. To decrease the pump speed, move the switch right toward the minus sign. Similarly, at its lowest speed, the switch will cease to move any further (Fig 2).

NOTE: It is recommended the pump be set at its highest speed during assembly and later adjusted to a lower setting if desired. Be sure to unplug the pump before adjusting the speed setting.

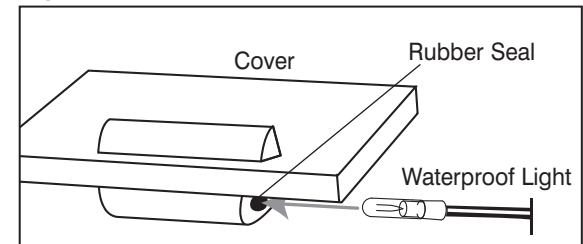
3. Insert the tube into the pump. (Fig. 1) Place the pump inside the middle of the lower basin allowing the suction cups to sit flat on the bottom. Pump should not touch side walls.
4. Lead the power cord up through the cord hole located on the back of the unit. (Fig. 3)
5. Insert waterproof light into the hole located on cover. (Fig. 4) Slight twisting may help to push the bulb through the rubber seal more easily.

NOTE: Be gentle with the bulb since it is made of glass.

Figure 3



Figure 4



6. Fill lower basin, from the front of the fountain, with approx. 96 oz. of water. (Fig. 5)
NOTE: We recommend using distilled water to help prevent mineral build-up.
7. Place the cover on the support tabs of the base. (Fig. 6)
8. Attach the A/C adaptor jack to the pump power cord. **DO NOT** plug into outlet at this time. (Fig. 1)
9. Set the fountain on a level, waterproof surface.
OPTIONAL: To help prevent the fountain from tipping over, use the bracket located on the back of the fountain to secure it in a sitting position using a nail or a hook.
IMPORTANT: Fountain must sit on a flat surface, DO NOT HANG FOUNTAIN ON WALL.
10. Plug the cord into 120V household outlet. The switch located on the power cord controls the fountain. If pump doesn't operate, rotate in-line switch once to turn "on" and once more to turn "off". Monthly maintenance will add to your pump's life.
At first, water may splash due to the dry surface. Use fingers to wet entire surface to help avoid splashing.
NOTE: Ensure that the electrical cord loops below the electrical outlet to form a "Drip Loop" (Fig. 7). This will prevent water from running down the cord into the electrical outlet.

Figure 5

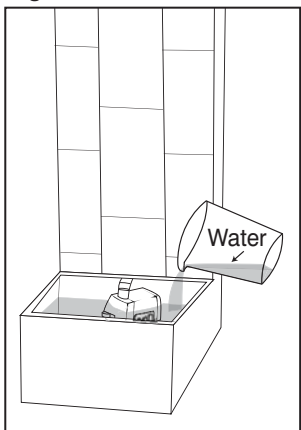


Figure 6

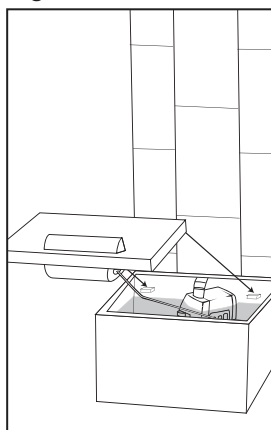


Figure 7

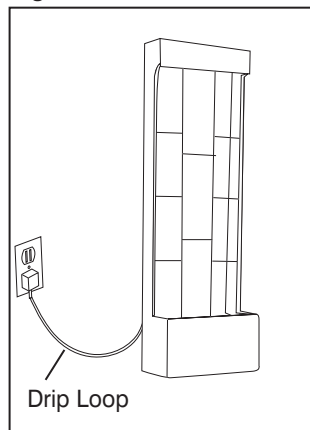
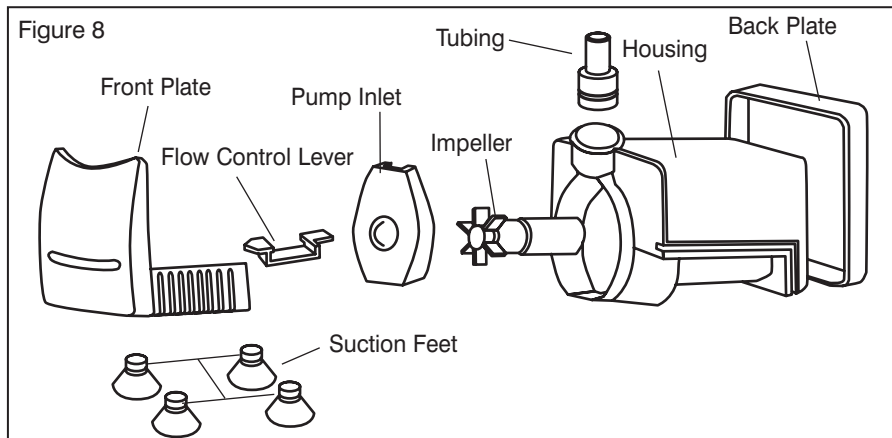


Figure 8



Maintenance

• To clean the pump:

Unplug from electrical outlet. Remove it from the base of the fountain. Use a small brush or stream of water to remove any debris (Fig 8).

• To keep water clean:

Periodically change water and clean the product according to the water condition. Keeping the water clean prevents the water from becoming sticky and forming micro-organisms. We recommend distilled water to prevent mineral build-up.

• To clean off hard water deposits on the base:

Soak the container in a mixture of vinegar and water to clean and remove any mineral build-up.

• Keeping the water at an optimum level:

Add water periodically to keep water level at an optimum level to avoid shortening the life of the pump.

NOTE: Never let the pump run dry, as this will shorten the life of the pump.

• Fountain storage

Unplug the fountain from the electrical outlet, empty the water, and store fountain in a dry, cool place.

Troubleshooting

• If the pump fails to operate, check the following:

Check the circuit breaker, or try a different outlet to make sure the pump is getting electrical power.

NOTE: Always disconnect from electrical outlet before handling the pump.

• If the pump gurgles, spews, or "burps":

Check the water level to make sure the pump has enough water to function.

• Obtaining a desired water level:

Check the water level daily the first week to measure the rate of evaporation; refill with water as needed.

• If water is splashing outside the fountain:

Adjust the flow control valve to a lower setting on the pump.

ILLUMINATED FLOORSTAND RELAXATION FOUNTAIN

enviraScape™ ASPEN FALLS

Replacement Parts Order Form

PART	DESCRIPTION	QUANTITY	COST
PP-WFLBULB2	Replacement bulbs and covers for WFL-ASP - pack of 5		\$5.00
SUBTOTAL			_____
TAX-Michigan Residents add 6%			_____
Total			_____

HOMEDICS

Mail To:

HoMedics
Consumer Relations
Service Center Dept. 168
3000 Pontiac Trail
Commerce Township, MI 48390

e-mail:
cservice@homedics.com

Detach and return order form with check or money order payable to HoMedics, Inc.
Please allow 2 to 4 weeks for delivery.

Name

Address

City State Zip Code () Phone Number

GARANTÍA LIMITADA POR UN AÑO

HoMedics vende sus productos con la intención de que no tengan defectos de fabricación ni de mano de obra por un plazo de un año a partir de la fecha de compra original, con las excepciones indicadas a continuación.

HoMedics garantiza que sus productos no tendrán defectos de material ni de mano de obra bajo condiciones de uso y servicio normales.

Para obtener servicio para su producto HoMedics, envíe por correo el producto y su recibo de compra fechado (como comprobante de compra), con franqueo pago, a la siguiente dirección: HoMedics, Service Center Dept. 168, 3000 Pontiac Trail, Commerce Township, MI 48390 No se aceptarán pagos contra entrega (C.O.D.)

HoMedics no autoriza a nadie, incluyendo, pero sin limitarse a, distribuidores, posteriores consumidores compradores del producto a un distribuidor, o compradores remotos, a obligar a HoMedics de forma alguna más allá de las condiciones aquí establecidas.

La garantía de este producto no cubre daños causados por uso inadecuado o abuso, accidente, conexión de accesorios no autorizados, alteración del producto, instalación inadecuada, reparaciones o modificaciones no autorizadas, uso inadecuado de la fuente de energía/electricidad, cortes de energía, caída del producto, funcionamiento incorrecto o daño de una pieza de funcionamiento debido al no cumplimiento del mantenimiento recomendado por el fabricante, daños durante el transporte, robo, descuido, vandalismo, condiciones climáticas, pérdida de uso en el periodo durante el cual el producto está en una instalación de reparación o a la espera de piezas o reparación, o cualquier otra condición, sin importar cual sea, que se encuentre fuera del control de HoMedics.

Esta garantía es válida únicamente si el producto es comprado y operado en los Estados Unidos de América. Un producto que requiera modificación o adaptación para habilitar su funcionamiento en cualquier país que no sea aquel para el que fue diseñado, fabricado, aprobado y/o autorizado, o la reparación de productos dañados por estas modificaciones no está cubierta bajo esta garantía.

LA GARANTÍA AQUÍ ESTABLECIDA SERÁ LA ÚNICA Y EXCLUSIVA GARANTÍA. NO HABRÁ NINGUNA OTRA GARANTÍA EXPRESA NI IMPLÍCITA, INCLUYENDO NINGUNA GARANTÍA DE COMERCIALIZACIÓN O APTITUD NI NINGUNA OTRA OBLIGACIÓN POR PARTE DE LA COMPAÑÍA CON RESPECTO A PRODUCTOS CUBIERTOS POR ESTA GARANTÍA. HOMEDICS NO TENDRÁ RESPONSABILIDAD ALGUNA POR NINGÚN DAÑO INCIDENTAL, CONSECUENTE NI ESPECIAL.

BAJO NINGÚN CONCEPTO ESTA GARANTÍA REQUERIRÁ MÁS QUE LA REPARACIÓN O CAMBIO DE ALGUNA PIEZA O PIEZAS QUE SE HALLEN DEFECTUOSAS DENTRO DEL PERÍODO DE VIGENCIA DE ESTA GARANTÍA. NO SE EFECTUARÁN REEMBOLSOS. SI NO HAY PIEZAS DE REPUESTO DISPONIBLES PARA LOS MATERIALES DEFECTUOSOS, HOMEDICS SE RESERVA EL DERECHO DE REALIZAR SUSTITUCIONES EN VEZ DE REPARAR O CAMBIAR.

Esta garantía no se extiende a la compra de productos abiertos, usados, embalados otra vez y o abiertos y vueltos a cerrar, incluyendo entre otras cosas la venta de dichos productos en sitios de remate por Internet y/o la venta de dichos productos por revendedores o mayoristas.

Todas y cada una de las garantías cesarán y terminarán inmediatamente con respecto a cualquier producto o pieza del mismo que estén alterados o modificados sin el consentimiento previo explícito y por escrito de HoMedics.

Esta garantía le proporciona derechos legales específicos. Es posible que usted tenga derechos adicionales que pueden variar de un estado a otro. Debido a las regulaciones de ciertos estados, es posible que algunas de las limitaciones y exclusiones no se apliquen en su caso.

Por más información con respecto a nuestra línea de productos en los EE.UU., visítenos en: www.homedics.com

©2006 HoMedics, Inc. y sus compañías afiliadas, reservados todos los derechos. HoMedics® es una marca registrada de HoMedics, Inc. y sus compañías afiliadas. Envirascap™ es una marca comercial de HoMedics Inc. y sus compañías afiliadas. Reservados todos los derechos.

IB-WFLASP

FUENTE DE RELAJACIÓN DE PISO CON LUZ

enviraScape™ CATARATAS DE ASPEN



Manual de instrucciones e información de garantía

WFL-ASP

1 año de
garantía limitada

Los aliviadores sonidos de la naturaleza

Gracias por comprar la fuente de relajación de piso EnviraScape de HoMedics. Éste, al igual que toda la línea de productos HoMedics, está fabricado con mano de obra de alta calidad para brindarle años de servicio confiable. Esperamos que lo encuentre como el mejor producto de su clase.

EnviraScape le permite crear un ambiente completo con sonido. El sonido del agua fluyendo realza su ambiente liberando iones negativos e incentivando la relajación. Sólo EnviraScape le ofrece el lujo de estos beneficios vitales con su creativo diseño que agrega belleza a cualquier ambiente interior.

Características de EnviraScape

- El diseño artístico y novedoso embellece el ambiente en el hogar o en el trabajo.
- Las luces de efectos especiales iluminan la fuente logrando un efecto más dramático.
- El sonido apaciguador del agua crea un ambiente libre de estrés.
- Mejora la concentración enmascarando las distracciones, para que usted pueda concentrarse.
- La bomba eléctrica de agua puede funcionar con cualquier tomacorriente eléctrico al interior.
- La fuente de tamaño de piso mide
11"(L) x 5"(A) x 33,25"(A) – (27 L x 12 A x 83 A cm)
27,9"(L) x 12,7"(A) x 84,4"(H) – (70 L x 312 A x 210 A cm)

IMPORTANTES INSTRUCCIONES DE SEGURIDAD:

Cuando utiliza un artefacto eléctrico, siempre se deben seguir ciertas precauciones básicas, incluyendo lo siguiente:

LEA TODAS LAS INSTRUCCIONES ANTES DE USAR

PELIGRO

- Para reducir el riesgo de choque eléctrico:

- SIEMPRE desenchufe el artefacto del tomacorriente, inmediatamente después de usar y antes de limpiarlo.
- NO intente tomar un artefacto que haya caído al agua. Desenchúfelo de inmediato.
- NO coloque ni guarde el artefacto en donde pueda caerse o ser tirado en una tina o pileta. NO lo coloque ni lo deje caer en agua ni en ningún otro líquido.
- NO lo conecte a ningún otro voltaje que no sea que el se muestra en la bomba.
- NO bombee líquidos inflamables.
- NO lo use con agua a una temperatura superior a los 86º Fahrenheit.

ADVERTENCIA - Para reducir el riesgo de quemaduras, incendio, choque eléctrico o lesiones a las personas:

- Un artefacto nunca debe ser dejado sin atención cuando está enchufado. Desenchúfelo del tomacorriente cuando no lo esté usando y antes de colocar o quitar piezas o accesorios.
- Se requiere una supervisión estricta cuando este artefacto es usado por o cerca de niños, personas minusválidas o incapacitadas.
- Utilice este artefacto sólo para el uso para el cual fue diseñado y como se describe en este manual. No use accesorios no recomendados por HoMedics, específicamente ningún accesorio no proporcionado con la unidad.
- Nunca haga funcionar este aparato si tiene el cordón, el enchufe, la bomba el cable o el armazón dañado. Si no está funcionando adecuadamente, si se ha caído o dañado, envíelo al Centro de servicio de HoMedics para que sea examinado y reparado.
- Mantenga el cable alejado de superficies calientes.
- Nunca lo deje caer ni inserte ningún objeto en ninguna abertura.
- No lo haga funcionar donde se utilizan productos de rociado por aerosol o donde se está administrando oxígeno.
- No lleve este artefacto tomado del cable, ni use el cable como manija.
- Para desconectarlo, retire el enchufe del tomacorriente.
- Este artefacto está diseñado para uso al interior exclusivamente. No lo use en exteriores.

PRECAUCIÓN:
La bomba debe estar totalmente sumergida en agua. Si la bomba hace ruido, lo más probable es que no esté totalmente sumergida en el agua.

PRECAUCIÓN:
Coloque la fuente y las piezas de la fuente únicamente sobre superficies impermeables.

GUARDE ESTAS INSTRUCCIONES

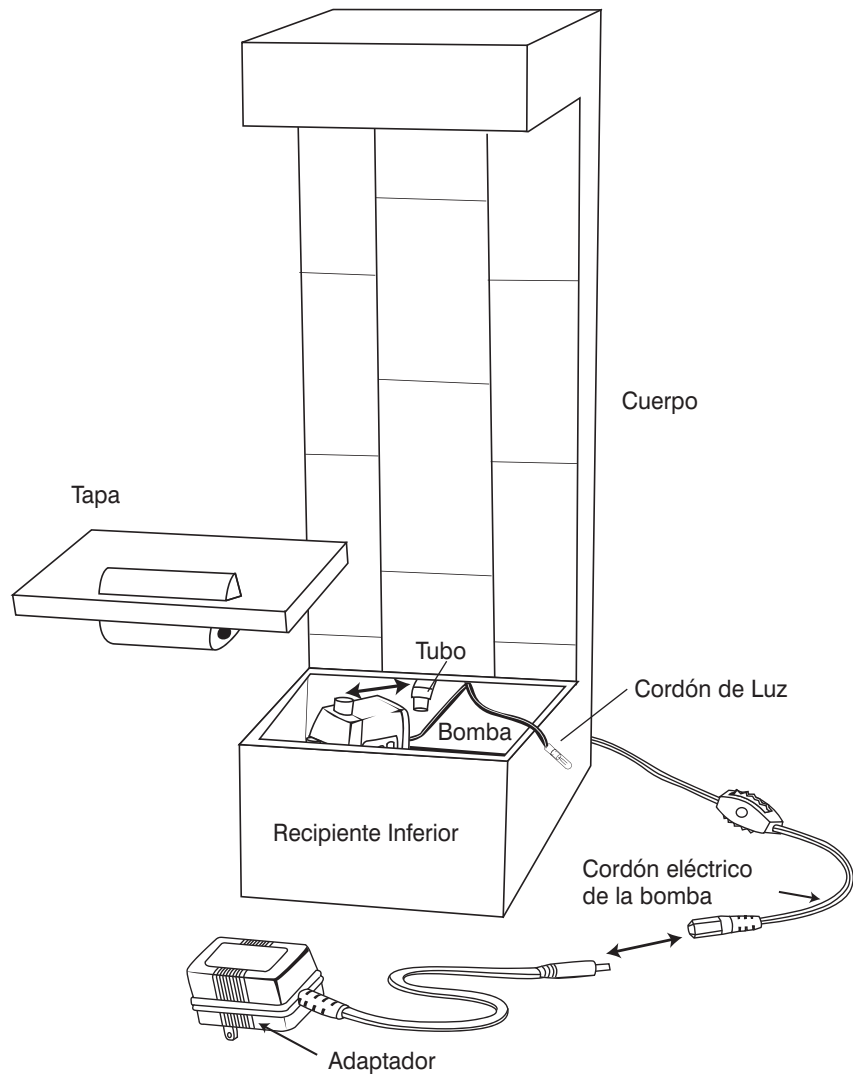
Precaución: Sírvase leer todas las instrucciones con atención antes de poner en funcionamiento.

- Nunca deje el artefacto sin vigilancia, especialmente si hay niños presentes.
- Nunca cubra el artefacto mientras está en funcionamiento.
- Esta unidad no debe ser usada por niños sin la supervisión de un adulto.
- Conecte la bomba con el voltaje adecuado según se indica en la etiqueta de la bomba.
- Mantenga siempre el cordón alejado de temperaturas elevadas y de llamas.
- Desenchufe la bomba de la fuente de energía antes de limpiar, realizar el mantenimiento o desarmar.
- Para obtener el mejor efecto de flujo, se debe colocar el producto sobre una superficie plana e impermeable y nunca se lo debe colocar sobre un artefacto eléctrico.
- Nunca deje que la bomba funcione sin agua, ya que esto acortará la vida de la bomba.
- No levante, lleve, cuelgue ni tire de la bomba tomándola del cable de corriente.
- Haga funcionar la bomba sólo con agua de la llave o destilada.
- Para lograr el enfriamiento apropiado, la bomba debe trabajar completamente sumergida.
- El cordón eléctrico de este artefacto no puede reemplazarse. Si presenta daños, debe dejar de usar este producto de inmediato y enviarlo al Centro de servicio de HoMedics para su reparación. (Consulte la sección de garantía para obtener la dirección de HoMedics.)
- Desconecte el artefacto del tomacorriente antes de poner sus manos en el agua.
- HoMedics proporciona el cordón eléctrico del largo ideal para este producto, para reducir los riesgos asociados con el resbalarse o enredarse en un cordón más largo. No recomendamos el uso de un cordón más largo.

Armado e instrucciones de uso

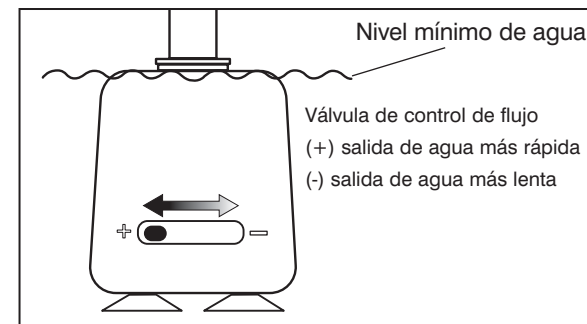
1. Desempaque el producto. Quite el polvo con un paño húmedo. (Fig. 1).

Figura 1



Atención:
Para obtener mejores resultados haga funcionar la bomba totalmente sumergida.
Mantenga el agua por encima del nivel mínimo
EN TODO MOMENTO.

Figura 2



2. Familiarícese con la bomba. El interruptor ubicado en la parte delantera de la bomba controla la velocidad de la bomba. La velocidad está indicada por un signo de más (+) y uno de menos (-). Para aumentar la velocidad, mueva el interruptor lentamente a la izquierda en la dirección del signo de más. Escuchará un clic cuando el interruptor pase al siguiente nivel de velocidad. A su nivel máximo de velocidad, el interruptor se detendrá. Para disminuir la velocidad de la bomba, mueva el interruptor a la derecha hacia el signo de menos. De la misma forma, en su velocidad menor, el interruptor se detendrá (Fig. 2).

NOTA: Se recomienda que la bomba se fije a su máxima velocidad durante el armado y luego se ajuste a una velocidad menor si así se desea. Asegúrese de desenchufar la bomba antes de ajustar el valor de la velocidad.

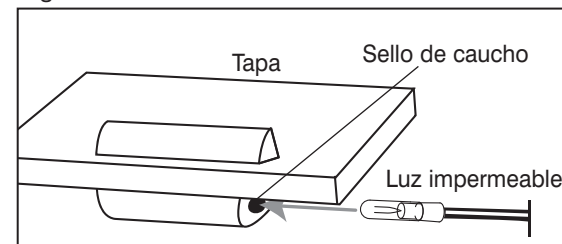
3. Introduzca el tubo dentro de la bomba. (Fig. 1) Coloque la bomba en el centro del recipiente inferior dejando las copas de succión asentadas planas sobre el fondo. La bomba no debe tocar las paredes laterales.
4. Pase el cordón eléctrico por el orificio para el cordón ubicado al respaldo de la unidad. (Fig. 3)
5. Inserte la luz impermeable en el orificio ubicado en la tapa. (Fig. 4) El girar suavemente puede ayudar a empujar la bombilla a través del sello de caucho más fácilmente.

NOTA: Manipule la bombilla con cuidado ya que es de vidrio.

Figura 3



Figura 4



6. Llene el recipiente inferior, desde la parte de adelante de la fuente, con cerca de 96 onzas (2,8 L) de agua. (Fig. 5)
NOTA: Recomendamos el uso de agua destilada para ayudar a prevenir la acumulación de depósitos minerales.
7. Coloque la tapa en las lengüetas de soporte de la base. (Fig. 6)
8. Conecte el enchufe del adaptador de C/A al cable de corriente de la bomba. NO enchufe en el tomacorriente en este momento. (Fig. 1)
9. Coloque la fuente sobre una superficie nivelada e impermeable.
OPCIONAL: Para ayudar a prevenir que la fuente se vuelque, use el soporte ubicado al respaldo de la fuente para asegurar la fuente en la posición estable, usando una puntilla o un gancho.
IMPORTANTE: La fuente debe quedar asentada sobre una superficie plana, NO CUELQUE LA FUENTE DE LA PARED.
10. Enchufe el cable a un tomacorriente doméstico de 120V. El interruptor ubicado en el cable de corriente controla la fuente. Si la bomba no funciona, gire el interruptor en línea una vez para “encender” y una vez más para “apagar”. El mantenimiento mensual alargará la vida de su bomba.

Al principio, es posible que el agua se salpique debido a que la superficie está seca. Con sus dedos, humedezca toda la superficie para ayudar a evitar las salpicaduras.

NOTA: Asegúrese de que el cable de corriente cuelgue por debajo del tomacorriente eléctrico para formar un “bucle de goteo” (Fig. 7). Esto evitará que el agua pueda correr por el cable hacia el tomacorriente.

Figura 5

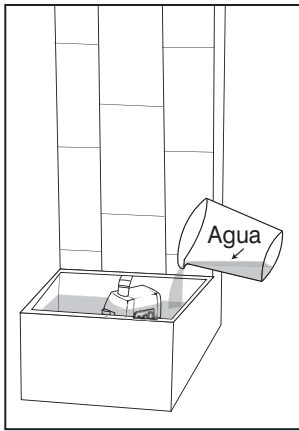


Figura 6

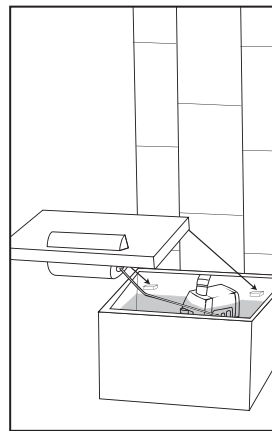


Figura 7

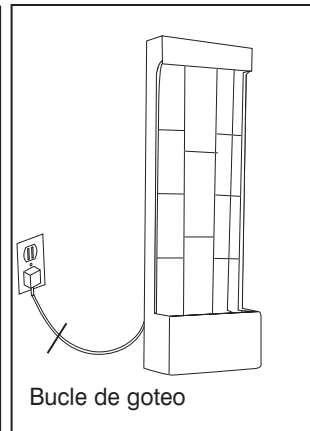
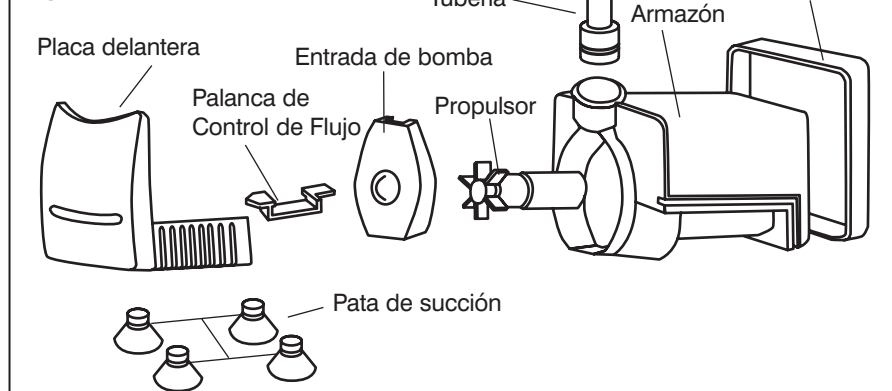


Figura 8



Mantenimiento

• Para limpiar la bomba:

Desenchúfela del tomacorriente eléctrico. Quite la bomba de la base de la fuente. Utilice un cepillo pequeño o chorro de agua para quitar cualquier desecho (Fig. 8).

• Para mantener el agua limpia:

Cambie el agua periódicamente y limpie el producto de acuerdo a la condición del agua. Mantener el agua limpia evita que la misma se vuelva pegajosa y la formación de microorganismos. Recomendamos el uso de agua destilada para prevenir la acumulación de depósitos minerales.

• Para limpiar los depósitos de agua dura de la base:

Moje el recipiente en una mezcla de vinagre y agua para limpiar y quitar cualquier acumulación mineral.

• Mantenimiento del agua a un nivel óptimo:

Agregue agua en forma periódica para mantener el agua en un nivel óptimo y evitar que la vida de la bomba se vea reducida.

NOTA: Nunca deje que la bomba funcione sin agua, ya que esto acortará la vida de la bomba.

• Guardado de la fuente

Desenchufe la fuente del tomacorriente eléctrico, vacíe el agua y guárdela en un lugar fresco y seco.

Diagnóstico y resolución de problemas

• Si la bomba no funciona, verifique lo siguiente:

Revise el disyuntor o enchufe la unidad en otro tomacorriente para asegurarse de que la bomba está recibiendo corriente.

NOTA: Siempre desconecte la bomba del tomacorriente eléctrico antes de manipularla.

• Si la bomba gorgotea, “vomita” o “eructa”:

Revise el nivel del agua para asegurar que la bomba tenga suficiente agua para funcionar.

• Cómo lograr el nivel de agua deseado:

Revise diariamente el nivel de agua en la primera semana para medir la velocidad de evaporación; agregue agua según sea necesario.

• Si el agua salpica fuera de la fuente:

Ajuste la válvula de control de flujo en la bomba a un nivel más bajo.

FUENTE DE RELAJACIÓN DE DE PISO CON LUZ

enviraScape™ CATARATAS DE ASPEN

Formulario de pedido de piezas de repuesto

PIEZA	DESCRIPCIÓN	CANTIDAD	COSTO
PP-WFLBULB2	Bombillas de repuesto y cubiertas para WFL-ASP - paquete de 5		\$5.00
		SUBTOTAL	_____
		IMPUESTO-Residentes de Michigan agregar 6%	_____
		Total	_____

HoMEDICS

Dirección postal:

HoMedics
Relaciones con el Consumidor
Service Center Dept. 168
3000 Pontiac Trail
Commerce Township, MI 48390

e-mail:
cservice@homedics.com

Corte y envíe el formulario de pedido acompañado de un cheque u orden de pago a nombre de HoMedics Inc. Sírvase esperar entre 2 y 4 semanas para la entrega.

Nombre _____

Dirección _____

Ciudad _____

Estado _____

Código postal _____

()
Número de teléfono _____