



# Woodpeckers Adjustable Setup Block Instruction Manual

[Home](#) » [Woodpeckers](#) » Woodpeckers Adjustable Setup Block Instruction Manual 

## Contents

- [1 Woodpeckers Adjustable Setup Block](#)
- [2 Specifications](#)
- [3 Product Usage Instructions](#)
- [4 USING INSTRUCTION](#)
- [5 QR SCAN](#)
- [6 FAQ](#)
- [7 Documents / Resources](#)
  - [7.1 References](#)
- [8 Related Posts](#)

**Woodpeckers®**

Woodpeckers Adjustable Setup Block



## Specifications

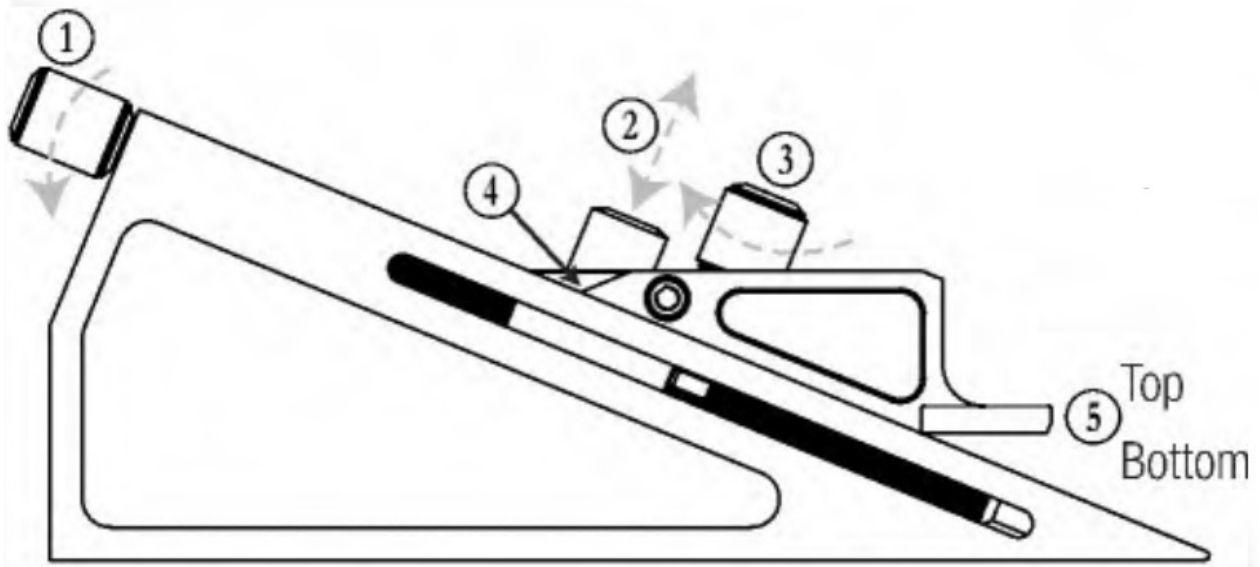
- Micro-Adjust Knob
- Quick Adjustment Knob
- Lock Knob
- Indicating Point
- Tool Setting Plate / Top & Bottom

## Product Usage Instructions

- **Step 1: Determine Plate Orientation**
  - Determine if you will need to use the Top or the Bottom of the Tool Setting Plate (Number 5).
- **Step 2: Adjusting the Setup Block**
  - Use the Quick Adjustment Knob (Number 2) to make rough adjustments as needed.
  - Once in position, lock it with the Lock Knob (Number 3). Do not use the Micro-Adjust Knob (Number 1) when the Lock Knob is locked.
- **Step 3: Fine-Tuning**
  - If precise adjustments are required, use the Micro-Adjust Knob (Number 1) to make small, incremental changes.

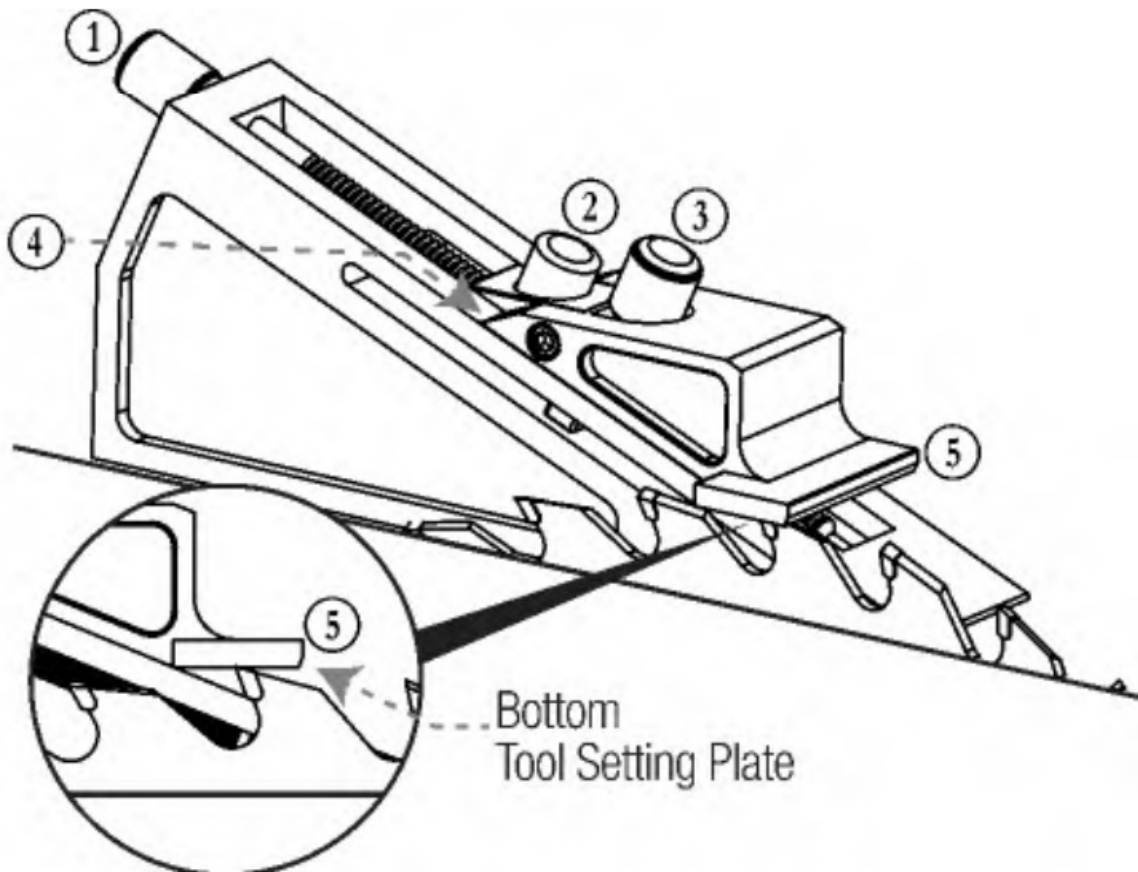
## USING INSTRUCTION

1. Micro-Adjust Knob
2. Quick Adjustment Knob
3. Lock Knob
4. Indicating Point
5. Tool Setting Plate / Top & Bottom



1. Determine if you will need to use the Top or the Bottom of the Tool Setting Plate 5.
  - The bottom is for setting the table saw blade or router table bit height.
  - The top is for setting drill press bit depths.
2. Push the Quick Adjustment Knob 2 to adjust close to your desired dimension.
3. Then turn the Micro-Adjust Knob 1 to fine adjust to your exact dimension.
- The Indicating Point 4 should be centered on the Laser engraved measuring mark.
4. Lock in the position with the Lock Knob 3.

**NOTE:** Do Not use the Micro-Adjust Knob when the Lock Knob is locked.



## QR SCAN

Scan the QR code above to watch the video or visit [woodpeck.com](http://woodpeck.com) under the video tab towards the bottom of the product page



## FAQ

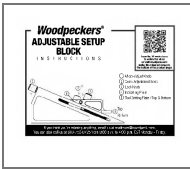
- **Q: What should I do if I think I'm missing a component?**
  - A: If you believe you are missing a part, please contact us at [mailroom@woodpeck.com](mailto:mailroom@woodpeck.com) or call 800-752-0725 for assistance.
- **Q: Where can I find the latest instruction manuals?**
  - A: The most up-to-date instruction manuals can be downloaded or printed from [woodpeck.com](http://woodpeck.com) under the tool's page in the Additional Information or Instructions tabs.
- **Q: How can I stay informed about new products and sales?**
  - A: Subscribe to our eClub on [woodpeck.com](http://woodpeck.com) to be the first to know about new products and sales.
- **Q: How can I stay updated on tool tips and tricks?**
  - A: Subscribe to our YouTube channel and follow us on Facebook & Instagram for the latest tool tips and tricks.

If you think you're missing anything, email us at [mailroom@woodpeck.com](mailto:mailroom@woodpeck.com).  
You can also call us at 800-752-0725 from 9:00 a.m. to 4:00 p.m. EST Monday – Friday

Woodpeckers, LLC Strongsville, Ohio  
[woodpeck.com](http://woodpeck.com)  
© 2022 Woodpeckers, LLC

At Woodpeckers we are constantly reviewing & improving our tools. The current version of our instruction manuals is always available to download/print at [woodpeck.com](http://woodpeck.com) via the tool's page  
Be the first to know all the new products & sales by subscribing to our Club. (Located at the top center of our webpage [woodpeck.com](http://woodpeck.com))

Subscribe to our YouTube channel to stay up-to-date on all the latest tooltips & tricks  
Interact with us! Follow us on Facebook & Instagram



[Woodpeckers Adjustable Setup Block](#) [pdf] Instruction Manual  
Adjustable Setup Block, Adjustable, Setup Block, Block

## References

- [W Woodworking Tools Designed and Made in USA | Woodpeckers](#)
- [User Manual](#)

### [Manuals+](#), [Privacy Policy](#)

This website is an independent publication and is neither affiliated with nor endorsed by any of the trademark owners. The "Bluetooth®" word mark and logos are registered trademarks owned by Bluetooth SIG, Inc. The "Wi-Fi®" word mark and logos are registered trademarks owned by the Wi-Fi Alliance. Any use of these marks on this website does not imply any affiliation with or endorsement.