
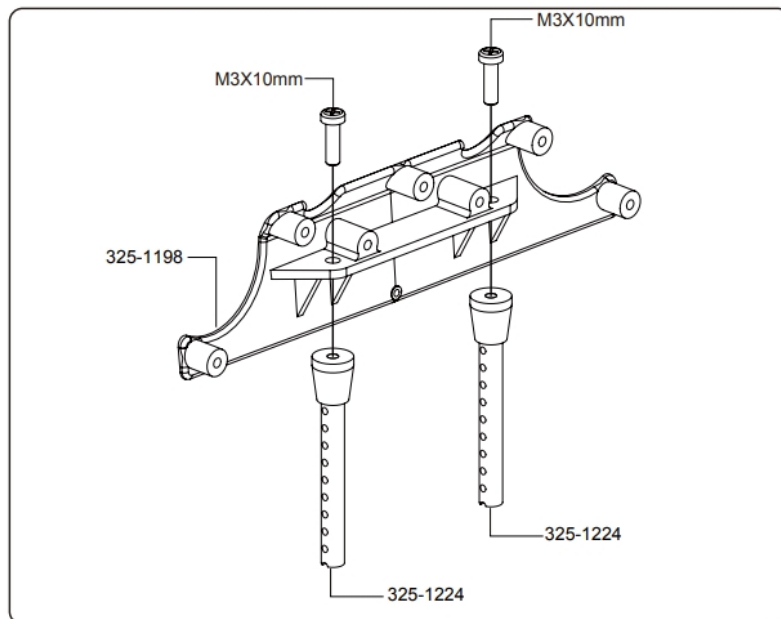




WISFOR XMR-C28 28 in. W x 36 in. H Large Rectangular Instructions

[Home](#) » [WISFOR](#) » [WISFOR XMR-C28 28 in. W x 36 in. H Large Rectangular Instructions](#) 

WISFOR XMR-C28 28 in. W x 36 in. H Large Rectangular Instructions



Contents

- 1 Brand Introduction
- 2 Product Introduction
 - 2.1 Product Structure
- 3 Functions of Mirror
 - 3.1 On/off Button- Brightness control and adjustment
 - 3.2 Light Change Button- adjust different lights
 - 3.3 Anti-Fog Button- defog the mirror
- 4 Memory Function
- 5 Parameter
- 6 Product Installation
 - 6.1 Installation Precautions
 - 6.2 Round / Oval Bathroom Mirror Installation
 - 6.3 Square Bathroom Mirror (Vertically/Horizontally)
- 7 Wiring Method
- 8 Warm Tips
- 9 Fault Isolation Manual
- 10 Documents / Resources
- 11 Related Posts

Brand Introduction

WISFOR LED Bathroom Mirror, Make Life Easier

WISFOR has been committed to helping simplify busy lifestyles by providing consumers with quality bathroom products for years.

Features Anti-fogging/Dimmable light/Memory function, our mirror is designed with customer's demand and it comes with 1 year warranty. Perfect choice for your bathroom, bedroom and makeup room.

- We strictly implement quality control to ensure that the products are 100% safe and qualified. If there is any problem when you receive the please feel free to contact us by email.
- If you are satisfied with our products, please share them with your friends. We look forward to your comments and video feedback as well as your suggestions for us.



Product Introduction

Product Structure

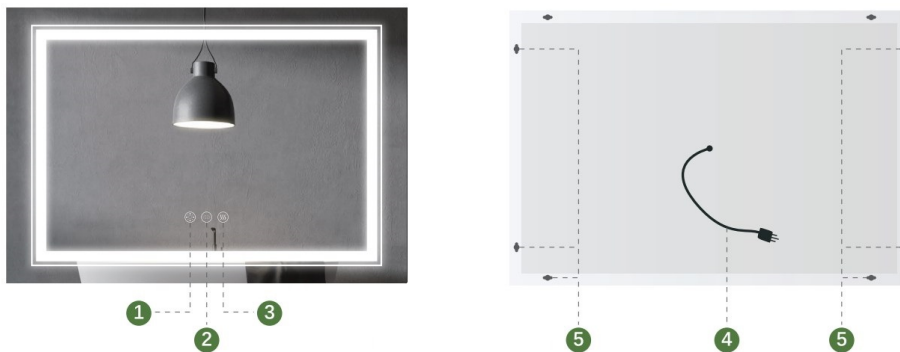
- Round Shape






- Oval Shape



- Rectangle Shape



1.  **On/Off Switch** – Short press the button for On/Off / long press to adjust brightness
2.  **Light Change Button**– Press the left/right for different lighting. White/ Warm White/ Warm Light
3.  **Anti-fog Button** – Press the button for anti-fog function
4. Power line plug
5. Hanging hook

Functions of Mirror

On/off Button- Brightness control and adjustment



Short press the button for On/Off the light Long press to adjust light brightness.



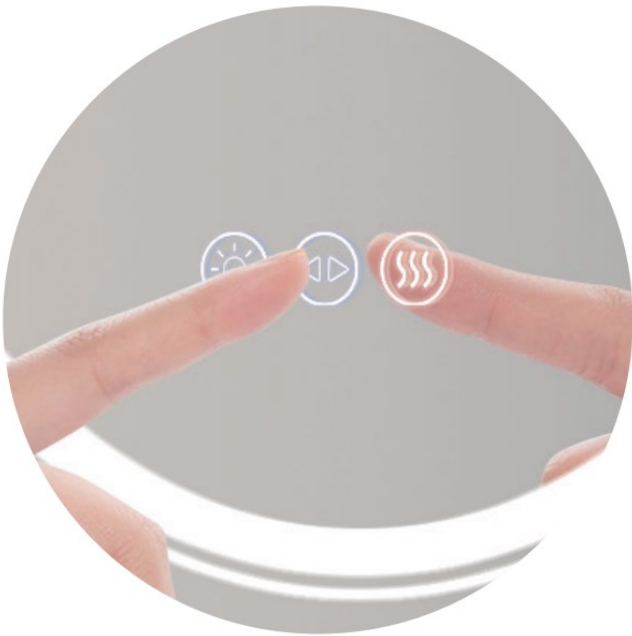
“ For the on-off key, white for on state, yellow for off state.



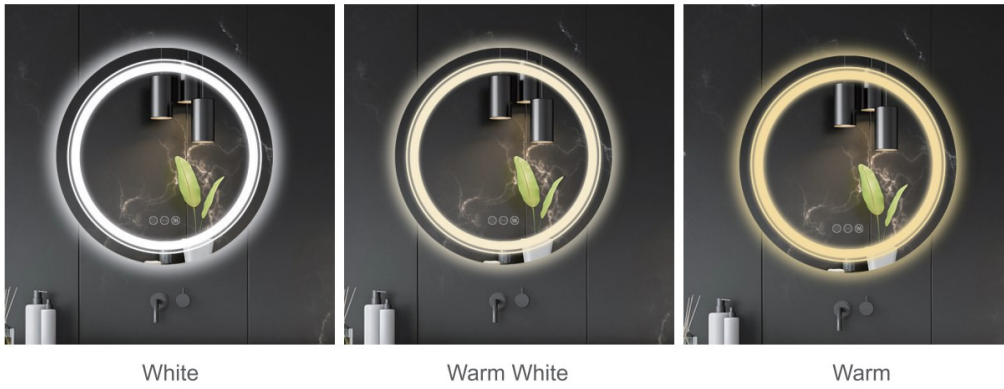
Light Change Button- adjust different lights




Short press the button to adjust from white/ warm white/ warm lighting color.



* You need to turn the on-off key on to switch the color temperature.



Anti-Fog Button- defog the mirror

 Press slightly to switch on the anti-fog function.



* Anti-fog function for being used separately. You can turn it off separately when not in use

* Anti-fog Constant Temperature: 45°C.



*Please make sure the fingerprint fits fully when pressing on the button.
Do not use the finger tip.



Memory Function

*The mirror features memory function, the next time you turn the light on, the lighting color will be the same as the last one.



Parameter

Details

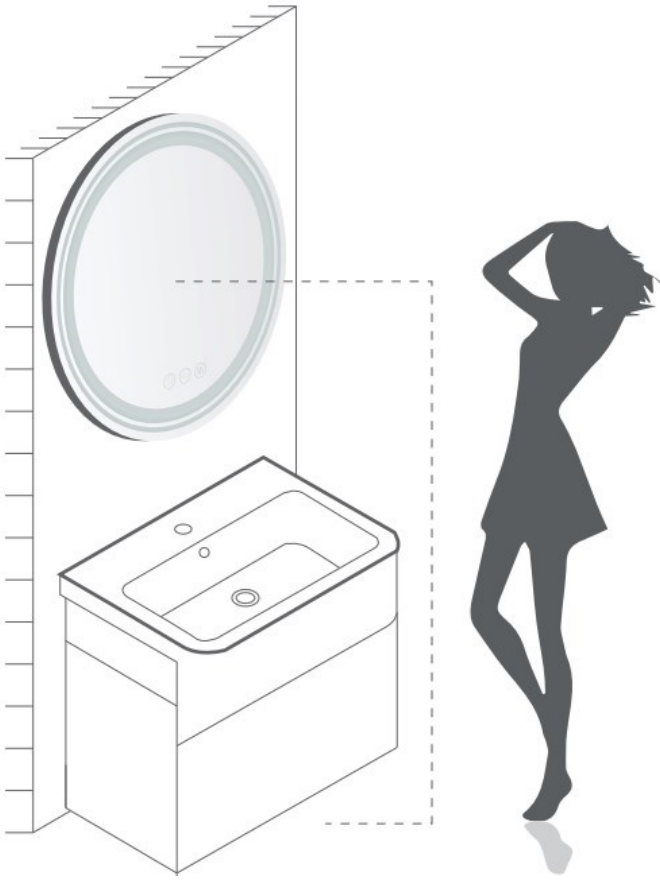
Product Name	Specification
Watt Range	18w-72w
Operating Temperature	-20 to 50 l'
LED Light Temperature	2700K to 6000K
Input Voltage	100-240V
Output Voltage	12V/24V
Product Certification	CE UKCA UL SAA
Waterproof Rating	IP44
Service Life	> 20000HRS
CRI	*p 90Ra

Product Installation

Installation Precautions

1. When installing the bathroom mirror, please first pick up the bathroom mirror and confirm the best installation height for marking, then punch for installation
2. Make sure your face is in the middle of the mirror for a better image.

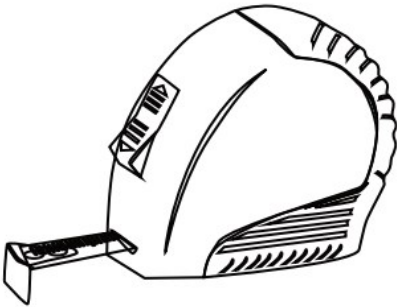
Recommend Height



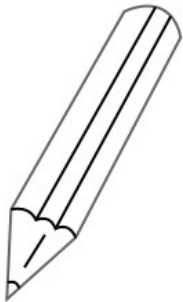
Round / Oval Bathroom Mirror Installation

Tools to be prepared

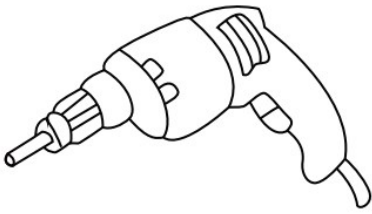
- Tape Measure



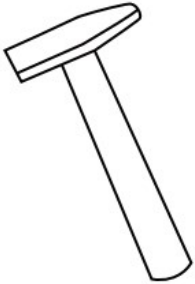
- Pencil



- Drill



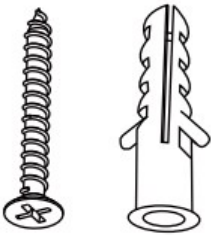
- Hammer



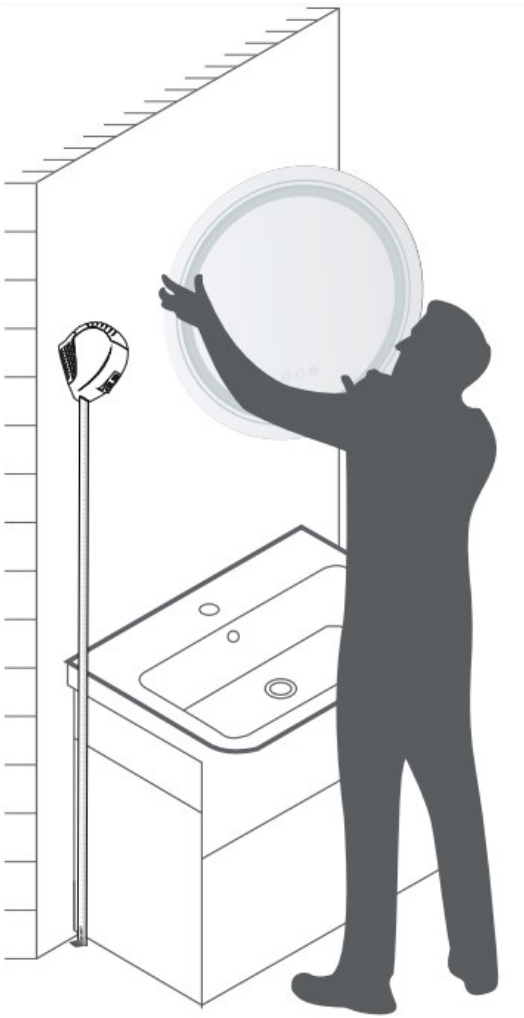
- Screwdriver



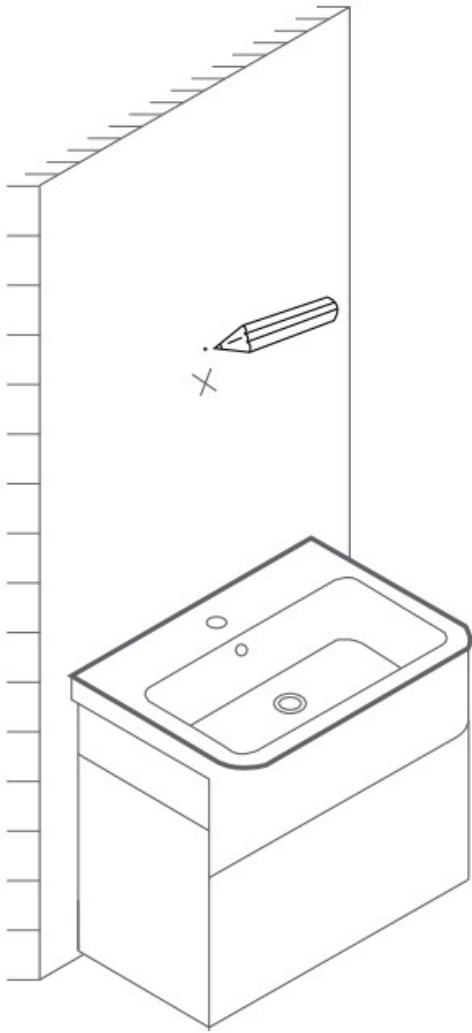
- Screw Kit (Set)



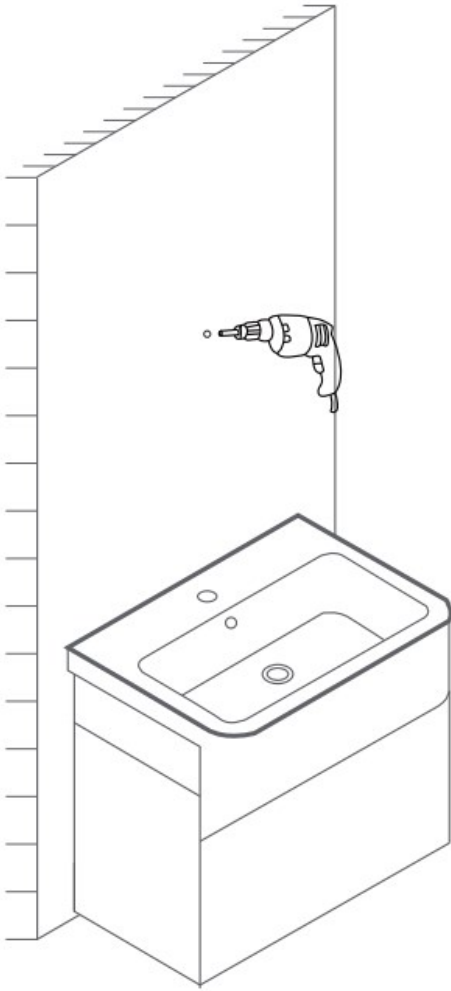
1. Measure the best installation height with a tape measure.



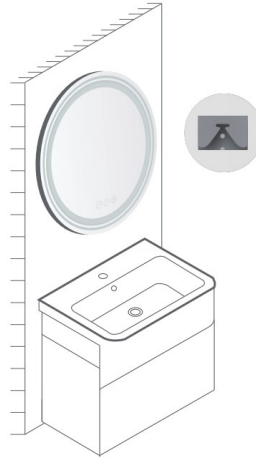
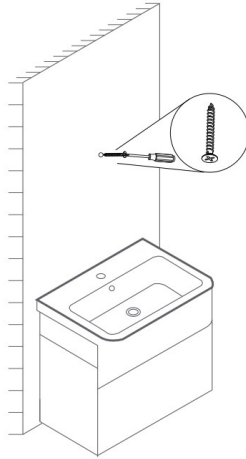
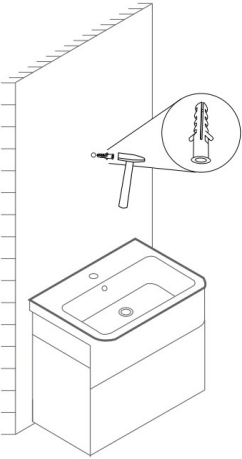
2. Mark the wall with a pencil.



3. Drill the marks with an electric drill.



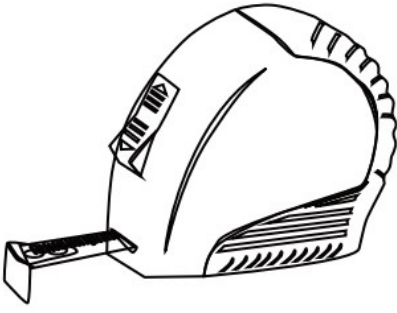
4. Drive the expansion rubber plug into the hole.
5. Drive a screw into the hole.
6. Hang up the bathroom mirror.



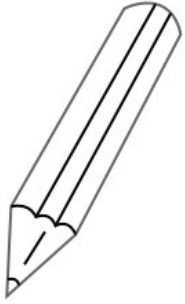
Square Bathroom Mirror (Vertically/Horizontally)

Tools to be prepared

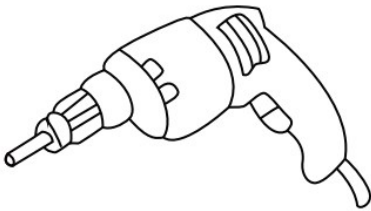
- Tape Measure



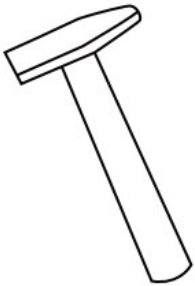
- Pencil



- Drill



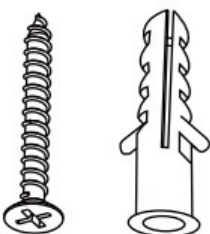
- Hammer



- Screwdriver

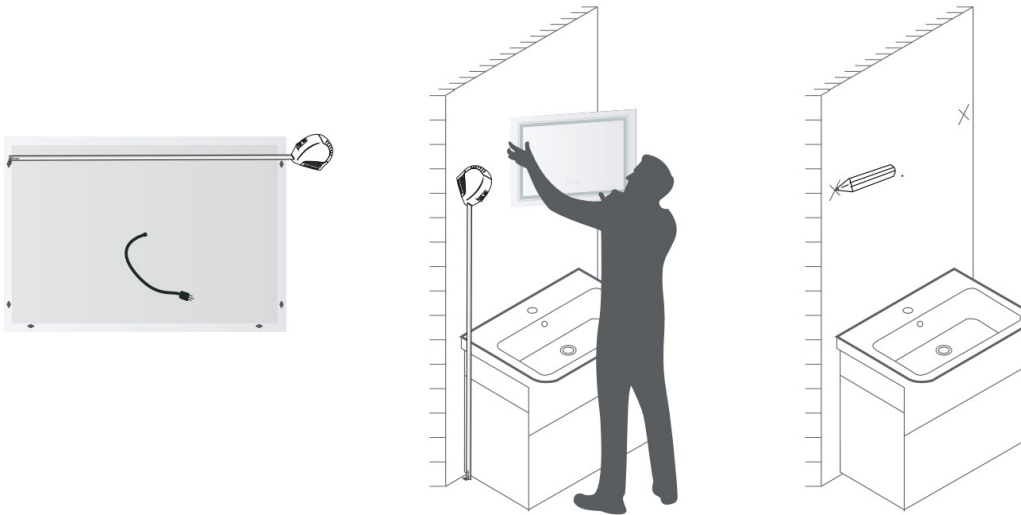


- Screw Kit (Set)

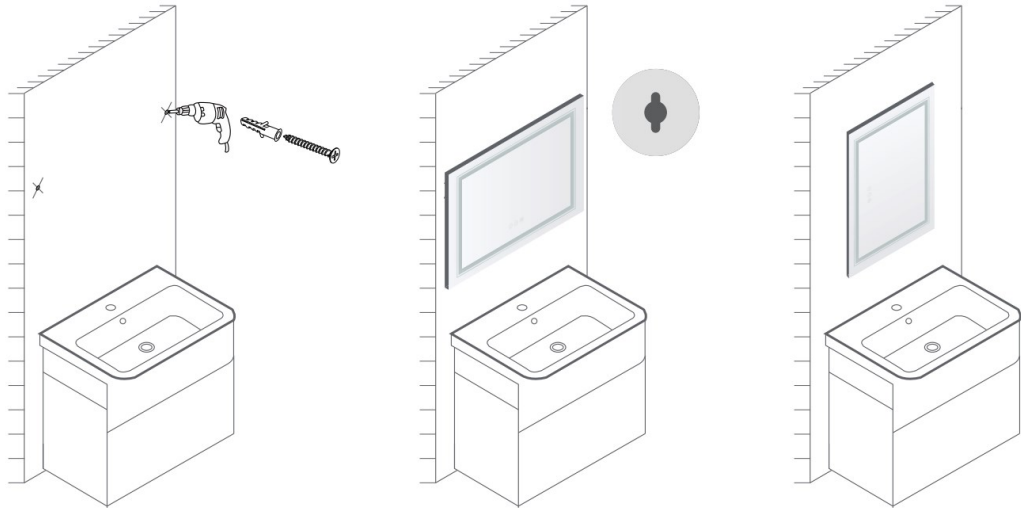


1. Measure the distance of the bathroom mirror hook.

2. Lift the bathroom mirror up to confirm the best mounting height.
3. Mark the wall with a pencil.



4. Drill the marks with an electric drill. Drive a screw and an expansion plug into the hole.
5. Hang up the bathroom mirror.
6. You can hang it vertically in the same way.

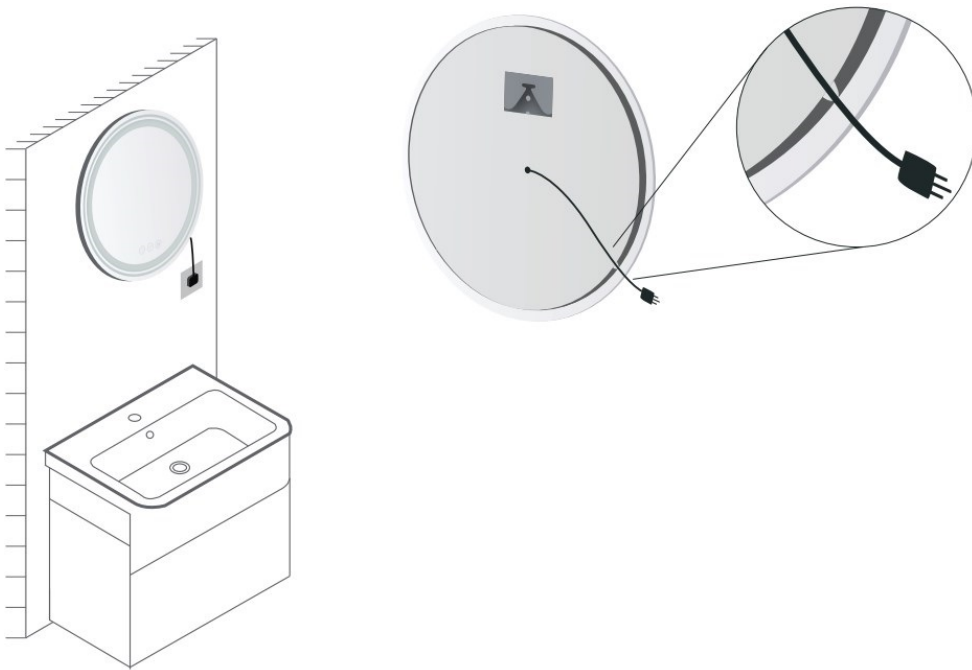


Wiring Method

Method 1:

Power Plug

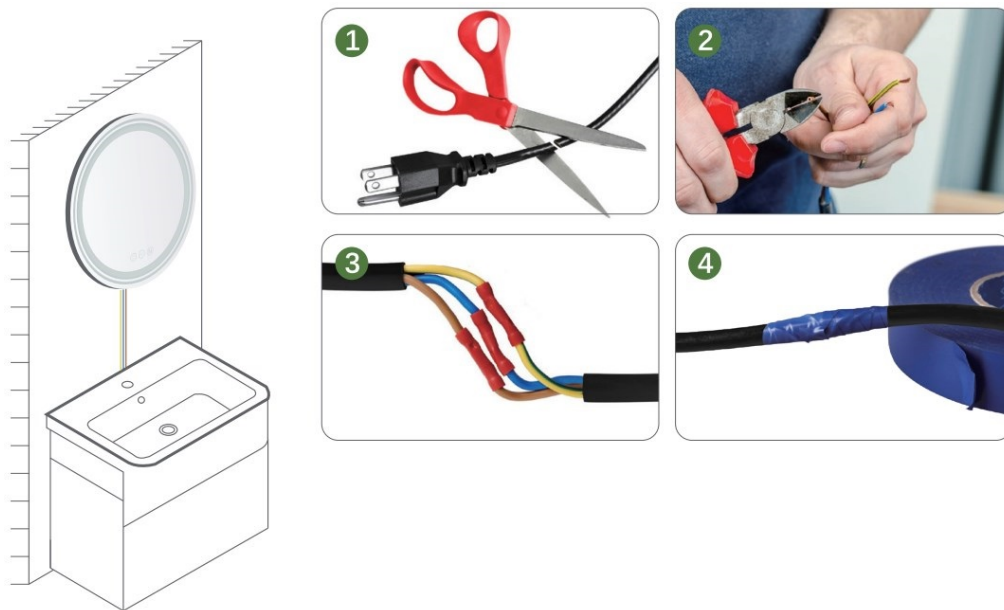
Extend the line of the bathroom mirror from the grooves on the side and plug it in to use.



Method 2:

Reserved Wire

Cut off the plug of bathroom mirror with scissors and connect the reserved thread.



Method 2:

Control the light with a wall switch

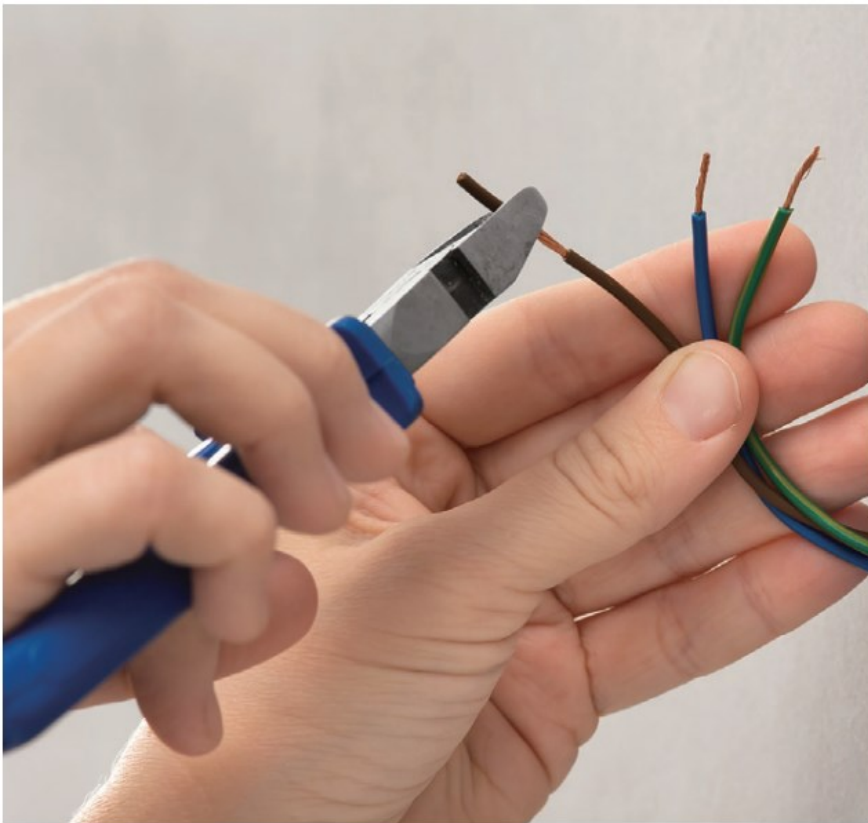
Cut off the plug of mirror, hardwire to a wall switch.



	Australian	American	European	British	Japanese
Live Wire					
Neutral Wire					
Earth Wire					No Earth Wire

Warm Tips

1. When wiring, pay attention to the electricity specification, and use waterproof tape to operate;
2. After using the defogging function, turn off the function in time to prevent the defogging film from being damaged;
3. Bathroom mirror light strip and defogging film can be replaced if damaged;



If you have any suggestions or advice, please feel free to e-mail our customer services.

Fault Isolation Manual

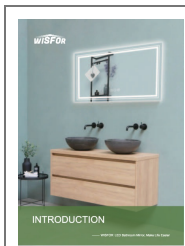
Fault	Status	Fault Isolation	Solutions
Switch on, but the light is out of work	The touch witch do esn't work	Led drive go wrong	Change the led driv er
	The touch witch wo rks	A.switch pedestal have poor contact	Replace the switch pedestal
		B.poor contact between the led strip and ter minal connection	Rewire again
		C.led strip damage	Replace the led stri p
Thermal Fuse does n't work	The touch witch wo rks	Needs to wait for 3-5min, the Thermal Fuse area can be heating	Normal
		The Thermal Fuse get damaged if there is sti ll no heating effect after Smin	Change the Therma l Fuse



WISFOR LED Bathroom Mirror, Make Life Easier



Documents / Resources



[WISFOR XMR-C28 28 in. W x 36 in. H Large Rectangular](#) [pdf] Instructions
XMR-C28 28 in. W x 36 in. H Large Rectangular, XMR-C28, 28 in. W x 36 in. H Large Rectangular, Large Rectangular

[Manuals+](#)