



# Wayne Dalton 3977 Wireless RF Multi Function Wall Station Instructions

[Home](#) » [Wayne Dalton](#) » Wayne Dalton 3977 Wireless RF Multi Function Wall Station Instructions 

## Contents

- [1 Wayne Dalton 3977 Wireless RF Multi Function Wall Station](#)
- [2 Wall Station Installation](#)
- [3 Programming Wall Station](#)
- [4 Wireless RF Multi-Function Wall Station](#)
- [5 Limited Warranty](#)
- [6 FCC and IC Statement](#)
- [7 Documents / Resources](#)
  - [7.1 References](#)
- [8 Related Posts](#)



**Wayne Dalton 3977 Wireless RF Multi Function Wall Station**



### Wireless RF Multi-Function Wall Station MODEL # 3977

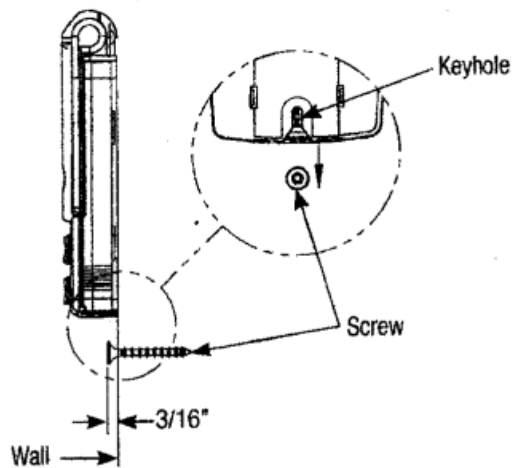
- Wayne-Dalton Corp. P.O. Box 67 Mt. Hope,
- OH 44660 (888) 827-3667
- [www.wayne-dalton.com](http://www.wayne-dalton.com)

**WARNING** DURING PROGRAMMING THE GARAGE DOOR MAY OPERATE. KEEP PEOPLE AND OBJECTS CLEAR OF THE MOVING DOOR TO PREVENT DOOR DAMAGE OR POSSIBLE PERSONAL INJURY.

### Wall Station Installation

The wall station can be mounted to a NEMA standard electrical device box or directly to any wall surface. No wiring is required. Select appropriate place to mount wall station. Locate it at least five feet up from the floor. If possible, install on wood framing. If fastening into drywall or concrete, use anchors provided. Using a 3/32" drill bit and the drilling template located on page 2, drill the two mounting holes. Drill 3/16" holes if using anchors. Install lower screw leaving 3/16" of the screw exposed. Slide wall station keyhole slot onto the lower screw. Wall station should slide onto screw, providing a snug fit. If necessary, remove wall station and loosen or tighten lower screw. Once wall station is fitted snugly on lower screw, install upper screw. Do not over tighten.

**CAUTION:** Over-tightening the screws could deform plastic case. If a wall station button is sticking or not working, try adjusting mounting screw. If mounting to a NEMA electrical device box use machine thread screws provided in place of the wood screws. No drilling is required. If high voltage wiring is contained in the box a standard NEMA solid faceplate must be installed between the box and the wall station.



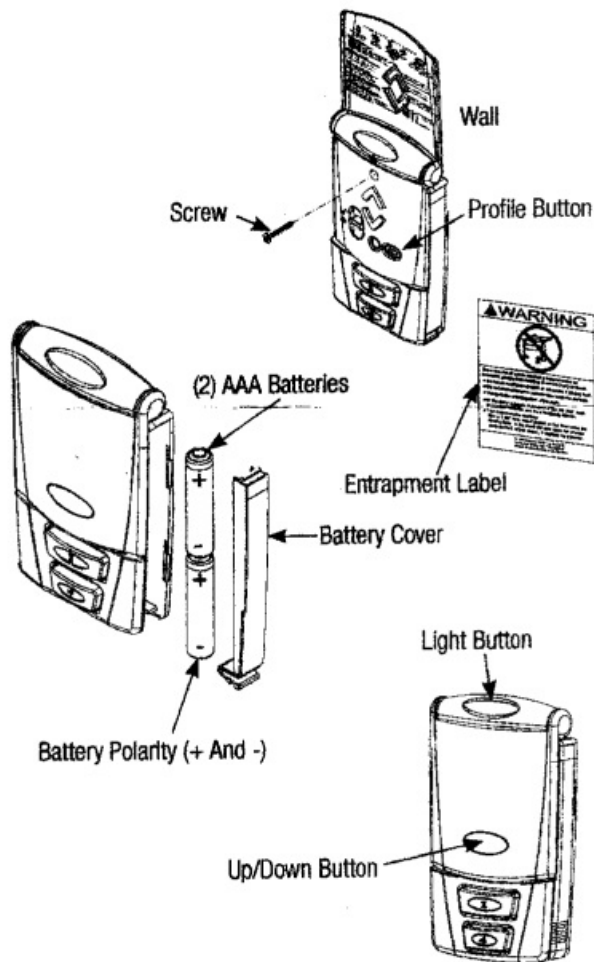
If mounting to a NEMA electrical device box use machine thread screws provided in place of the wood screws. No drilling is required. If high voltage wiring is contained in the box a standard NEMA solid faceplate must be installed between the box and the wall station.

### **Battery Replacement**

Remove the battery cover completely (right-hand side of wall station) by disengaging the battery cover's lower clip. Install two AAA batteries into the wall station observing the polarity. (+) and (-), of both batteries. After a few seconds, the Up/Down red LEDs will begin to blink once every two seconds. Re-install the battery cover by first inserting its top into the wall station then inserting and securing its bottom. Apply entrapment label in convenient location next to the wall station.

### **Programming Wall Station**

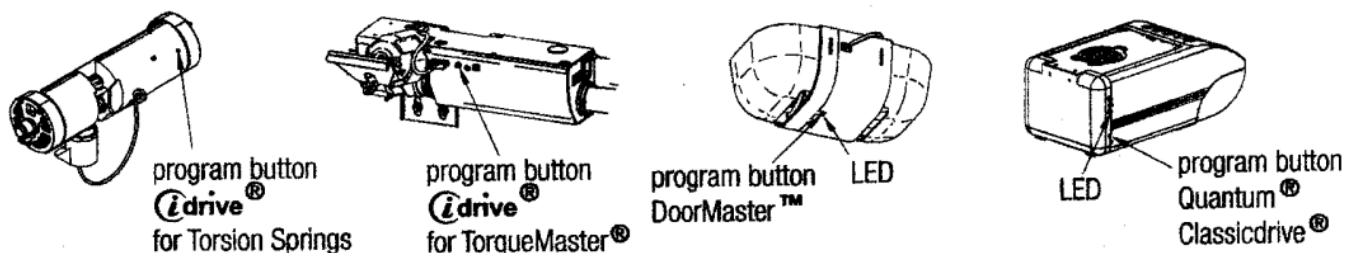
1. With the garage door fully closed, pull the emergency disconnect handle to the manual door-operated position (lower position). This is for safety reasons.
2. Press and release program button on opener. Status LED will light or idrive® opener will beep once.
3. Press and hold wall station light button for 1-2 seconds; status LED will go off or opener will beep once.
4. Return the emergency disconnect handle to motor operated position (upper position).
5. Press wall station up/down button for 1-2 seconds; Door should operate.



**NOTE:** idrive® model only- The first wall station command after programming will only move the door through a six-inch up/down cycle. Normal door operation will occur on all subsequent commands.

Rapid DoorMaster™ light fixture LED blinking not preceded by the brief on period or no beep response from idrive® indicates a programming failure. Repeat steps 1-5.

**NOTE:** Refer to opener's Installation Instructions and Owner's Manual for additional operating information. A copy of the Installation Instructions and Owner's Manual for your opener can be obtained by visiting [www.wayne-dalton.com](http://www.wayne-dalton.com) or calling 1-888-827-3667.



**WARNING** A WARNING NEVER LET CHILDREN OPERATE OR PLAY WITH DOOR CONTROLS. KEEP REMOTE CONTROLS AWAY FROM CHILDREN. FATAL INJURY COULD RESULT SHOULD A CHILD BECOME TRAPPED BETWEEN THE DOOR AND THE FLOOR.

**WARNING** ALWAYS KEEP MOVING DOOR IN SIGHT AND KEEP PEOPLE AND OBJECTS AWAY UNTIL DOOR IS COMPLETELY CLOSED. TO PREVENT SEVERE OR FATAL INJURY, AVOID STANDING IN THE OPEN DOORWAY OR WALKING THROUGH THE DOORWAY WHILE DOOR IS MOVING.

## Wireless RF Multi-Function Wall Station

Model # 3977 90-Day

## Limited Warranty

- The Manufacturer warrants that the Wireless RF Multi-function Wall station will be free from defects in materials and workmanship for a period of NINETY DAYS from the date of installation, provided it is properly maintained and cared for under normal use and service.
- This Warranty extends to the original homeowner, providing the Wireless RF Multi-function Wall station is installed in his/her place of primary residence. It is not transferable. The warranty applies to residential property only and is not valid on commercial or rental property.
- NO EMPLOYEE, DISTRIBUTOR, OR REPRESENTATIVE IS AUTHORIZED TO CHANGE THE FOREGOING WARRANTIES IN ANY WAY OR GRANT ANY OTHER WARRANTY ON BEHALF OF MANUFACTURER.
- The Manufacturer shall not be responsible for any damage resulting to or caused by its products by reason of installation, improper storage, unauthorized service, alteration of products, neglect or abuse, any acts of nature beyond Manufacturer's control (such as, but not limited to, lightning, power surges, water damage, etc.), or attempt to use the products for other than the customary usage or for their intended purposes. The above warranty does not cover normal wear or any damage beyond Manufacturer's control or replacement labor.
- THIS WARRANTY COVERS A CONSUMER PRODUCT AS DEFINED BY THE MAGNUSON-MOSS WARRANTY ACT. NO WARRANTIES, EXPRESSED OR IMPLIED, (INCLUDING, BUT NOT LIMITED TO, THE WARRANTY OF MERCHANTABILITY OR FITNESS FOR A PARTICULAR PURPOSE), SHALL EXTEND BEYOND THE APPLICABLE TIME PERIOD STATED IN BOLDFACE TYPE ABOVE.
- Claims for defects in material and workmanship covered by this warranty should be made in writing within the warranty period to the dealer from whom the product was purchased. Manufacturer may either send a service representative or have the product returned to the Manufacturer at Buyer's expense for inspection. If judged by Manufacturer to be defective in material or workmanship, the product will be replaced or repaired at the option of the Manufacturer, free from all charges except authorized transportation and replacement labor.
- THE REMEDIES OF BUYER SET FORTH HEREIN ARE EXCLUSIVE AND ARE IN LIEU OF ALL OTHER REMEDIES, THE LIABILITY OF MANUFACTURER, WHETHER IN CONTRACT, TORT, UNDER ANY WARRANTY OR OTHERWISE, SHALL NOT EXTEND BEYOND ITS OBLIGATION TO REPAIR OR REPLACE, AT ITS OPTION, ANY PRODUCT OR PART FOUND BY MANUFACTURER TO BE DEFECTIVE IN MATERIAL OR WORK SHALL NOT BE RESPONSIBLE FOR ANY DIRECT, INDIRECT, SPECIAL OR CONSEQUENTIAL DAMAGES OF ANY NATURE. This Warranty gives you specific legal rights, and you may have other rights, which may vary from state to state. However, some states do not allow limitations on how long an implied warranty lasts or the exclusion or limitation of incidental or consequential damages so the above limitations or exclusions may not apply to you.

## FCC and IC Statement

See regulatory information: This device complies with Part 15 of the FCC Rules. Operation is subject to the following two conditions:

1. this device may not cause harmful interference, and
2. this device must accept any interference received, including interference that may cause undesired operation.

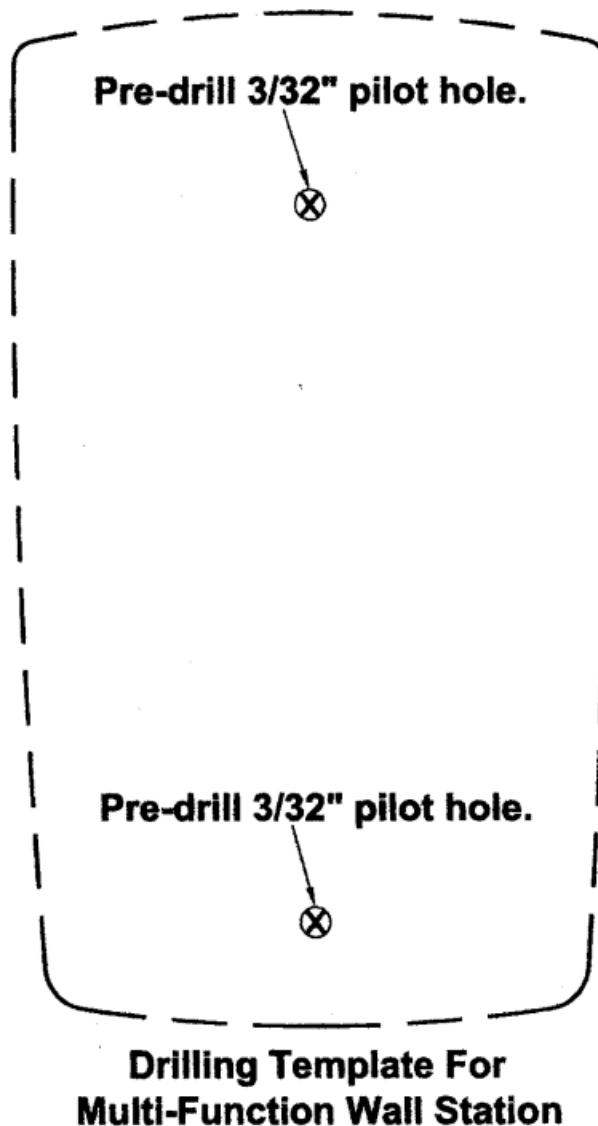
**IC Regulatory Information:** This Class B digital apparatus meets all requirements of the Canadian Interference Causing Equipment Regulations. Operation is subject to the following two conditions:

1. this device may us meet al requirements of the Canav int not cause harmful interference, and
2. this device must accept any interference received, including interference that may cause undesired operation.

**NOTE:** This equipment has been tested and found to comply with the limits for a Class B digital device, pursuant to Part 15 of the FCC Rules. These limits are designed to provide reasonable protection against harmful interference in a residential installation. This equipment generates, uses, and can radiate radio frequency energy and, if not installed and used in accordance with the instructions, may cause harmful interference to radio communications. However, there is no guarantee that interference will not occur in a particular installation. If this equipment does cause harmful interference to radio or television reception, which can be determined by turning the equipment off and on, the user is encouraged to try to correct the interference by one or more of the following measures: Reorient or relocate the receiving antenna. Increase the separation between the equipment and receiver. Connect the equipment into an outlet on a circuit different from that to which the receiver is connected. Consult the dealer or an experienced radio/TV technician for help.

**WARNING:** Changes or modifications to this unit not expressly approved by party responsible for compliance could void user's authority to operate this equipment.

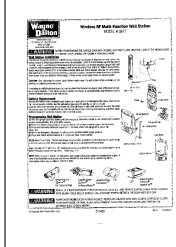
**Questions??** For quick answers and helpful advice, call Wayne-Dalton Customer Service (888) 827-3667



#### **Wireless RF Mutt-function**

Wall station Grilling is not required I mount it to a NEMA electrical device box. Use the machine thread screws provided.

## Documents / Resources



[Wayne Dalton 3977 Wireless RF Multi Function Wall Station](#) [pdf] Instructions  
3977 Wireless RF Multi Function Wall Station, 3977, Wireless RF Multi Function Wall Station, R  
F Multi Function Wall Station, Multi Function Wall Station, Function Wall Station, Wall Station, St  
ation

## References

-  [Manual-Hub.com - Free PDF manuals!](#)
- [User Manual](#)

### Manuals+. Privacy Policy

This website is an independent publication and is neither affiliated with nor endorsed by any of the trademark owners. The "Bluetooth®" word mark and logos are registered trademarks owned by Bluetooth SIG, Inc. The "Wi-Fi®" word mark and logos are registered trademarks owned by the Wi-Fi Alliance. Any use of these marks on this website does not imply any affiliation with or endorsement.