



## **WPC002 Web Panel Series 1**



# **WACHENDORFF WPC002 Web Panel Series 1 Installation Guide**

[Home](#) » [WACHENDORFF](#) » [WACHENDORFF WPC002 Web Panel Series 1 Installation Guide](#) 

### **Contents**

- [1 WACHENDORFF WPC002 Web Panel Series 1](#)
- [2 Product Information](#)
- [3 Product Usage Instructions](#)
- [4 Guarantee conditions](#)
- [5 Safety instructions](#)
- [6 Commissioning](#)
- [7 Assembly instructions](#)
- [8 Voltage connection](#)
- [9 Interface arrangement](#)
- [10 Settings in the AutomationBrowser](#)
- [11 Ordering information](#)
- [12 Disclaimer](#)
- [13 Other provisions and standards](#)
- [14 Technical consulting & service](#)
- [15 Documents / Resources](#)
  - [15.1 References](#)
- [16 Related Posts](#)



**WACHENDORFF WPC002 Web Panel Series 1**



## Product Information

### Specifications

- **Product Name:** WACHENDORFF WebPanel Series 1
- **Model:** WPC002-xxxxxxxxxxxxxxxxx2P
- **Power Supply:** 12 to 32 VDC
- **Compatibility:** Most controller DC systems

### Product Usage Instructions

#### Guarantee Conditions

Defective devices are either repaired or replaced under specific conditions. Please note that the warranty may be void under certain circumstances such as age, damage due to misuse, unauthorized repairs, or removal of labeling.

#### Safety Instructions

- **Power Supply:** Ensure to use an output power that complies with SELV requirements. Connect both power supply connections from the same voltage source.
- **Fuse/Switch On:** If the display does not switch on within 5 seconds, switch it off and check the wiring before trying again.
- **Overvoltage:** Ensure adequate isolation from main power supply and similar hazards for DC voltage sources.
- **EMERGENCY STOP:** Install a hard-wired EMERGENCY STOP in every system to meet safety recommendations.

**Supply Voltage Conditions:** Do not switch on the device under inductive load or use the same supply voltage as the controller.

## Wiring

Be cautious with wiring to prevent internal faults and unintentional device start. Take precautions with programmable controls to avoid property damage or operator injury.

## Commissioning

Refer to the installation instructions for commissioning and installation of the Wachendorff WebPanel WPC002xxxxxxxxxxxxx2P. Detailed specifications and applications can be found in the data sheet.

## FAQ

- **Q: What should I do if the display does not switch on?**

**A:** If the display does not switch on within 5 seconds, switch it off, check the wiring, and try switching it on again.

- **Q: Can I use different power sources for the two connections?**

**A:** It is recommended to use the same voltage source for both power supply connections.

## Foreword

Thank you for choosing a Wachendorff product. We trust that the product will provide you with many years of valuable service. To ensure that the product has a long life expectancy, please check and compare all connections of the device with the installation instructions before switching on the device.

## Guarantee conditions

Defective devices are either repaired or replaced.  
However, this does not apply to the following points:

1. The warranty is void if the appliance is older than 3 years from the date of purchase.
2. Damage caused by force majeure, accident, negligence, improper installation or misuse.
3. The product was put into operation or repaired by unauthorised personnel.
4. By removing or damaging labelling.

## Warning

Ensure that all local and national electrical standards are complied with when installing the appliance.

## Safety instructions

- **Power supply:** Use an output power that complies with SELV (Safety Extra-Low Voltage) requirements. The device can only be operated with direct current, voltage range: 12 to 32 VDC, compatible with most controller DC systems. If both connections are to be used in parallel for the power supply, the power supply must come from the same voltage source.
- **Fuse/switch on:** Secure your system/machine properly. If the display does not switch on within 5 seconds of switching on, switch it off. Check that the wiring is correct and try switching the device on again.
- **Overvoltage:** DC voltage sources should ensure adequate isolation from the main power supply and similar hazards.
- **EMERGENCY STOP:** A hard-wired EMERGENCY STOP should be installed in every system to fulfil the ICS safety recommendations.
- **Supply voltage conditions:** Do not switch on the device under inductive load or use the same supply voltage

as the controller.

**Note:** The 24 VDC output of some controllers does not supply enough current to operate the monitor.

**Wiring:**

- a. The length of the power cables should be minimised (max: 500m shielded, 300m unshielded).
- c. If the wiring could be exposed to a lightning strike or overvoltage, suitable surge arresters must be used.
- d. Keep AC, high-energy and fast-switching DC power cables separate from signal cables.
- e. Add a resistor and a capacitor in the parallel circuit between the unearthed DC power supply and the housing earth. This provides a path for static and high frequency power dissipation. Typical values are 1M Ohm and 4,700pF.

You should be aware that the devices could fail due to an internal fault and thus reach an unsafe state. In addition, electrical faults in the user interface can lead to an unintentional start of the connected devices. This can lead to property damage and/or injury to the operator. If you use programmable controls that require an operator, be aware of the safety risks and take appropriate precautions.

**Commissioning**

This document describes the commissioning and installation of the Wachendorff WebPanel WPC002-xxxxxxxxxxxxxxxx2P. Detailed descriptions of the specifications and applications can be found in the data sheet.

Electronic Surroundings	The WPC002-xxxxxxxxxxxxxxxx2P has been tested and fulfils the European CE requirements. This means that the electronics in the device are protected against external electrical influences. In special cases, however, there is no complete protection. Correct installation of the cables and proper earthing will ensure that the device functions perfectly.
Environment	<ul style="list-style-type: none"> <li>• Ensure that the device has been installed correctly and that the device specifications have been adhered to. Avoid installing the devices in locations where mechanical vibrations or shocks are present.</li> <li>• Do not work with the appliance in places where there is a risk of explosion, e.g. due to flammable gases, vapours or dust.</li> <li>• Do not install the appliance in places where corrosive gases such as SO2 exist.</li> <li>• The device is designed for vertical installation on a flat surface.</li> <li>• Do not expose the appliance to direct sunlight or other sources of heat.</li> <li>• Relative humidity: 10 % to 90 % (non-condensing)</li> </ul>
IP protection class	IP65 / front
Cleaning instructions	Disconnect the appliance from the power supply before cleaning it. Clean the appliance with cloths moistened with clean water. Do not use liquid or spray cleaning agents for cleaning.

**Unpacking the appliance**

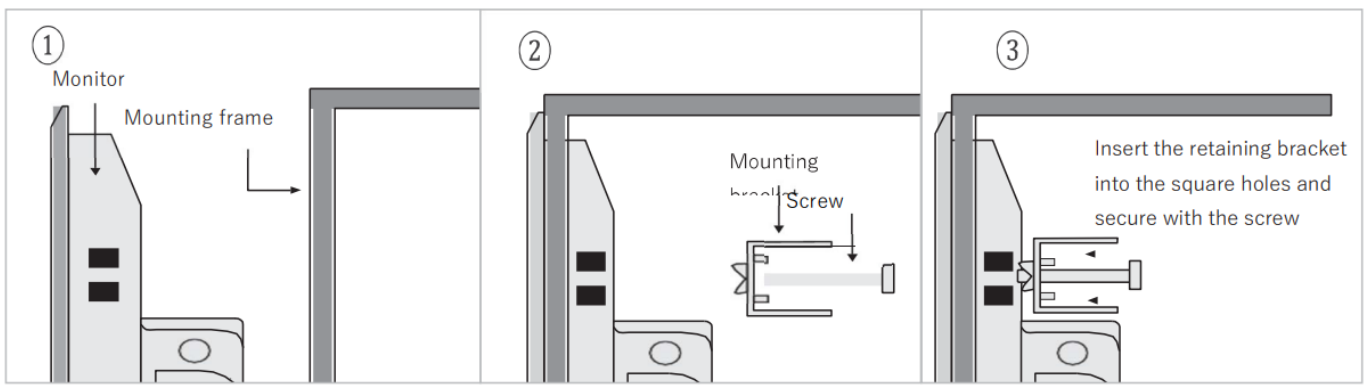
Unpack the delivery and check that it is complete. If any damage is found, inform the supplier.

## Contents

1. Installation instructions
2. WPC02-xxxxxxxxxxxxxxxxxx2P
3. Fastening material

## Assembly instructions

Use a mounting frame that provides sufficient rigidity. Refer to the data sheet for the cut-out dimensions. Fasten the monitor with all mounting holes and the brackets and screws supplied. Screw torque: 0.294 to 0.441 Nm. (To achieve a watertight effect and to prevent deformation of the panel). Plan sufficient space around the appliance and inside the installation location for ventilation and cables. Take into account the heat from other devices inside the installation location. The ambient temperature around the appliance must be between -10 and 60°C. It is recommended to allow a distance of 3 cm between the back of the appliance and other appliances.



## Voltage connection

The WebPanel has 2 connections for the power supply:



unit

- 12-pole terminal strip for 12 to 36 VDC, or
- Socket for 12 to 36 VDC via external power supply unit (accessory)

### Connect:

#### • 12-pole terminal strip for 12 to 36 VDC:

1. connect the “+” line of your DC voltage source to the “12-36V” input of the 12-pin terminal strip and the “-” line to the “GND” input.
  2. To avoid potential differences and damage to the USB ports, NEVER connect the WebPanel to multiple devices with different ground potentials.
- Socket for 12 to 36 VDC via external power supply unit: An external power supply unit is available as an accessory for connection to the mains voltage of 230 VAC. Only use this power supply unit. This is not included in the scope of delivery.

**Caution:** NEVER use both connections at the same time. This can lead to damage.

## Interface arrangement

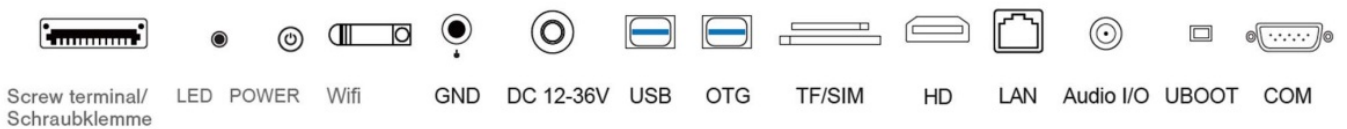
**RK3399:**



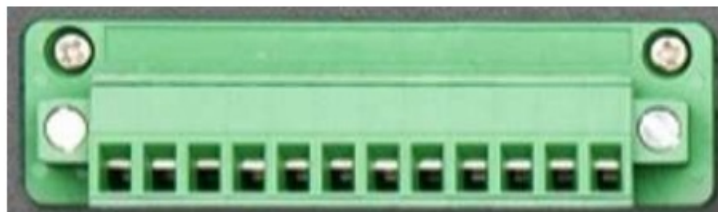
10.1" to 12.1"



12.2" to 22.8"



**12-pole screw terminal:**



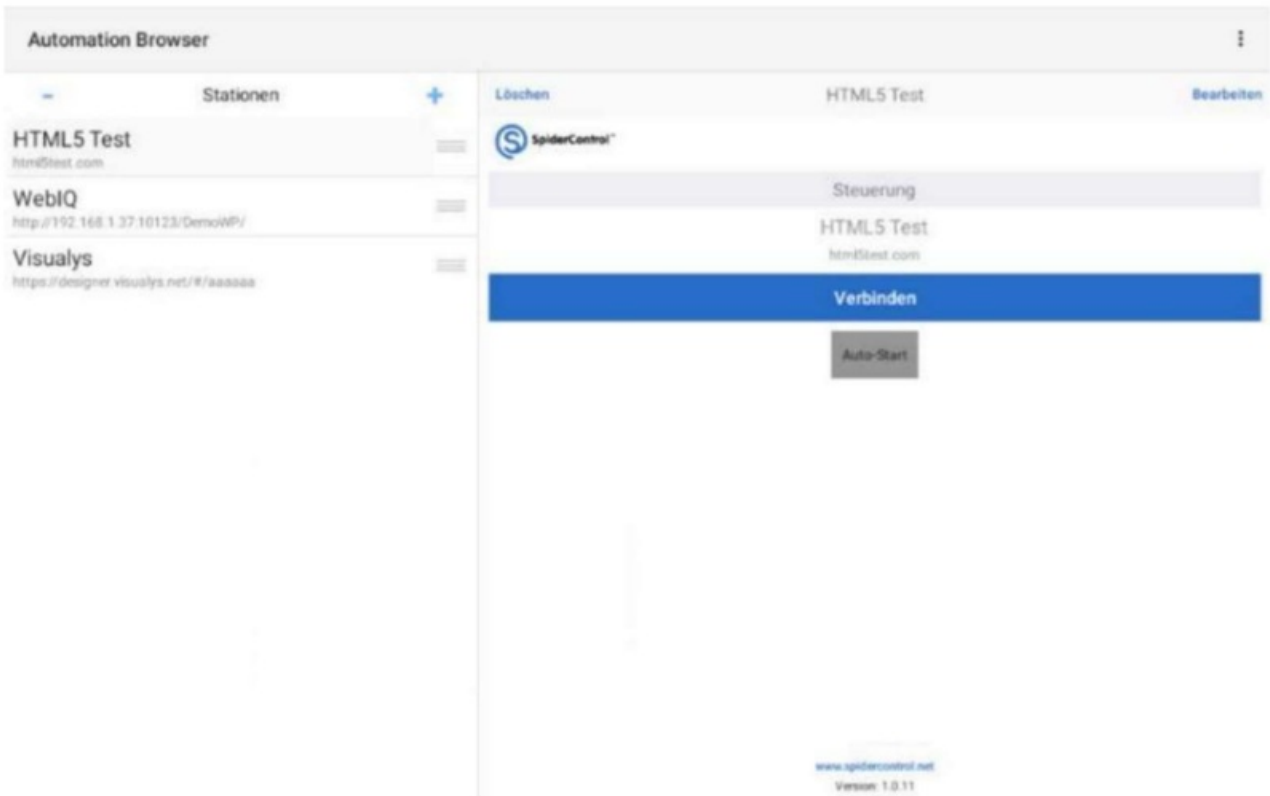
PIN	Description of the
1	12-36 VDC (supply)
2	GND (supply)
3	GND
4	RS232 TX
5	RS232 RX
6	RS485A
7	RS485B
8	IO0 (TTL)
9	IO1 (TTL)
10	IO2 (TTL)
11	IO3 (TTL)
12	IO4 (TTL)

## Interfaces

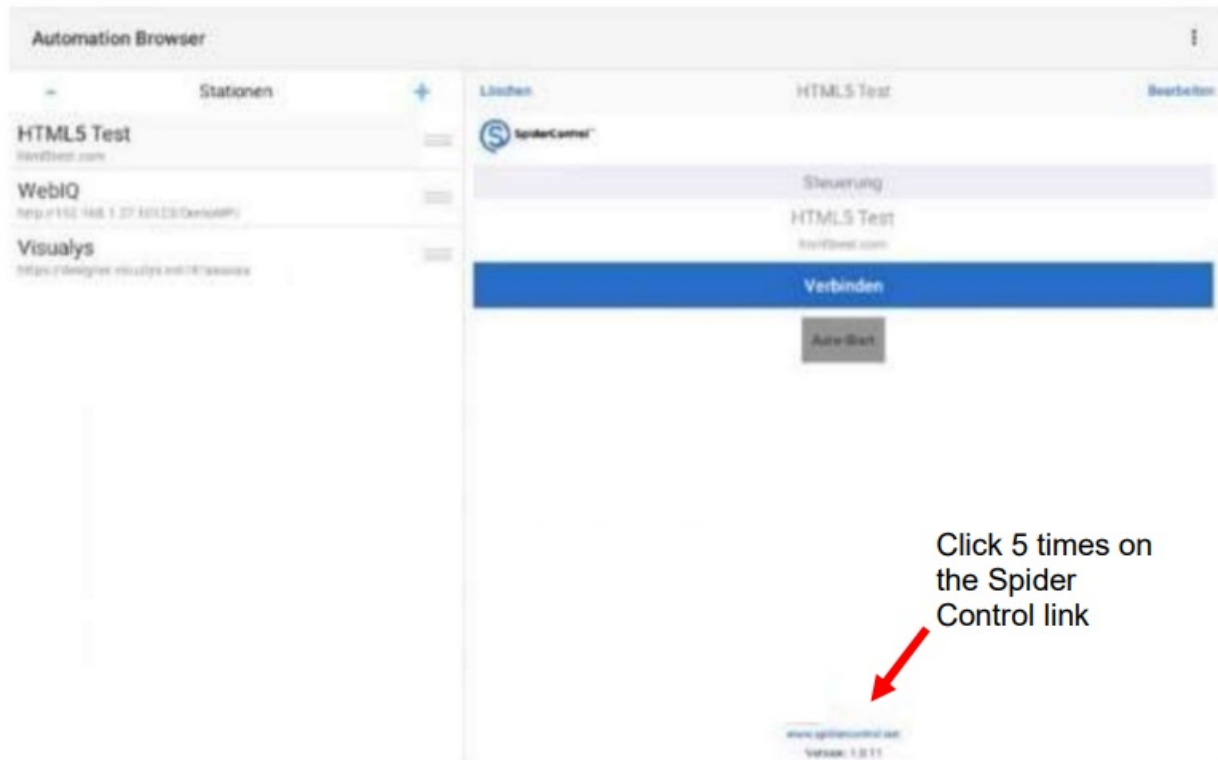
Interface	Quantity and description
USB	1x USB 3.0 type A, 1x USB 2.0 (USB/OTG)
TF	1x memory card microSD slot (without function, only as an option)
SIM	1x SIM card slot (without function, only as an option)
Serial	1x RS-232 DB-9
Ethernet	1x RJ-45 Gigabit Ethernet
WLAN	1x IEEE 802.11 a/b/g/n/ac/ax
Bluetooth:	1x Bluetooth 5.0
Display	1x HDMI,
Submarine	1x button for flashing the device (support only)
Audio	1x audio out, 3.5 mm jack

## Settings in the AutomationBrowser

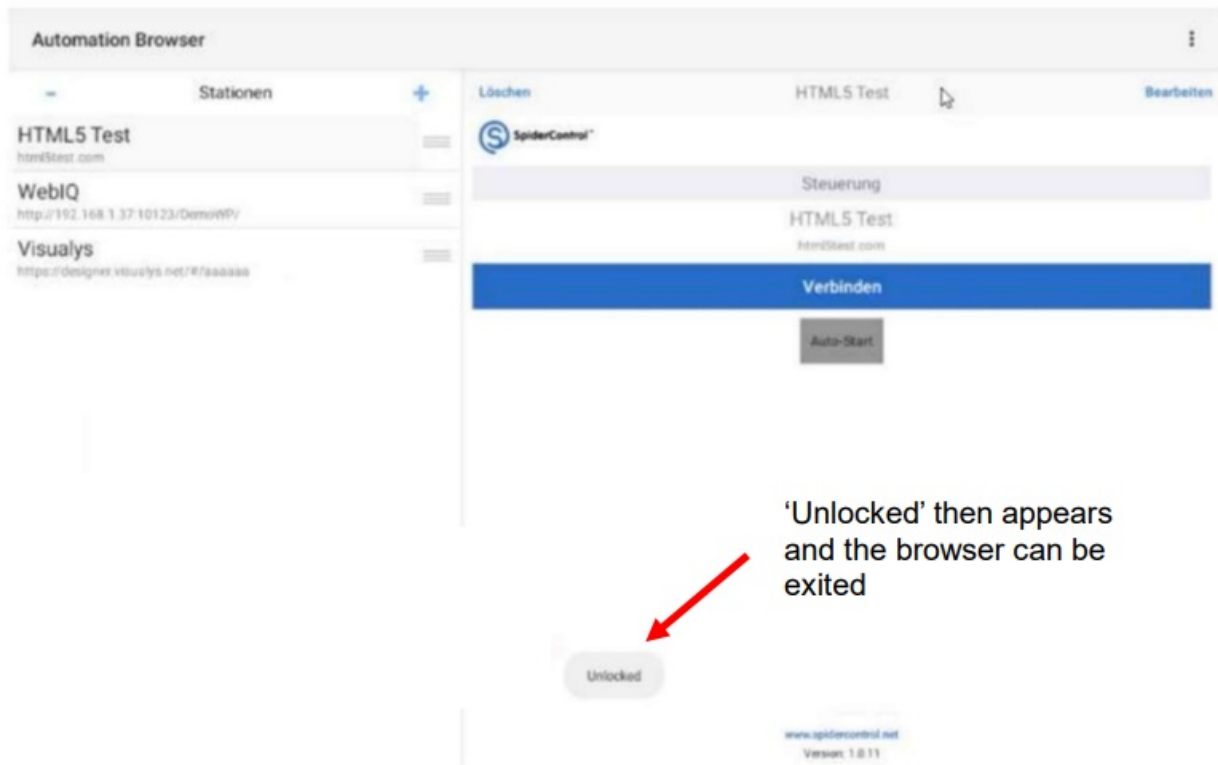
All web panels with the suffix “-A” in the article number are supplied with the SpiderControl™ Automation Browser from Ininet. For the settings in the Automation Browser, use the corresponding manual “AutomationBrowser”, which is available for download on our website (<https://www.wachendorff-prozesstechnik.de/downloads/panel-pc/>).



If you have selected the AutomationBrowser as a general and permanent application, you can cancel this selection by unlocking it.







### Setting options rear side

The buttons on the back of the WebPanel have no function.

### Battery replacement

A 3.0 V Li/MnO<sub>2</sub> button cell (CR2032) is installed in the web panel. The battery may only be replaced by qualified personnel and care must be taken when handling lithium batteries.

### Ordering information

Article description	Order no.
WebPanel, xx" TFT, with or without touch	WPC002-xxxxxxxxxxxxxxxxx2P
External power supply unit, 230 VAC to 24 VDC with hollow plug and C14 plug (without 230 VAC connection cable)	DPL-PWRADAP_24VDC1.5A
230 VAC connection cable Power supply unit Panel PC	PPC-PWRCRD_01

### Copyright

This document is the property of Wachendorff Prozesstechnik GmbH & Co.KG. Copying and reproduction are prohibited without prior authorisation. The contents of this documentation refer to the device described therein.

### Disclaimer

All technical content within this document may be modified without prior notice. The content of this document is subject to periodic revision. Repairs will be charged to the user in the event of loss due to fire, earthquake, third party interference or other accidents, or in the event of intentional or accidental misuse or abuse, or use under abnormal conditions. Wachendorff Prozesstechnik is not liable for accidental loss due to use or non-use of this product, such as loss of business revenue.

Wachendorff Prozesstechnik is not liable for the consequences of improper use.

## Radio frequencies and maximum transmission power

Frequency band	Transmission power
2400 – 2483.5 MHz	20dBm EIRP max (100mW)
5150 – 5725 MHz	23dBm EIRP max (200mW)

## Other provisions and standards

### WEEE information

Disposal of old electrical and electronic equipment (valid in the European Union and other European countries with a separate collection system) This symbol on the product or on the packaging means that this product must not be treated as household waste. Instead, this product should be taken to the appropriate disposal point for the recycling of electrical and electronic equipment. If the product is disposed of correctly, you will help to prevent negative environmental impacts and damage to health that could be caused by improper disposal. Recycling material will preserve our natural resources. For more information on how to recycle this product, please contact your local city office, your household waste collection service or the retailer where you purchased this product.

### RoHS Directive

The device complies with the latest version of the 2011/65/EU Directive on the restriction of the use of certain hazardous substances in electrical and electronic equipment (commonly referred to as the Restriction of Hazardous Substances Directive or RoHS).

### RED Directive

The device complies with the latest version of the 2014/30/EU (Electromagnetic Compatibility Directive) and 2014/53/EU (Radio Equipment Directive, RED) directives.

A complete version of the EU Declaration of Conformity is available on request.

## Technical consulting & service

If you have any questions about the product, you can find technical support on our homepage:

<https://www.wachendorff-prozesstechnik.de/tbs/>

- For technical support after a purchase (commissioning, project planning, parameterization, configuration, programming, etc.), please dial: +49 6722 9965-966 or send an e-mail to: [support@wachendorff.de](mailto:support@wachendorff.de)
- For application advice before a possible purchase (product selection, suitability, recommendation), please call: +49 6722 9965-544 or send an e-mail to: [beratung@wachendorff.de](mailto:beratung@wachendorff.de)

In the event of a repair or device failure, please contact our technical advice & service team first. More than 75% of all cases are resolved over the phone, saving you any costs or the dispatch of your product. You will also receive information on the return procedure.

For the return process, please go to our homepage at <https://www.wachendorffprozesstechnik.de/garantie-und-reparatur>, open the “Request return number” form and follow the instructions. After we have checked your form, we will send you a document with a return authorisation number (RSN) by e-mail. Please enclose this document with your return.

Note:

The return authorisation number (RSN) is generated specifically for your return. It regulates the conditions and

ensures direct allocation and faster processing of your return. It is therefore extremely important that the RSN is enclosed with your return.

**Contact:**

**Support:** Phone +49 (0) 67 22 / 99 65 -966, e-mail to [support@wachendorff.de](mailto:support@wachendorff.de)

**Application advice:** Tel. +49 (0) 67 22 / 99 65 -544, e-mail to [beratung@wachendorff.de](mailto:beratung@wachendorff.de)

Visit us on the Internet: [www.wachendorff-prozesstechnik.de](http://www.wachendorff-prozesstechnik.de)



**Wachendorff Prozesstechnik GmbH & Co. KG**

Industriestrasse 7 – D-65366 Geisenheim

**Phone:** +49 (0) 67 22 / 99 65 – 20

**Fax:** +49 (0) 67 22 / 99 65 – 78

**E-mail:** [wp@wachendorff.de](mailto:wp@wachendorff.de)

[www.wachendorff-prozesstechnik.de](http://www.wachendorff-prozesstechnik.de)

**Documents / Resources**

	<p><a href="#">WACHENDORFF WPC002 Web Panel Series 1</a> [pdf] Installation Guide WPC002 Web Panel Series 1, WPC002, Web Panel Series 1, Panel Series 1, Series 1</p>
---	---

**References**

- [Wachendorff Prozesstechnik GmbH & Co. KG : Industrie-Elektronik](#)
- [User Manual](#)

**Manuals+ Privacy Policy**

This website is an independent publication and is neither affiliated with nor endorsed by any of the trademark owners. The "Bluetooth®" word mark and logos are registered trademarks owned by Bluetooth SIG, Inc. The "Wi-Fi®" word mark and logos are registered trademarks owned by the Wi-Fi Alliance. Any use of these marks on this website does not imply any affiliation with or endorsement.