



Vitamix Explorian E320 Blender Performance High Owner's Manual

[Home](#) » [Vitamix](#) » Vitamix Explorian E320 Blender Performance High Owner's Manual 

Contents

- [1 Vitamix Explorian E320 Blender Performance High](#)
- [2 Symbols](#)
- [3 Specification](#)
- [4 Important Safeguards](#)
- [5 parts and features](#)
- [6 important! Know your vitamix containEr, lid, and tamper](#)
- [7 Other Vitamix containers and tampers](#)
- [8 CONTROLS](#)
- [9 Blending](#)
- [10 Care and Cleaning](#)
- [11 WARRANTY AND SERVICE](#)
- [12 Documents / Resources](#)
 - [12.1 References](#)



Vitamix Explorian E320 Blender Performance High



Symbols

	Warning and Caution
	NEVER touch moving parts. Keep hands and utensils out of the container.
	Electric Shock Hazard
	High temperatures exist when blending hot liquids.
	Unplug while not in use, before cleaning, changing accessories, or touching parts that move.
	ALWAYS operate with the lid and lid plug in place.
	Read and understand the owner's manual.
	DO NOT immerse.
	Parts will become hot with extended use. NEVER touch the drive socket in the appliance base or the drive spline in the blade base.
	NEVER use the 0.6 L (20 ounce) cup to heat ingredients or to blend hot liquids. NEVER use the cups (including the blade base or lids) in the microwave.
	On / Off
	Pulse

©2023 Vita-Mix Corporation. No part of this publication may be reproduced or transmitted in any form or by any means, or stored in a database or retrieval system, without the written permission of Vita-Mix Corporation.

Specification

- **Voltage:** 220 – 240 V
- **Frequency:** 50 – 60 Hz
- **Current:** 1000 – 1200 Watts
- **Height:** with 2,0 L / 64 oz. container on base: 45,7 cm / 18.0 inches
- **Depth:** 27,9 cm / 11.0 inches

- **Width:** 20,3 cm / 8.0 inches

Important Safeguards

WARNING

- Carefully read all instructions before operating the appliance for the first time. Save these instructions for future reference.
 - ALWAYS use grounded outlets.
 - NEVER remove the ground.
 - NEVER use an adapter.
 - NEVER use an extension cord.
 - NEVER plug the appliance into a timer or an outlet controlled by a switch.
 - ALWAYS turn off AND unplug the appliance when not in use and before assembling, disassembling, moving, cleaning, and storing.
 - NEVER immerse the power cord, power plug, or motor body in water or any other liquid.
 - If the appliance becomes submerged, unplug immediately.
 - Failure to follow instructions can cause death or electrical shock.
1. THE FAILURE TO FOLLOW ANY OF THE IMPORTANT SAFEGUARDS AND IMPORTANT INSTRUCTIONS FOR SAFE USE IS A MISUSE OF YOUR VITAMIX APPLIANCE THAT CAN VOID YOUR WARRANTY AND CREATE THE RISK OF SERIOUS INJURY.
 2. The instructions appearing in this manual cannot cover every possible condition and situation that may occur. Common sense and caution must be practiced when operating and maintaining any appliance.
 3. This appliance is not intended for use by persons (including children) with reduced physical, sensory or mental capabilities, or lack of experience or knowledge, unless they have been given supervision or instruction concerning use of the appliance by a person responsible for their safety and if they understand the hazards involved.
 4. NEVER let children use or play with the appliance. Keep the cord out of reach from children.
 5. Remove and discard packaging materials, the power plug cover, and promotional labels before using the appliance for the first time.
 6. NEVER unplug the appliance by pulling on the cord. To unplug the appliance, grasp the power plug and pull from the outlet.
 7. NEVER come in contact with moving parts, especially the blades.
 8. NEVER operate the appliance with loose, nicked, or damaged blades; replace immediately. Check the blades daily.
 9. NEVER tighten the hex-headed screw (on the top of the blade assembly). If loose, replace the blade assembly immediately.
 10. NEVER place the appliance on or near a hot gas or electric burner, or where it could touch any other source of heat.
 11. This appliance has a polarized plug (one blade is wider than the other). To reduce the risk of electric shock, this plug will fit in a polarized outlet only one way. If the plug does not fit fully in the outlet, reverse the plug. If it still does not fit, contact a qualified electrician. NEVER modify the plug in any way.
 12. NEVER allow the power cord to hang over the edge of a table or counter, touch hot surfaces, or become

knotted.

13. ALWAYS ensure the appliance is completely and properly assembled before operation including the unwinding of the power cord fully before use.
14. The blending blade assembly is very sharp. Handle carefully and keep out of reach of children.
15. NEVER use attachments other than those provided with the appliance or offered separately from Vi-tamix. The use of attachments not sold or recom-mended by Vitamix may cause fire, electric shock, or injury and will void the warranty.
16. Alteration or modification of any part of the appliance, including the use of any part or parts that are not genuine authorized Vitamix parts, may cause fire, electric shock, or injury and will void your warranty.
17. ALWAYS ensure the appliance is unplugged from the power outlet before attempting to assemble any of the attachments.
18. NEVER fill the container to the maximum capacity.
19. If using the appliance to blend hot food, keep hands and other exposed skin away from the lid opening and use the lowest speed setting to avoid burns from escaping steam or splashes.
20. Extreme caution must be used when moving an appliance or container filled with hot oil or other hot liquids.
21. NEVER touch surfaces that may be hot.
22. If during use, the sound of the appliance changes or if a hard or foreign object comes into contact with the blades, NEVER serve the food being made with the appliance.
23. NEVER remove ingredients from the appliance during operation. Ensure the motor has completely stopped and the appliance is unplugged before removing any ingredients.
24. If food becomes lodged around the blending blade, unplug the power cord, and use a spatula to dis-lodge the food. NEVER use fingers as the blending blade is sharp.
25. Keep hands, hair, clothing, and utensils away from all moving parts during operation to reduce the risk of severe injury to persons and/or damage to the appliance. A spatula may be used, but only when the appliance is not running.
26. If the blend is not processing when blending dry, thick, or heavy mixtures, stop operation and stir the ingredients before continuing. Allow the motor to cool for 1 minute before turning the appliance back on.
27. Strictly follow the care and cleaning instructions provided in this manual.
28. NEVER allow the blending blade to soak in water for long periods of time.
29. NEVER use the appliance for anything other than its intended use.
30. NEVER use outdoors or on moving vehicles or boats.
31. NEVER leave the working area when the appliance is in use.
32. NEVER leave any foreign object, such as spoons, forks, or knives, in the container as this will damage the blades and other components when starting the appliance and may cause injury.
33. NEVER expose the container to temperatures or ingredients over 2100F (990C).
34. ALWAYS operate the blender with the lid and lid plug firmly in place. NEVER remove the 2-part lid while the blades are rotating. Only remove the lid plug to add ingredients and to use the tamper.
35. NEVER operate the appliance without the centering pad installed properly underneath the container.
36. NEVER place the personal cup adapter onto the blade base without the cup attached.
37. NEVER place a blade assembly on the motor base unless assembled to the Vitamix container to reduce the risk of injury.
38. ALWAYS use the seal on the blade base and tighten the cup adequately to the blade base before blend-ing.
39. Ensure the container or cup and personal cup adapt-er are flush with the centering pad to ensure the drive

spline is engaged with the drive socket before operating.

40. NEVER use the 20 ounce cup to heat ingredients or to blend hot liquids. Heated ingredients and liquids may create internal pressure which could cause the cup to burst and cause injury.
41. NEVER continuously use your appliance for more than 75 seconds with the 20 ounce cup.
42. If a cup or container becomes warm to the touch or steams or vents, immediately stop blending ingredients and turn off or unplug the blender. Allow the cup and ingredients to cool to room temperature before removing the blade base.
43. When making nut butters or oil-based foods, do not process for more than one minute after the mixture starts to circulate in the container. Processing for longer periods can cause overheating.
44. Regularly inspect the power cord, power plug, and the appliance for any damage. NEVER operate if damaged in any way or after the appliance malfunctions. Immediately cease use of the appliance and visit vitamix.com or call VitaMix Technical Support at 1.800.886.5235 (International: 1.440.235.0214) for examination, repair, or adjustment.
45. Any repair, servicing, or replacement of parts must be performed by Vitamix or a Vitamix authorized service representative.
46. SAVE THESE INSTRUCTIONS.

parts and features

Legacy Vitamix Containers

- Legacy (C Series and G Series) containers will work with your Explorian blender base.
- A 20 ounce cup can be used when paired with the Vitamix Personal Cup Adapter.
- Vitamix Self-Detect Containers will not work with the Explorian Blender. Visit vitamix.com for details.

Lid, Lid Plug, and Tamper

- ALWAYS use the lid and the lid plug when operating the appliance.
- NEVER operate the appliance without checking to make sure the lid is securely locked in place.
- The lid plug is marked so it can be used as a measuring cup.
- Insert the lid plug through the lid plug opening. Lock the plug in place by turning clockwise. To remove, turn counter-clockwise and lift out.
- Remove the lid plug to use the tamper or to add ingredients.

Motor

- The motor is designed to protect itself from overheating.
- If the blender will not start immediately, check to ensure the appliance is plugged in and the On/Off Switch is ON.
- If the motor has overheated, allow the motor to cool for 20-45 minutes.

Tips to prevent 'overloading' your blender:

- Process only Vitamix recipes when learning to use the blender.

- NEVER process recipes at lower or higher speeds than recommended.
- NEVER process recipes for longer than recommended.
- Use your tamper to process thicker mixtures and keep ingredients moving around and through the blades.



THIS PRODUCT IS INTENDED FOR HOUSEHOLD USE ONLY AND IS NOT INTENDED TO BE USED FOR COMMERCIAL PURPOSES.

important! Know your vitamix containEr, lid, and tamper

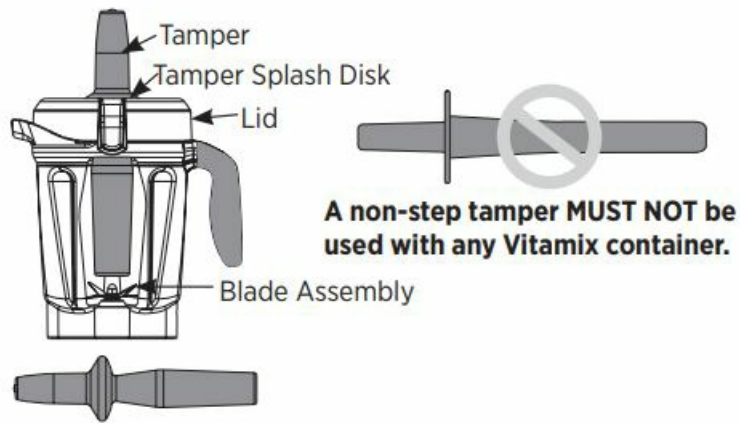
CAUTION

Rotating Blades Can Cause Damage. Lids and tampers are NOT interchangeable between different container styles, types, and sizes. Use the tamper that was supplied with your blender.

NOTE: Vitamix Self-Detect Containers will not work with the Explorian Blender. Lids and tampers are NOT interchangeable between different container styles, types, and sizes. Use the tamper and lid that was supplied with your blender.

How to Determine the Tamper to be Used with Your Container

Before using a tamper during blending, verify you have the correct tamper. Only use the tamper with the lid securely locked in place and the lid plug removed. If a tamper came with your blender at purchase, it is the correct tamper to use. If a tamper did not come with your blender or you want to determine if a tamper you already have can be used with your new container, please use these steps and illustrations to determine what tamper to use. The 64 oz. / 2 L Short (or Low Profile) Container uses a tamper which is approximately 11 inches long.



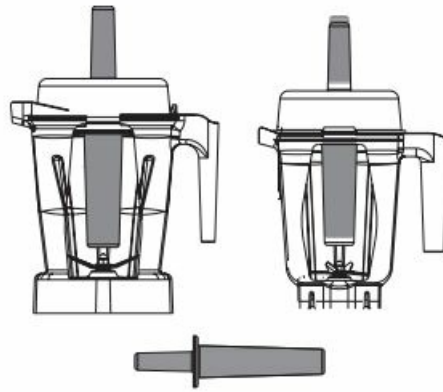
1. Place the lid on an empty container.
2. Remove the lid plug and insert the tamper through the lid plug opening. The tamper should fit easily into the opening. It should NOT come into contact with the blades no matter where you move the tamper inside the container.
3. Visually inspect: IF THE TAMPER TOUCHES THE BLADES AT ANY ANGLE, NEVER USE THE TAMPER WITH YOUR CONTAINER.
4. If you do not have the correct tamper for your container, contact Vitamix Household Customer Service at 1.800.848.2649 or 1.440.235.4840.

Other Vitamix containers and tampers

The 2.0 L (64 oz.) Tall container uses a tamper which is approximately 12-1/2 inches long.



The 1.4 L (48 oz.) and 0.9 L (32 oz.) containers use a tamper which is approximately 9-3/4 inches long.



CONTROLS

Pulse ()

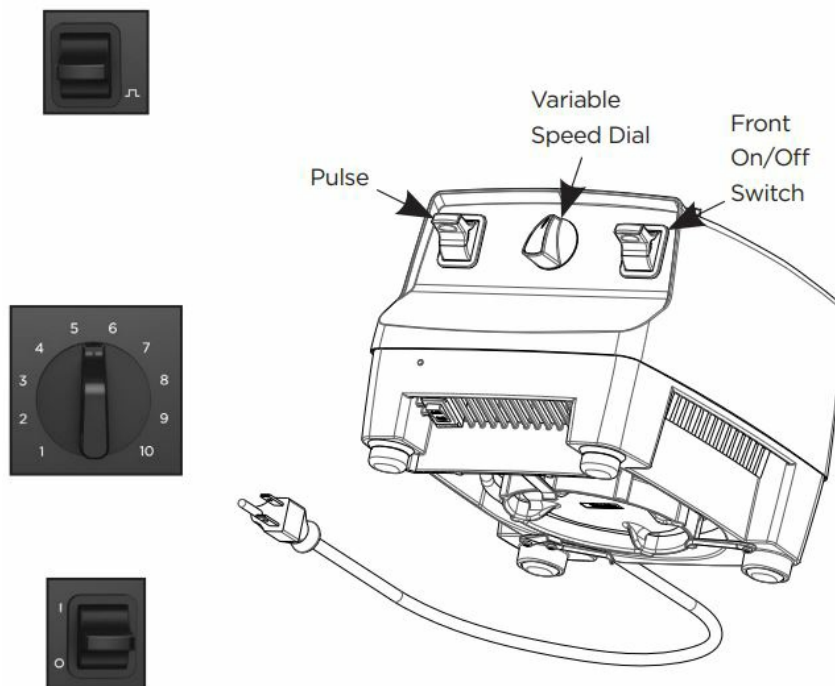
The blades will rotate at the speed displayed on the control panel when pressed.

Variable Speed Dial

The Variable Speed Dial gives you manual control from Variable 1 (slowest) to 10 (highest).

Front On/Off Switch

The On/Off Switch controls power to the machine.



Blending

NOTE: The 20 ounce cup mentioned here are optional accessories of the Explorian Blenders when used with a Vitamix Personal Cup Adapter. Please visit vitamix.com for more information. Refer to the Personal Cup Adapter Owner's Manual for usage details.

WARNING

- To avoid possible burns, NEVER start on speeds above Variable

- Speed 1 when processing hot liquids in a large container.
 - Escaping steam, splashes or contents may burn. ALWAYS start on
 - Variable Speed 1, then slowly increase to 10.
 - NEVER use your 20 ounce cup to heat ingredients or to blend hot liquids. Heated ingredients and liquids may create internal pressure which could cause the cup to burst and cause injury.
 - NEVER continuously use your appliance for more than 2 minutes with the 20 ounce cup and Personal Cup Adapter.
 - If a cup becomes warm to the touch or steams or vents, immediately stop blending ingredients and turn off or unplug blender. Allow the cup and ingredients to cool to room temperature before removing the blade base.
 - Parts will become hot with extended use.
 - NEVER touch the drive socket in the blender base or the drive spline in the Personal Cup Adapter.
 - To avoid damage or personal injury, NEVER use the cups (including the blade base or lids) in the microwave.
1. Load your container according to your recipe or the load order in the illustration here.
IMPORTANT! ALWAYS use the lid and the lid plug on the Large Container when the appliance is in operation. NEVER operate the blender without checking to make sure that the lid and lid plug are securely locked in place.
 2. Push the lid down into place until the two tabs snap onto the lip of the container. Insert the lid plug. Turn the lid plug clockwise to lock.
 3. Put the container onto the base.
 4. Look at the Variable Speed Dial. Make sure it is pointing to Variable Speed 1. Press the On/Off Switch to start the appliance. The blades will begin to turn.
 5. Rotate the Variable Speed Dial between 1 and 10 during the blending cycle to increase or decrease the speed of the blades.
 6. At the end of the blend, rotate the Variable Speed Dial counter-clockwise to Variable Speed 1. Press the On/Off Switch.
 7. If the mixture stops circulating, insert the tam-per through the lid plug and stir until it 'burps'. If this does not work, press the On/Off Switch to stop the motor. Remove the container from the blender base and use a rubber spatula to press the air bubble away from the blades. Add liquid if necessary. Replace the lid and lid plug. Return the container to the blender base and continue blending.
 8. After blending, wait until the blades completely stop before removing the lid or container from the blender base.

Tips to prevent 'overloading' your blender:

- Process only Vitamix recipes when learning to use the blender.
- NEVER process recipes at lower or higher speeds than recommended.
- NEVER process recipes for longer than recommended.
- Use your tamper to process thicker mixtures and keep ingredients moving around and through the blades.

How to Use the Tamper:

IMPORTANT! The splash disk (near the top of the tam-per) and lid prevent the tamper from hitting the blades when the lid is secured properly in the locked position.

- The container should not be more than two-thirds full when the tamper is used during blending.
- To avoid overheating during blending, NEVER use the tamper for more than 30 consecutive seconds.
- If the food does not circulate, the blender may have trapped an air bubble. Carefully remove the lid plug, while making sure the lid stays firmly in place. Release the air bubble by inserting the tamper through the lid plug opening.
- Holding the tamper straight down may not help the ingredients circulate. If necessary, point the tamper towards the sides or corners of the container. NEVER try to force the tamper deeper into the container.



Care and Cleaning

BEFORE FIRST USE

1. Wipe the base with a warm damp cloth and wipe clean with a dry, soft cloth. Wash the container, lid, lid plug, and tamper with warm, soapy water. Rinse all parts. Wipe dry with a dry, soft cloth.
2. Choose a space on the counter that is level, dry and clean. Plug the blender into a grounded, 3-prong outlet.

NOTE: Your Vitamix container is designed to be completely cleanable without removing the retainer nut and blade assembly. NEVER attempt to remove the retainer nut or blade assembly from the container. Our Normal Cleaning and Sanitizing procedures or a dishwasher cleaning cycle will ensure a complete and thorough cleaning of your container and its components. If your container is damaged, please do not use. Contact Vitamix Customer Service IMMEDIATELY for assistance.

Follow these instructions if you prefer not to wash your container in the dishwasher.

TO CLEAN THE CONTAINER WITH WATER

1. Fill the container half full with warm water and add a couple of drops of dishwashing liquid.
2. Snap or push the complete 2-part lid into the locked position.
3. Press the Start/Stop Switch. Slowly increase the variable speed to 10.
4. Run the appliance for 30 to 60 seconds.
5. Rotate the Variable Speed Dial back to Variable Speed 1. Press the Start/Stop Switch.
6. Rinse and drain all pieces.

TO SANITIZE THE CONTAINER WITH BLEACH:

1. Follow the cleaning instructions above.
2. Fill the container half full with water and 1-1/2 teaspoons of liquid bleach.

3. Snap or push the complete 2-part lid into the locked position.
4. Rotate the dial clockwise to Variable Speed 1.
5. Press the Start/Stop Switch. Slowly increase the variable speed to 10.
6. Run the appliance for 30 to 60 seconds.
7. Rotate the Variable Speed Dial back to Variable Speed 1. Press the Start/Stop Switch.
8. Allow the mixture to stand in the container for an additional 1-1/2 minutes.
9. Pour bleach mixture out. Allow container to air dry. Do not rinse after sanitizing.

LIDS, LID PLUG, CENTERING PAD, AND TAMPER

All parts listed above are dishwasher safe. If preferred, wash the parts in warm soapy water. Rinse clean under running water, then dry.

TO SANITIZE THE CONTAINER WITH VINEGAR:

1. Follow the cleaning instructions above.
2. Prepare the vinegar solution: For the 2.0 L (64 oz.) container, dilute 473 ml (16 oz.) of vinegar in 473 ml (16 oz.) water.
3. Snap or push the complete 2-part lid into the locked position.
4. Begin with Variable Speed 1 on the display. Press the Start/Stop Switch.
5. Slowly increase the variable speed to 10.
6. Run the appliance on Variable Speed 10 for 2 full minutes.
7. Rotate the Variable Speed Dial back to Variable Speed 1. Press the Start/Stop Switch.
8. Allow mixture to stand in the container for an additional 3 full minutes. Total contact time of the vinegar solution in the container should equal 5 minutes.
9. Pour the vinegar solution out of the container over the inside surface of the 2-part lid.
10. Repeat the sanitization procedure a second time (Steps 2-9).
11. Allow the container and lid to air dry. Do not rinse after sanitizing. If necessary, rinse immediately before next use.

WARNING

To Avoid Injury and Damage

- To avoid inadvertent activation, turn off and unplug the blender before cleaning.

Electrical Shock Hazard

- ALWAYS unplug before cleaning the blender base or when not in use. NEVER put the blender base in water or other liquid.
- Failure to follow instructions can cause death or electrical shock.

BLENDER BASE

1. Turn off and unplug the blender.
2. Wash the outside surface with a damp, soft cloth or sponge that has been rinsed in a mild solution of liquid dish

soap and warm water. Do not place the blender base in water. The centering pad can be removed for more thorough cleaning. The centering pad is dishwasher safe.

3. Immediately dry all surfaces and polish with a soft cloth.

WARRANTY AND SERVICE

7-Year Full Machine Warranty

- **IMPORTANT RESTRICTION: VITAMIX MAY RESTRICT WARRANTY SERVICE FOR OUR PRODUCTS TO THE COUNTRY WHERE VITAMIX OR ITS AUTHORISED DISTRIBUTORS ORIGINALLY SOLD THE PRODUCT.***
 - Vitamix does not recommend use of our products outside of the country where such products were sold and built to be used.
 - Our products are approved and certified to country-specific safety standards.
 - Each country may require a different voltage and frequency, power cable, and plug for the same product.
 - After-sales service may not be available outside of the country where Vitamix or any of its authorised distributors originally sold a product, as our authorised distributors and repair technicians stock repair parts that may be country-specific.

Product Warranty.

To verify warranty, contact the Authorised Vitamix Household Distributor/Service Provider in your country by visiting https://www.vitamix.com/vr/en_us/international-support.

Who Can Seek Warranty Coverage.

This Warranty is extended by Vitamix to the owner of this appliance for personal household use only. This Warranty does not apply to products used for commercial, rental, or re-sale purposes. Should the ownership of the Vitamix change during the warranty period, please provide the new owner with a copy of the original receipt to be able to verify start-date of the warranty.

What is Covered.

Vitamix warrants to the owner that if this appliance (an “appliance” consists of a motor base, any container(s), lids, and tamper(s) purchased together) fails within 7 years from the date of purchase due to a defect in material or workmanship or as a result of normal wear and tear from ordinary household use. The Authorised Vitamix Household Distributor/Service Provider will, within 30 days of receipt of the returned appliance, repair the failed appliance or component part of the appliance free of charge. If, in Vitamix’s sole discretion, the failed appliance or component part of the appliance cannot be repaired, the Authorised Vitamix Household Distributor/Service Provider will elect to replace the appliance free of charge with the same model or the next closest model if original model is no longer available to purchase. In this case, the warranty start-date remains the same as the purchase date of the original Vitamix.

What is Not Covered

- This Warranty does not apply to appliances used commercially or in non-household applications.
- This Warranty is only valid if the appliance is used and maintained in accordance with the instructions, warnings, and safeguards contained in the owner’s manual. This Warranty does not cover damage caused by accidents (ex: foreign object in container while blending, dropping of unit or container, etc.).
- This Warranty does not cover damage resulting from use of the appliance outside of the country where it was sold and built to be used, and Warranty service may be restricted to the country where Vitamix or its authorized

distributors originally sold the appliance.

- This Warranty does not cover cosmetic changes that do not affect performance, such as discoloration, scratches, or the effects of the use of abrasives or cleaners or food build up.

Containers: Processing certain herbs and spices in the container/cup will result in cosmetic marring of the container/cup and may cause the blades to wear prematurely. Traces of sand, coarse gritty and abrasive herbs will also cause the blades to wear prematurely. Herbs may contain volatile oils, cause the container/cup to retain the oils and cause permanent discoloration. Your container/cup and blades are not covered under the Vitamix warranty under these circumstances. Vitamix will not be responsible for the cost of any unauthorised warranty repairs. Your Vitamix may only be serviced or repaired by an Authorized Vitamix Household Distributor/Service Provider.

REPAIR, REPLACEMENT OR REFUND OF THE PURCHASE PRICE ARE THE EXCLUSIVE REMEDIES OF PURCHASER AND THE SOLE LIABILITY OF VITAMIX AND ITS AUTHORISED DISTRIBUTORS UNDER THIS WARRANTY. NO EMPLOYEE OR REPRESENTATIVE OF VITAMIX OR ANY OF ITS AUTHORISED DISTRIBUTORS IS AUTHORISED TO MAKE ANY ADDITIONAL WARRANTY OR ANY MODIFICATION TO THIS WARRANTY WHICH MAY BE BINDING UPON VITAMIX. ACCORDINGLY, PURCHASER SHOULD NOT RELY UPON ANY ADDITIONAL STATEMENTS MADE BY ANY EMPLOYEE OR REPRESENTATIVE OF VITAMIX OR ANY OF ITS AUTHORISED DISTRIBUTORS. IN NO EVENT, WHETHER BASED ON CONTRACT, INDEMNITY, WARRANTY, TORT (INCLUDING NEGLIGENCE), STRICT LIABILITY OR OTHERWISE, SHALL VITAMIX BE LIABLE FOR ANY SPECIAL, INDIRECT, INCIDENTAL OR CONSEQUENTIAL DAMAGES, INCLUDING, WITHOUT LIMITATION, LOSS OF PROFIT OR REVENUE.

NOTE: If your Vitamix needs to be serviced but does not fall within the Warranty guidelines, it may still be repaired at your cost (for repair and shipping). Contact the Authorized Vitamix Household Distributor/Service Provider in your country by visiting https://www.vitamix.com/vr/en_us/international-support. For Vitamix Household Support or Sales call 800.848.2649 or +1.440.235.4840 (International) or email service@vitamix.com.

What Voids this Warranty

- Abuse, misuse, negligent use, alteration of the appliance, exposure to abnormal or extreme conditions, or failure to follow the operating instructions in this manual will void this Warranty.
- The Warranty is also void if repairs to the appliance or any component part of the appliance are performed by someone other than either Vitamix or an authorised Vitamix Service Provider or if any component part of a appliance subject to this Warranty is used in combination with a motor base or container that is not expressly authorised by Vitamix.
- The warranty is void when the appliance is used with a transformer or adapter to convert the voltage.

How to Obtain Warranty Service.

Contact the Authorized Vitamix Household Distributor/Service Provider in your country for assistance servicing your Vitamix. For a list of Vitamix Distributors, visit https://www.vitamix.com/vr/en_us/international-support.

Documents / Resources



[Vitamix Explorian E320 Blender Performance High](#) [pdf] Owner's Manual
Explorian E320 Blender Performance High, Explorian E320, Blender Performance High, Performance High

References

- [High Performance Blenders - Blending Machines | Vitamix](#)
- [Patents - Blades, Blenders, Containers, Mixers, and More | Vitamix](#)
- [International Support | Vitamix](#)
- [High Performance Blenders - Blending Machines | Vitamix](#)
- [International Support | Vitamix](#)
- [International Support | Vitamix](#)