

[Skip to content](#)


**Manuals+**

User Manuals Simplified.



## VINNOVA 260065-BAT-WH Zamora 64.8 Inch x 29.5 Inch Soaking Bathtub Instructions

August 3, 2022 August 4, 2022 [Leave a comment on VINNOVA 260065-BAT-WH Zamora 64.8 Inch x 29.5 Inch Soaking Bathtub Instructions](#)

[Home](#) » [VINNOVA](#) » VINNOVA 260065-BAT-WH Zamora 64.8 Inch x 29.5 Inch Soaking Bathtub Instructions 



Vinnova Inc.

Zamora 64.8" x 29.5"  
Freestanding Bathtub

Contents [hide](#)

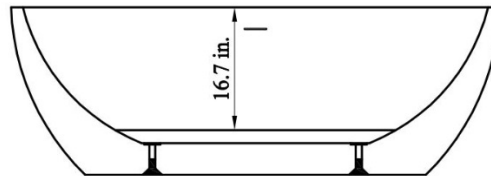
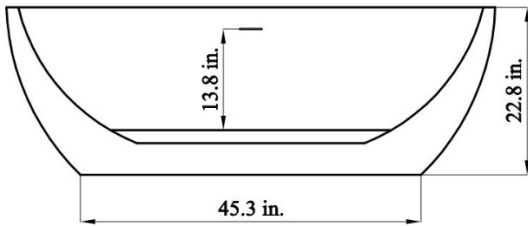
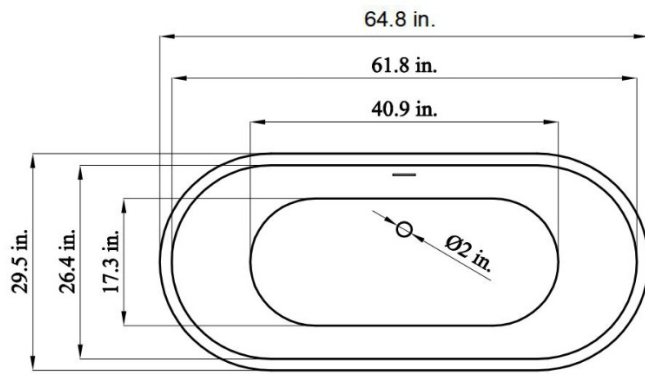
[1 INSTALLATIONS SPECIFICATION](#)

[2 Documents / Resources](#)

[2.1 Related Manuals / Resources](#)

### INSTALLATIONS SPECIFICATION

SKU	260065-BAT-WH
Overall Dimensions	64.8"x29.5"x22.8"H
Inner Dimensions	40.9"x17.3"x16.7"H
Water Capacity	
With overflow	197 gallons
Water Depth	
To top of the tub	16.7 inch
To overflow	13.8 inch
Seating Capacity	1 person
Tub Weight	83.8 lbs
Overflow Height	3 inch
Faucet Configurations	No Faucet Drilling
With pop-up drain	With siphon
Bathtub Certifications	CUPS



**VINNOVA**  
Sveriges innovationsmyndighet

[www.vinnovadesign.com](http://www.vinnovadesign.com)

#### Documents / Resources



[VINNOVA 260065-BAT-WH Zamora 64.8 Inch x 29.5 Inch Soaking Bathtub](#) [pdf] Instructions  
260065-BAT-WH, Zamora 64.8 Inch x 29.5 Inch Soaking Bathtub, Soaking Bathtub, Bathtub, 260065-BAT-WH, Freestanding Bathtub

#### Related Manuals / Resources



#### [Aoibox SNMX1068 Freestanding Flatbottom Soaking Bathtub White User Manual](#)

Aoibox SNMX1068 Freestanding Flatbottom Soaking Bathtub White User Manual CARE AND MAINTENANCE MANUAL Clean every day by thoroughly...



#### [LEGENDS FURNITURE FH5410.AWY 64 Inch Fireplace Console Instructions](#)

Use and Care Instructions General Cleaning & Care: Do... Use a lint-free cloth to polish wood furniture on...



#### [CLOVIS YG00WH67 67 Inch Acrylic Flatbottom Freestanding Soaking Bathtub Installation Guide](#)

INSTALLATION MANUAL NOTE The uneven surface --- To finish polishing a bathtub, we usually apply wax to make...



#### [Streamline N-620-63FSWH-FM Freestanding Soaking Acrylic Bathtub User Guide](#)

Acrylic & Resin Bathtub Series USE & CARE GUIDE In order to clean the bathtub, please only use...

#### Leave a comment

Your email address will not be published. Required fields are marked \*

Comment \*

Name

Email

Website

Save my name, email, and website in this browser for the next time I comment.

[Manuals+](#)

- [home](#)
- [privacy](#)