



V I V O STAND-V011H Extra Tall Single LCD Computer Monitor Free-Standing Adjustable Desk Stand Instruction Manual

[Home](#) » [V I V O](#) » V I V O STAND-V011H Extra Tall Single LCD Computer Monitor Free-Standing Adjustable Desk Stand Instruction Manual 

Contents

- [1 V I V O STAND-V011H Extra Tall Single LCD Computer Monitor Free-Standing Adjustable Desk Stand](#)
- [2 Product Information](#)
- [3 PACKAGE CONTENTS](#)
- [4 TOOLS NEEDED](#)
- [5 ASSEMBLY STEPS](#)
- [6 Adjust as Desired](#)
- [7 Documents / Resources](#)
 - [7.1 References](#)
- [8 Related Posts](#)



V I V O STAND-V011H Extra Tall Single LCD Computer Monitor Free-Standing Adjustable Desk Stand



Product Information

Specifications

- **SKU:** STAND-V011H
- **Weight Capacity:** 17.6lbs (8kg)

Package Contents

- **A** (x1) VESA Plate
- **B** (x1) Bracket
- **C** (x1) Base
- **D** (x1) Lower Pole
- **E** (x1) Middle Pole
- **F** (x1) Upper Pole
- **G** (x3) Cable Clip
- **S-A** (x1) Thumbscrew
- **S-B** (x3) M6x12mm Screw
- **M-A** (x4) M4x12mm Screw
- **M-B** (x4) M4x16mm Screw
- **M-C** (x4) M5x12mm Screw
- **M-D** (x4) M5x16mm Screw
- **M-E** (x4) M5 Washer
- **M-F** (x4) Spacer
- **T-A** (x1) 4mm Allen Wrench
- **T-B** (x1) 6mm Allen Wrench

Tools Needed

- Phillips Screwdriver

Assembly Steps:

Step 1:

- Secure Lower Pole (D) to Base (C) using M6x12mm Screws (S-B) and 4mm Allen Wrench (T-A). Slide one Cable Clip (G) onto the Lower Pole (D).

Step 2:

- Thread and secure the Middle Pole (E) onto the Lower Pole (D) and slide one Cable Clip (G) on. Thread the Upper Pole (F) onto the Middle Pole (E) and place the remaining Cable Clip (G) onto the pole.

Step 3:

- Slide Bracket (B) onto pole assembly and tighten in the desired location with a 6mm Allen Wrench (T-B).

Step 4:

- Install VESA Plate (A) onto monitor using appropriate Screws (M-A thru M-D), M5 Washer (M-E), and a Phillips screwdriver. If needed, Spacers (M-F) can be used.

Step 5:

- Place monitor with VESA plate onto Bracket (B). Secure with Thumbscrew (S-A).

Step 6:

- To adjust the tilt of the monitor, loosen the side screw on Bracket (B) using a 6mm Allen Wrench (T-B).

Step 7:

- Use Cable Clips (G) to route and manage cables.

Step 8:

- Allen Wrenches (T-A, T-B) can be stored in a lower Cable Clip (G).

FAQ:

Q: What is the weight capacity of the Single Monitor Extra Tall Desk Stand?

- **A:** The weight capacity of the stand is 17.6 lbs (8kg).

Q: Can I adjust the tilt of the monitor?

- **A:** Yes, you can adjust the tilt of the monitor by loosening the side screw on the Bracket (B) using the provided 6mm Allen Wrench (T-B).

Q: How do I route and manage cables?

- **A:** You can use the Cable Clips (G) provided to route and manage cables.

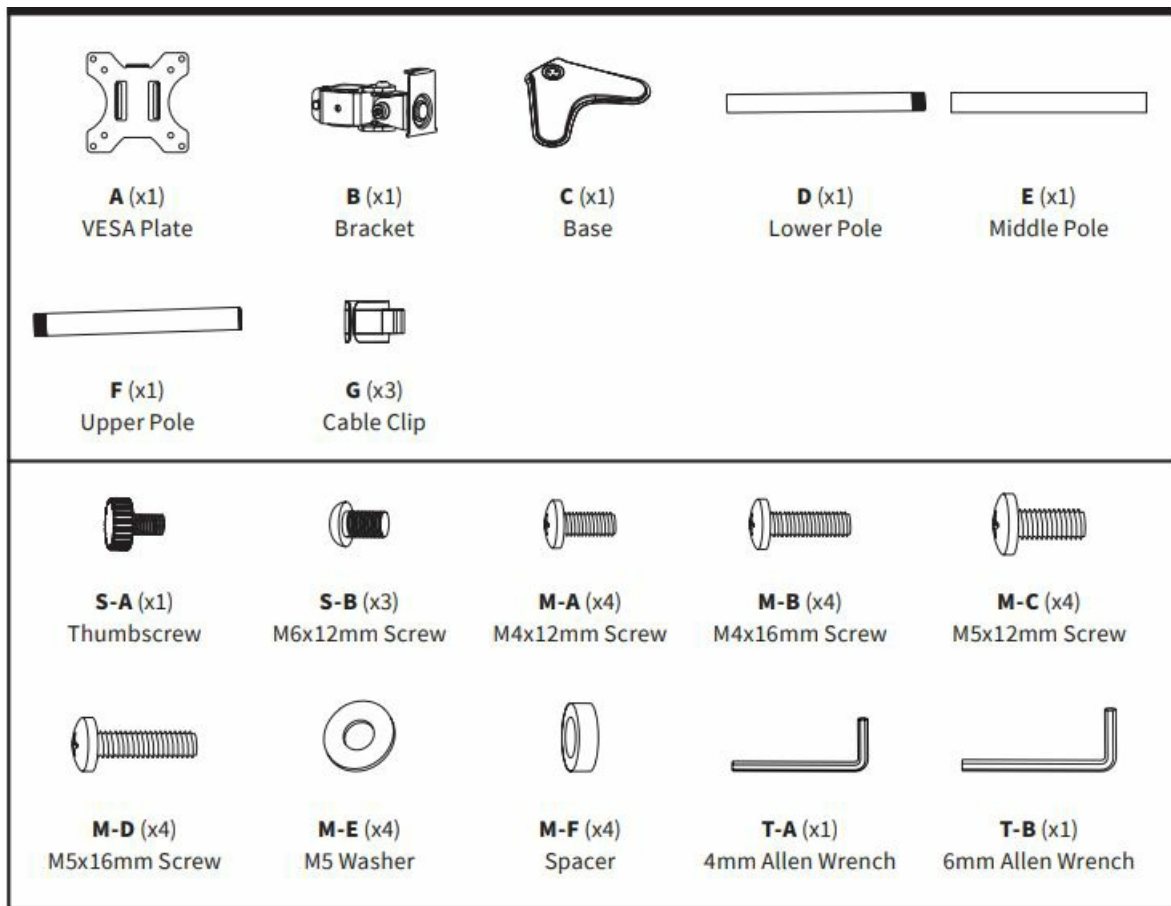
WARNING!

- If you do not understand these directions, or if you have any doubts about the safety of the installation, please call a qualified technician. Check carefully to make sure there are no missing or defective parts.
- Improper installation may cause damage or serious injury. Do not use this product for any purpose that is not explicitly specified in this manual. Do not exceed weight capacity.
- We cannot be liable for damage or injury caused by improper mounting, incorrect assembly or inappropriate use.

TIP OVER WARNING

- SERIOUS OR FATAL CRUSHING INJURIES CAN OCCUR FROM TIPOVER. TO HELP PREVENT TIPOVER:
- NEVER ALLOW CHILDREN TO CLIMB, STAND, HANG, OR PLAY ON ANY PART OF MONITOR OR STAND.
- USE TIPOVER RESTRAINT OR ANCHOR STAND TO WALL
- THE USE OF TIPOVER RESTRAINTS MAY ONLY REDUCE, BUT NOT ELIMINATE RISK OF TIPOVER.
- **WARNING:** CHOKING HAZARD
- **SMALL PARTS** – NOT FOR CHILDREN UNDER 3 YEARS. ADULT SUPERVISION IS REQUIRED.

PACKAGE CONTENTS

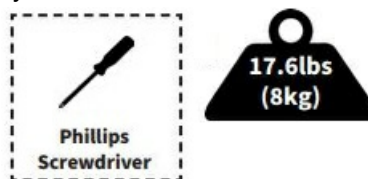


NOTE: SOME HARDWARE INCLUDED MAY NOT BE USED

TOOLS NEEDED

DO NOT EXCEED WEIGHT CAPACITY.

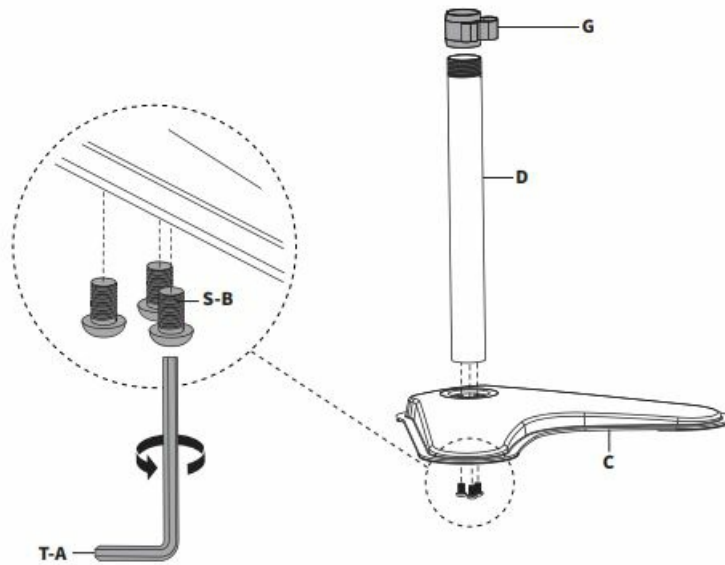
Failure to do so may result in serious injury.



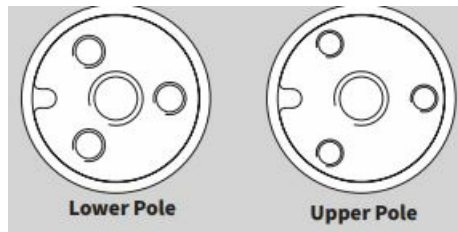
ASSEMBLY STEPS

STEP 1

- Secure Lower Pole (D) to Base (C) using M6x12mm Screws (S-B) and 4mm Allen Wrench (T-A). Slide one Cable Clip (G) onto the Lower Pole (D).

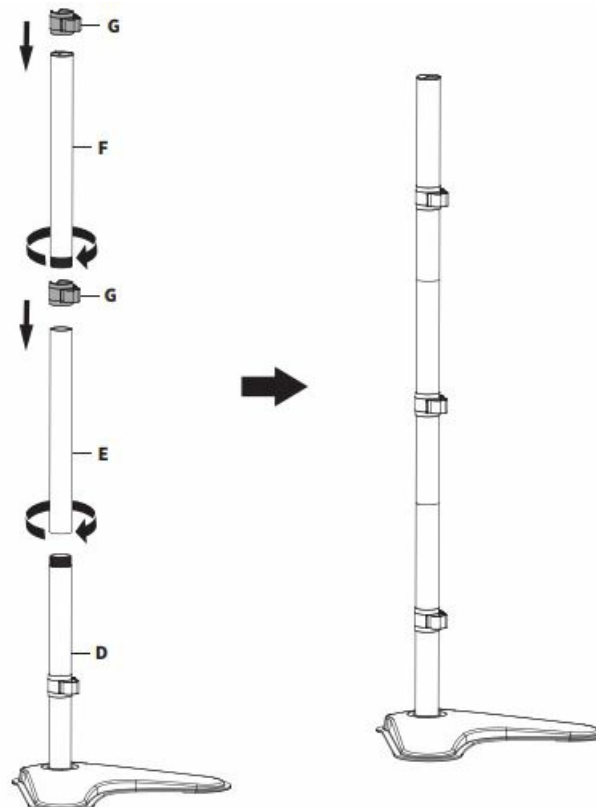


- Lower Pole (D) and upper Pole (F) may look similar. To differentiate, match the hole pattern to the images below. The holes on the Lower Pole (D) are spaced closer together than the Upper Pole (F).



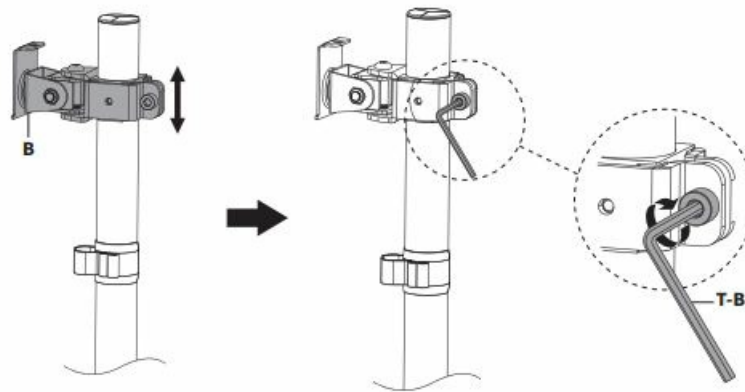
STEP 2

- Thread and secure the Middle Pole (E) onto the Lower Pole (D) and slide one Cable Clip (G) on. Thread the Upper Pole (F) onto the Middle Pole (E) and place the remaining Cable Clip (G) onto the pole.



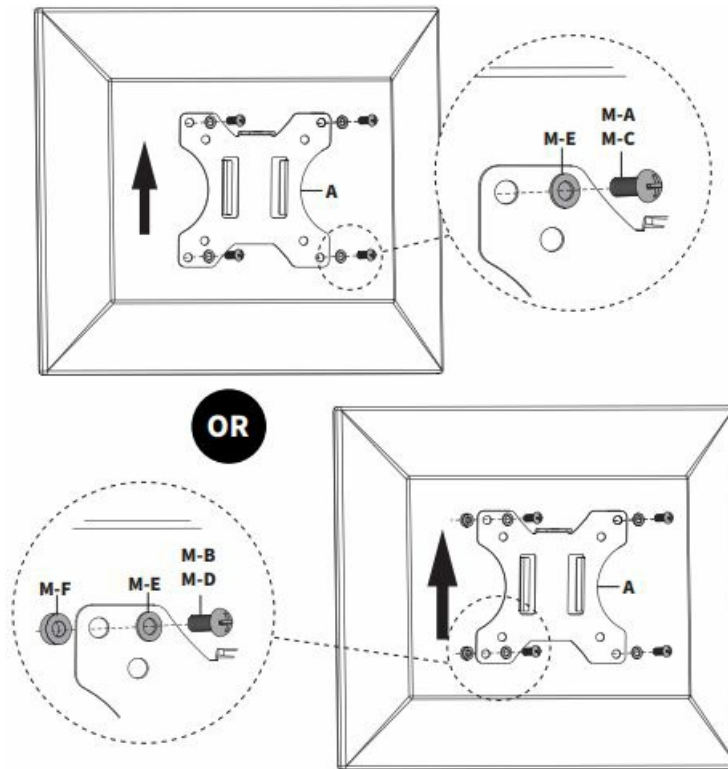
STEP 3

- Slide Bracket (B) onto pole assembly and tighten in the desired location with a 6mm Allen Wrench (T-B).



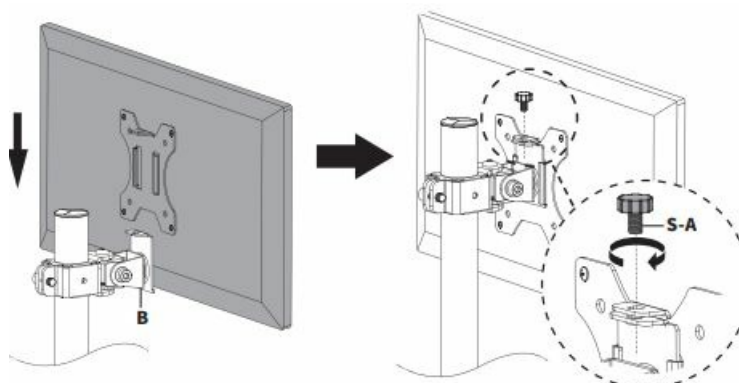
STEP 4

- Install VESA Plate (A) onto monitor using appropriate Screws (M-A thru M-D), M5 Washer (M-E), and a Phillips screwdriver. If needed, Spacers (M-F) can be used.



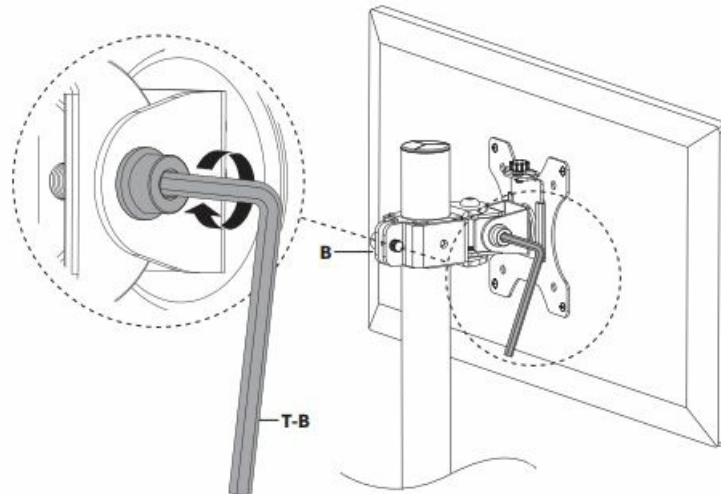
STEP 5

- Place monitor with VESA plate onto Bracket (B). Secure with Thumbscrew (S-A).



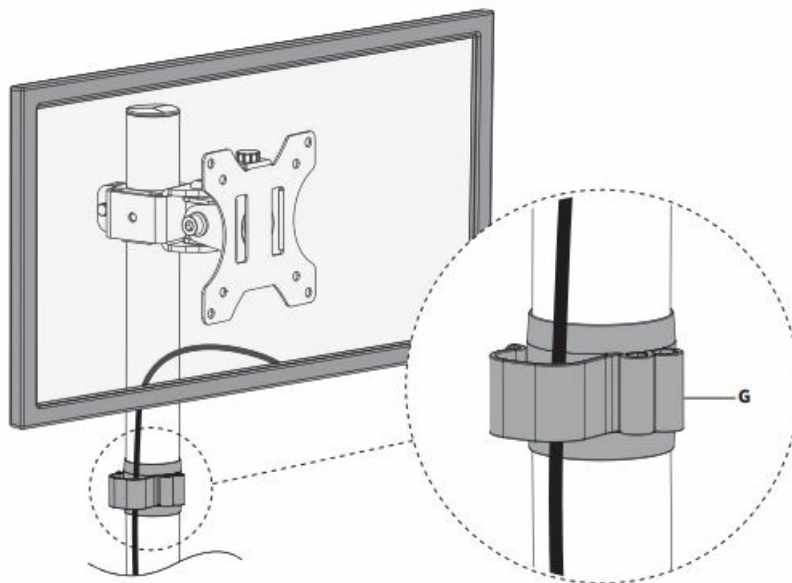
STEP 6

- To adjust the tilt of the monitor, loosen the side screw on Bracket (B) using a 6mm Allen Wrench (T-B).



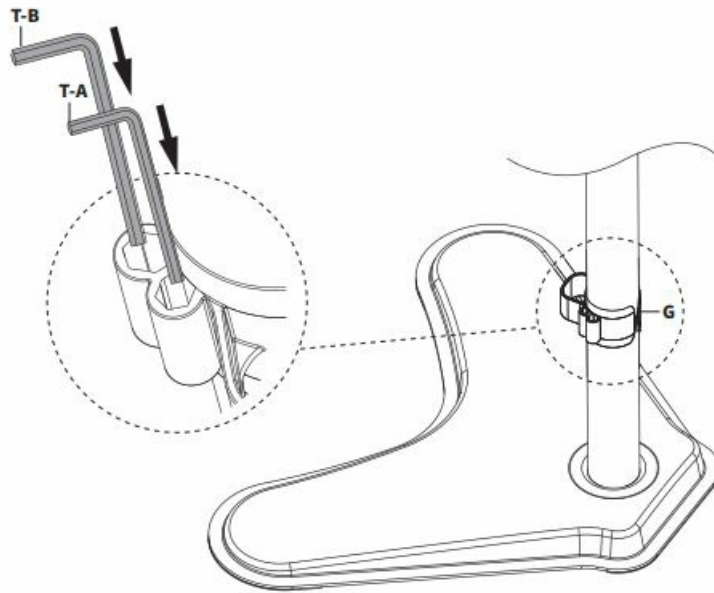
STEP 7

- Use Cable Clips (G) to route and manage cables.

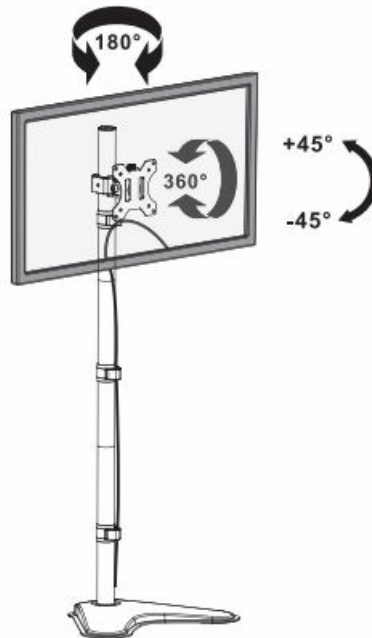


STEP 8

- Allen Wrenches (T-A, T-B) can be stored in a lower Cable Clip (G).



Adjust as Desired



- Love your new VIVO setup and want to share? Tag us in your photo! @vivo_us
- Open Monday – Friday 7:00 am – 7:00 pm CST, our dedicated support team can offer immediate assistance with rapid response times.
- If any parts are received damaged or defective, please contact us.
- We are happy to replace parts to ensure you have a fully functioning product.
- www.vivo-us.com



• Chat live with an agent!

• AVG. RESOLUTION TIME (within office hours): < 15 M



• 309-278-5303

• AVG. RESOLUTION TIME (within office hrs): 5M 4S



• help@vivo-us.com

• AVG. RESPONSE TIME (within office hrs): 1HR 8M

- 23% within < 15m
- 38% within < 30m
- 61% within < 1hr
- 83% within < 2hr
- 92% within < 3hr
- FOR MORE VIVO PRODUCTS, CHECK OUT OUR WEBSITE AT: www.vivo-us.com
- **SKU:** STAND-V011H
- Scan the QR code with your mobile device or follow the link for helpful videos and specifications related to this product. <https://vivo-us.com/products/stand-v011h>
- **GET IN TOUCH** Monday-Friday from 7:00am-7:00 pm CST



Documents / Resources

	<p>V I V O STAND-V011H Extra Tall Single LCD Computer Monitor Free-Standing Adjustable Desk Stand [pdf] Instruction Manual</p> <p>STAND-V011H Extra Tall Single LCD Computer Monitor Free-Standing Adjustable Desk Stand, STAND-V011H, Extra Tall Single LCD Computer Monitor Free-Standing Adjustable Desk Stand, Computer Monitor Free-Standing Adjustable Desk Stand, Free-Standing Adjustable Desk Stand , Standing Adjustable Desk Stand, Adjustable Desk Stand, Desk Stand, Stand</p>
--	---

References

- [Register a .US.COM domain today!](#)
- [VIVO - Desks, Monitor Mounting, and More Home & Office Solutions – VIVO - desk solutions, screen mounting, and more](#)
- [Single Monitor Extra Tall Desk Stand – VIVO - desk solutions, screen mounting, and more](#)
- [User Manual](#)