



Uplink Interlogix Simon XT Wiring Cellular Communicators and Programming the Panel Instructions

[Home](#) » [Uplink](#) » Uplink Interlogix Simon XT Wiring Cellular Communicators and Programming the Panel Instructions 

Contents

- [1 Uplink Interlogix Simon XT Wiring Cellular Communicators and Programming the Panel](#)
- [2 Wiring the 5530m communicators to Interlogix Simon XT](#)
- [3 Programming the Interlogix Simon XT Alarm Panel via the Keypad](#)
- [4 Product Information](#)
- [5 Product Usage Instructions](#)
- [6 FAQ](#)
- [7 Documents / Resources](#)
 - [7.1 References](#)



Uplink Interlogix Simon XT Wiring Cellular Communicators and Programming the Panel



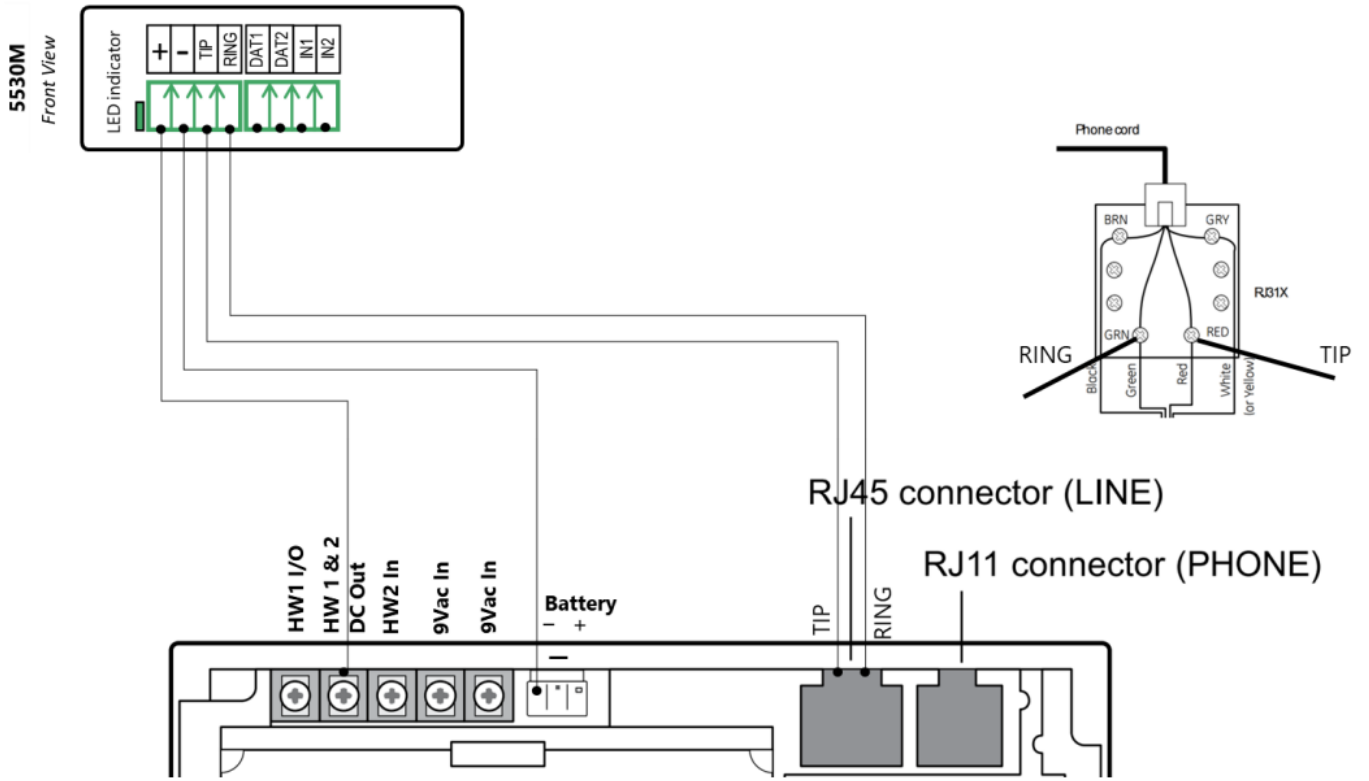
CAUTION:

- It is advised that an experienced alarm installer programs the panel as further programming may be required to ensure proper performance and use of the full functionality.
- Do not route any wiring over the circuit board.
- Full panel testing, and signal confirmation, must be completed by the installer.

NEW FEATURE: For 5530M Communicators, the status of the panel can be retrieved not only from the status PGM but now also from the Open/Close reports from the dialler. Therefore, wiring the white wire and programming of the status PGM of the panel is optional.

IMPORTANT NOTE: The Open/Close reporting needs to be enabled during the initial pairing procedure.

Wiring the 5530m communicators to Interlogix Simon XT



Programming the Interlogix Simon XT Alarm Panel via the Keypad

Enable Contact ID reporting:

Keypad Display	Keypad Entry	Action Description
Day, hour	▽▽▽	Press "Down" 3 times to go to "System Programming".
System Programming	OK	Press OK to "Enter Code".
Enter Code	4321, OK	4321 is the default installer code, "OK" to confirm.
Access Codes	▽▽ OK	Press "Down" 2 times to go to "Phone #s", press OK to enter.
Phone #1	OK, 123456, OK	"OK" to enter "Phone #1", 123456 (fictitious or actual number), OK to save.
Phone #1	Status	Press "Status" to go back, press "Down" to go to "Phone Options".
Phone Options	OK,	Press "OK" to enter, Press "Down" 2 times to go to "DTMF Dial".
DTMF Dial	OK, OK	Press "OK" to enter, press "Down" to select "ON", press "OK" to save.
DTMF Dial	Status,▽▽	Press "Status" to go back, press "Down" 2 times to go to "Reporting".
Reporting	OK, OK, OK	Press "OK" to go to "Opening Reports", "OK" to select, "OK" to edit.
Opening Rpts.	▽ OK, ▽	Press "Down" until "ON" is selected, "OK" to save.
Opening Rpts.	▽ OK	Press "Down" to go to "Closing Reports", press "OK" to edit.
Closing Rpts.	▽ OK	Press "Down" until "ON" is selected, press "OK" to save.
Closing Rpts.	Status,▽ , OK	Press "Status" to go back, "Down" to "Rpt. Comm. Modes", "OK" to enter.
Ph.1 Rpt Mode	△△△ OK	Press 2 times "UP" to go to All CID, press "OK" to save.
Ph.1 Rpt Mode	Status, Status	Press "Status" 2 times to go back to main menu.
Reporting	△△△△△,OK	Press "UP" 4 times to go to "Security", press "OK" to enter.
Account Nmbr.	OK, 1234, OK	Press "OK" to enter, 1234 (enter your account number) "OK" to save.
Account Nmbr.	Status	Press "Status" 3 times until you exit the programming mode.

Product Information

Specifications

- **Product:** Interlogix Simon XT
- **Compatibility:** Works with 5530M and M2M communicators
- **Features:** Contact ID reporting, Open/Close reports integration

Product Usage Instructions

Wiring Uplink's Cellular Communicators to Interlogix Simon XT

Ensure proper wiring of the communicators following the provided diagram.

Programming the Panel

1. Access System Programming by pressing Down 3 times.
2. Enter the default installer code 4321 and press OK.
3. Set up Phone #1 by entering the phone number and saving it.
4. Enable DTMF Dial by selecting ON and saving.
5. Configure Opening and Closing Reports to ON.

6. Select All CID for Reporting Communication Modes.
7. Exit programming mode by following the prompts.

FAQ

Q: What is the default installer code for programming?

A: The default installer code is 4321.

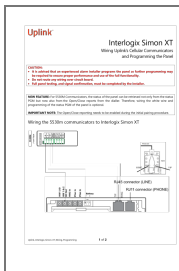
Q: How do I enable Open/Close reporting?

A: Open/Close reporting can be enabled during the initial pairing procedure. Ensure it is set up for proper functionality.

Q: Can I retrieve panel status from Open/Close reports?

A: Yes, with 5530M Communicators, panel status can be retrieved from Open/Close reports in addition to the status PGM.

Documents / Resources



[Uplink Interlogix Simon XT Wiring Cellular Communicators and Programming the Panel \[pdf\] Instructions](#)

Interlogix Simon XT Wiring Cellular Communicators and Programming the Panel, Simon XT Wiring Cellular Communicators and Programming the Panel, Wiring Cellular Communicators and Programming the Panel, Cellular Communicators and Programming the Panel, Communicators and Programming the Panel, Programming the Panel, Panel

References

- [User Manual](#)

[Manuals+](#), [Privacy Policy](#)

This website is an independent publication and is neither affiliated with nor endorsed by any of the trademark owners. The "Bluetooth®" word mark and logos are registered trademarks owned by Bluetooth SIG, Inc. The "Wi-Fi®" word mark and logos are registered trademarks owned by the Wi-Fi Alliance. Any use of these marks on this website does not imply any affiliation with or endorsement.