

unv IPC2225SE-DF40K-WL IPC 5MP Bullet



unv IPC2225SE-DF40K-WL IPC 5MP Bullet Owner's Manual

[Home](#) » [UNV](#) » unv IPC2225SE-DF40K-WL IPC 5MP Bullet Owner's Manual 

Contents

- [1 unv IPC2225SE-DF40K-WL IPC 5MP Bullet](#)
- [2 Product Information](#)
- [3 Product Usage Instructions](#)
- [4 FAQs](#)
- [5 Key Features](#)
- [6 Specifications](#)
- [7 Dimensions](#)
- [8 Accessories](#)
- [9 Documents / Resources](#)
 - [9.1 References](#)



unv IPC2225SE-DF40K-WL IPC 5MP Bullet



Product Information

- UNV 5MP Bullet Network Camera IPC2225SE-DF40K-WL

- The UNV 5MP Bullet Network Camera is designed for video surveillance with advanced features to enhance security monitoring.

- **Key Features:**

- 5MP HD Intelligent ColorHunter Fixed Bullet Camera
- Minimum Illumination: 0.001Lux (Color)
- Shutter Adjustment: Auto/Manual, 1 ~ 1/100000s
- Wide Dynamic Range (WDR) of 120dB
- Smart intrusion prevention features
- Support for various detection methods like motion detection, line crossing, intrusion, and more
- Audio support with two-way audio communication
- Network storage options and edge storage up to 256GB
- Weatherproof design with IP67 Ingress Protection and IK10 Vandal Resistance

- **Specifications:**

- **Camera Sensor:** 1/2.7" 5.0-megapixel progressive scan CMOS
- **Lens:** 4.0mm (IPC2225SE-DF40K-WL-I0)
- **Minimum Illumination:** Color: 0.001Lux (F1.0, AGC ON)
- **LED Distance:** Up to 30m (98ft)
- **Audio Compression:** G.711, Audio Bitrate: 64 Kbps
- **Network Protocols:** IPv4, IPv6, RTSP, HTTP, HTTPS, FTP, and more
- **Certifications:** FCC, CE-ROHS, UL 62368-1

Product Usage Instructions

- **Installation:**

- Choose a suitable mounting location for the camera.
- Securely mount the camera using appropriate screws and brackets.
- Connect the camera to a power source and network using the provided cables.

- **Configuration:**

- Access the camera's settings interface via a web browser or dedicated software.
- Set up network configurations such as IP address, protocols, and storage options.
- Create user accounts with appropriate permissions for access control.

- **Monitoring:**

- Access the live feed of the camera through a web browser or compatible software.
- Utilize the various detection features like motion detection and intrusion prevention for enhanced monitoring.
- Review recorded footage stored on the camera or network storage.

FAQs

- **Q: What is the maximum DORI distance supported by the camera?**

- **A:** The camera supports DORI distances up to 30m (98ft) for clear identification purposes.

- **Q: Does the camera support audio communication?**

- **A:** Yes, the camera features audio support with G.711 compression and two-way audio communication capabilities.

• **Q: How can I access the camera remotely?**

- **A:** You can access the camera remotely through a web browser or dedicated software using the provided network protocols and settings.

5MP HD Intelligent ColorHunter Fixed Bullet Network Camera

• **IPC2225SE-DF40(60)K-WL-I0**



Key Features



- High quality image with 5MP, 1/2.7" CMOS sensor
- 5MP (2880*1620)@30/25fps; 4MP (2560*1440)@30/25fps; 3MP (2304*1296)@30/25fps; 2MP (1920*1080)@30/25fps;
- Ultra 265, H.265, H.264, MJPEG
- Intelligent perimeter protection, including cross line, intrusion, enter area, and leave area detection
- Based on target classification, smart intrusion prevention significantly reduces false alarms caused by leaves, bird lights etc.,
- accurately focus on human and, motor vehicle and non-motor vehicle
- Intelligent People Flow Counting and Crowd Density Monitoring
- Colorhunter technology ensures 24-hour full-colour images
- 120dB true WDR technology enables clear images in the strong light scene
- Support 9:16 corridor Mode
- Alarm:1 in/1 out, Audio: 1 in/1 out
- Supports 256 G micro SD card
- IK10 vandal-resistance and IP67 protection
- Support PoE power supply

Specifications

	IPC2225SE-DF40K-WL-I0	IPC2225SE-DF60K-WL-I0
--	-----------------------	-----------------------

Camera					
Sensor	1/2.7", 5.0 megapixel, progressive scan, CMOS				
Minimum Illumination	Colour: 0.001Lux (F1.0, AGC ON)				
Shutter	Auto/Manual, 1 ~ 1/1000000s				
Adjustment angle	Pan: 0° ~ 360°	Tilt: 0° ~ 90°			Rotate: 0° ~ 360°
WDR	120dB				
S/N	>56dB				
Lens					
Lens	4.0mm@F1.0			6.0mm@F1.0	
The angle of View (H)	80.2°			53.4°	
The angle of View (V)	43.0°			29.2°	
The angle of View (O)	94.7°			61.6°	
DORI					
DORI Distance	Lens (mm)	Detect m	Observe m	Recognize m	Identify m
	4.0	90.0	36.0	18.0	9.0
	6.0	135.0	54.0	27.0	13.5
Illuminator					
LED Distance	Up to 30m (98ft)				
LEDs Number	2				
LED On/Off Control	Auto/Manual				
Video					

Video Compression	Ultra265, H.265, H.264, MJPEG
H.264 code profile	Baseline profile, Main profile, High profile
Frame Rate	Main Stream: 5MP (2880*1620), Max 30fps; 4MP (2560*1440), Max 30fps; 3MP (2304*1296), Max 30fps; 2MP (1920*1080), Max 30fps; 720P(1280*720), Max 30fps Sub Stream: 720P (1280*720), Max 30fps; D1 (720*576), Max 30fps; 640*360, Max 30fps; Third Stream: D1 (720*576), Max 30fps; 640*360, Max 30fps; 2CIF(704*288), Max 30fps; CIF(352*288), Max 30fps;
Video Bit Rate	128 Kbps~16 Mbps
U-code	Support
ROI	Up to 8 areas
Video Stream	Triple streams
OSD	Up to 8 OSDs
Privacy Mask	Up to 4 areas
Image	
White Balance	Auto/Outdoor/Fine Tune/Sodium Lamp/Locked/Auto2
Image Setting	Image rotation, brightness, saturation, contrast, sharpness, gain adjustable by web browser
Digital noise reduction	2D/3D DNR
Smart Illumination	Support
Flip	Normal/Vertical/Horizontal/180°/90°Clockwise/90°Anti-clockwise
Dewarping	N/A
HLC	Support

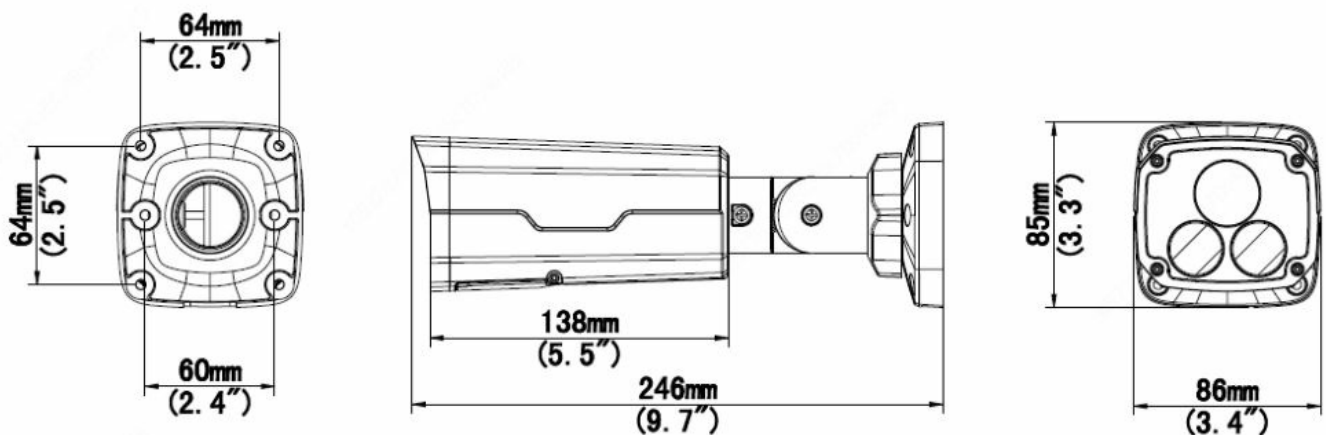
BLC	Support
Defog	Digital Defog
Intelligent	
Smart intrusion prevention	Support false alarm filtering: Line crossing detection, Intrusion detection, Region entrance detection, Region exit detection
Statistical Analysis	People counting, support tripwire people counting and area people counting
Events	
Basic Detection	Motion detection, Ultra motion detection, Tampering alarm, Audio Detection
General Function	Watermark, IP Address Filtering, Alarm input, Alarm output, Access Policy, ARP Protection, RTSP Authentication, User Authentication
Audio	
Audio Compression	G.711
Audio Bitrate	64 Kbps
Two-way audio	Support
Suppression	Support
Sampling Rate	8KHZ
Storage	
Edge Storage	Micro SD, up to 256GB
Network Storage	ANR, NAS(NFS)
Network	
Protocols	IPv4, IPv6, IGMP, ICMP, ARP, TCP, UDP, DHCP, PPPoE, RTP, RTSP, RTCP, DNS, DDNS, NTP, FTP, UPnP, HTTP, HTTPS, SMTP, 802.1x, SNMP, QoS, RTMP, SSL/TLS, SSH

Compatible Integration	ONVIF (Profile S, Profile G, Profile T), API,SDK
Client	EZStation EZView EZLive
Web Browser	Plug-in required live view: IE 10 and above, Chrome 45 and above, Firefox 52 and above, Edge 79 and above
	Plug-in free live view: Chrome 57.0 and above, Firefox 58.0 and above, Edge 16 and above
Interface	
Audio I/O	Input: impedance 35kΩ; amplitude 2V [p-p]
	Output: impedance 600Ω; amplitude 2V [p-p]
Alarm I/O	1/1
RS485	N/A
Built-in Mic	N/A
Built-in Speaker	N/A
WIFI	N/A
Network	1 RJ45 10M/100M Base-TX Ethernet
Video Output	N/A
Certifications	
EMC	FCC CFR 47 Part 15 EN 55032:2015 EN 55024:2010 EN 61000-3-2:2014 EN 61000-3-3-2013

Safety	IEC 62368-1
	EN 62368-1
	UL 62368-1

Environment	CE-ROHS (2011/65/EU;(EU)2015/863); WEEE (2012/19/EU); REACH (Regulation (EC) No 1907/2006)
Protection	Ingression protection: IP67 (IEC 60529-2013) Vandal resistant: IK10 (IEC 62262:2002)
General	
Power	DC 12V±25%, PoE (IEEE 802.3af)
	Power consumption: Max 9.0W
Power Interface	Ø 5.5mm coaxial power plug
Dimensions (L × W × H)	246× 86 × 85mm (9.7" × 3.4" × 3.3")
Weight	0.92kg (2.02lb)
Material	Metal
Working Environment	-30°C ~ 60°C (-22°F ~ 140°F), Humidity: ≤95% RH (non-condensing)
Storage Environment	-30°C ~ 60°C (-22°F ~ 140°F), Humidity: ≤95% RH (non-condensing)
surge protection	4KV
Reset Button	N/A

Dimensions



Accessories

TR-JB07-D-IN



TR-JB06-A-IN



TR-UP06-B-IN

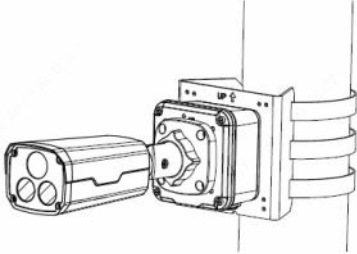
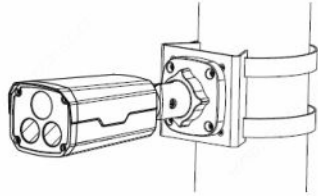


TR-UP06-C-IN



TR-A01-IN



Junction Mount	Pole Mount
TR-JB07-D-IN(TR-JB06-A-IN)+ TR-UP06-C-IN	TR-UP06-B-IN
	

- Zhejiang Uniview Technologies Co., Ltd.
- Building No.10, Wanlun Science Park, Jiangling Road 88, Binjiang District, Hangzhou, Zhejiang, China (310051)
- **Email:** overseasbusiness@uniview.com; globalsupport@uniview.com.
- <http://www.uniview.com>.
- © 2020-2022 Zhejiang Uniview Technologies Co., Ltd. All rights reserved.
- Product specifications and availability are subject to change without notice.
- <https://tehnoteka.rs>.
- <https://tehnoteka.rs/p/unv-kamera-za-video-nadzor-ipc-5mp-bullet-40mmipc2225se-df40k-wl-akcija-cena/>.



[unv IPC2225SE-DF40K-WL IPC 5MP Bullet](#) [pdf] Owner's Manual
IPC2225SE-DF40K-WL IPC 5MP Bullet, IPC2225SE-DF40K-WL, IPC 5MP Bullet, 5MP Bullet,
Bullet

References

- [PDF](#) [TCPDF](#)
- [Tehnoteka - Poređenje cena i karakteristika - Kupujte pametno](#)
- [Tehnoteka - Poređenje cena i karakteristika - Kupujte pametno](#)
- [User Manual](#)

[Manuals+](#), [Privacy Policy](#)

This website is an independent publication and is neither affiliated with nor endorsed by any of the trademark owners. The "Bluetooth®" word mark and logos are registered trademarks owned by Bluetooth SIG, Inc. The "Wi-Fi®" word mark and logos are registered trademarks owned by the Wi-Fi Alliance. Any use of these marks on this website does not imply any affiliation with or endorsement.