

[Skip to content](#)

Manuals+

User Manuals Simplified.

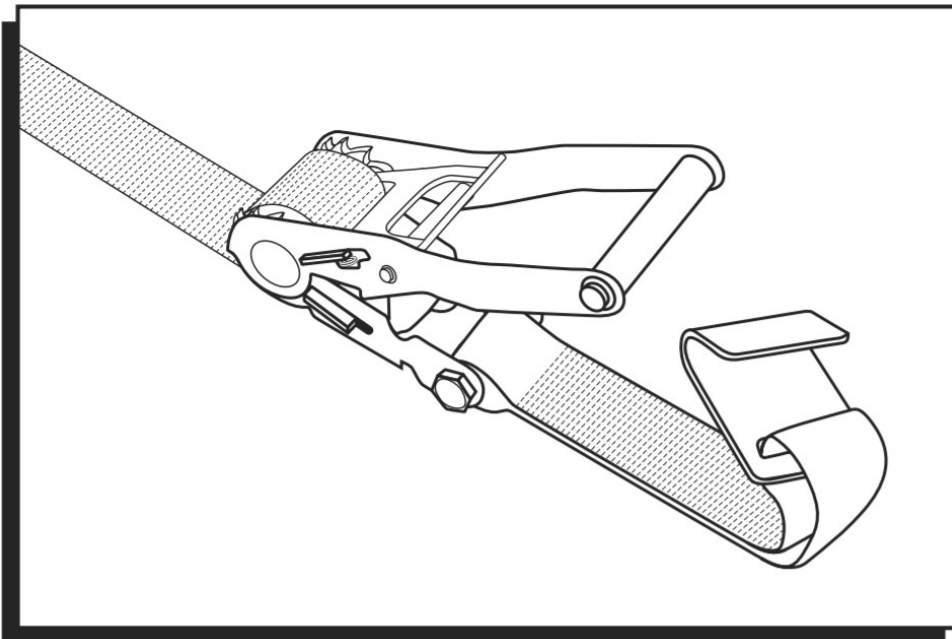


ULINE Ratchet Tie-Downs Instruction Manual

Home » [ULINE](#) » ULINE Ratchet Tie-Downs Instruction Manual 

ULINE

RATCHET TIE-DOWNS

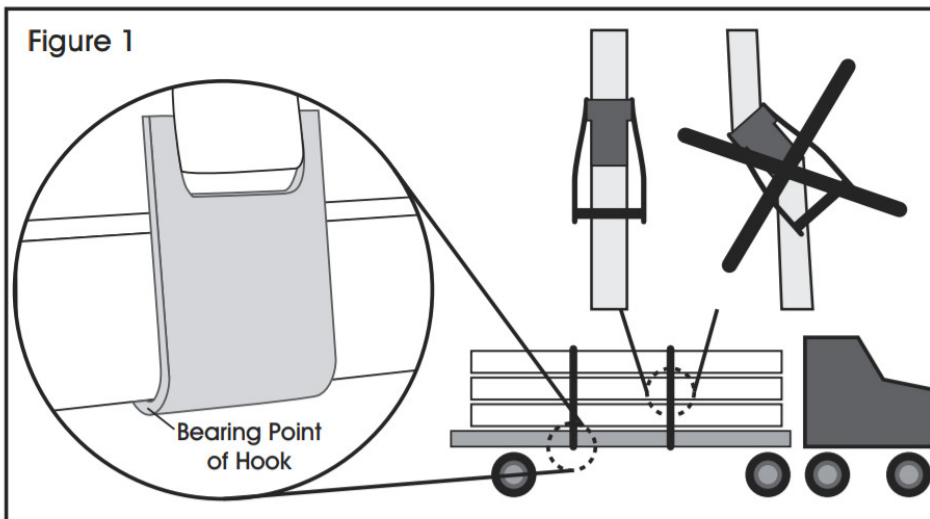


USAGE INSTRUCTIONS

1. Fully engage end hooks so that a secure tie-down point rests against the base (Bearing Point) of the hook. Never load the tip of the hook.

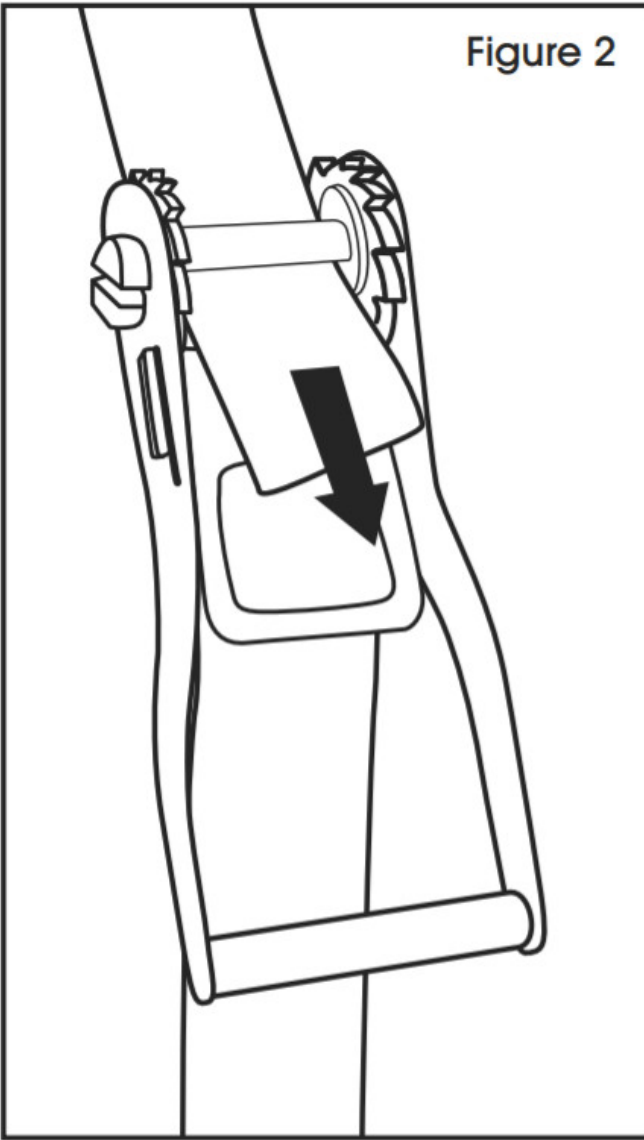


NOTE: Handle must always be in line with the direction of pull to achieve Working Load Limit. (See Figure 1)



2. Insert the free end of the strap through the mandrel slot in the ratchet and pull through until the strap is snug around the load. (See Figure 2)

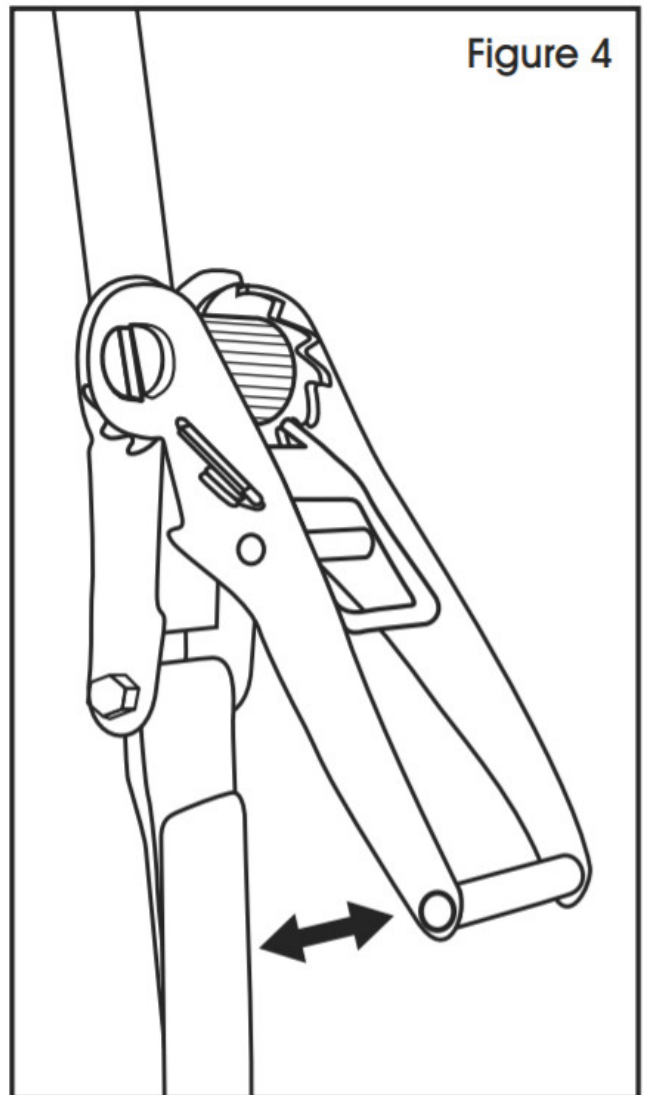
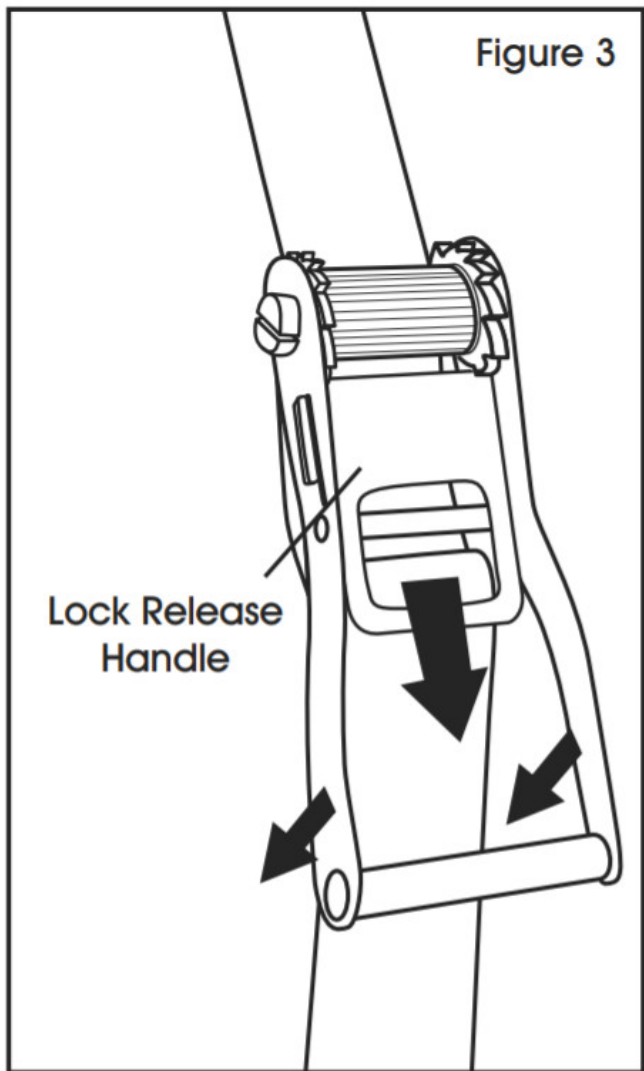
Figure 2



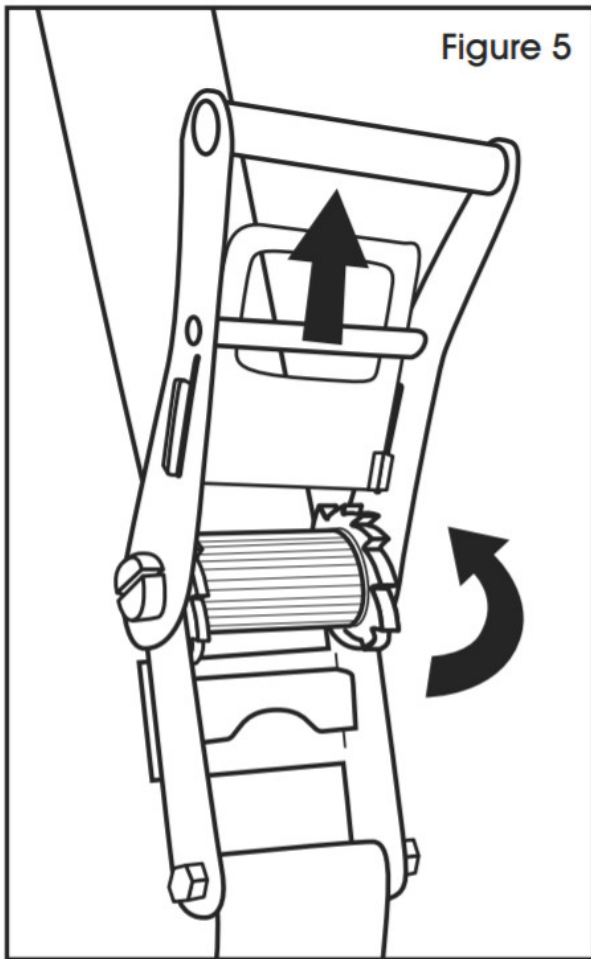
3. If the handle is closed and locked, pull on the Lock Release Handle to disengage. (See Figure 3)
Then tighten the strap by pumping the handle until the strap is tight. (See Figure 4)



NOTE: A minimum of two wraps of webbing around the mandrel is required



4. Lock ratchet assembly by pulling on the Lock Release Handle and pushing the main handle until fully closed.
5. To release tension or remove tiedown, pull on Lock Release Handle and rotate main handle 180° to lock in the open position.
The mandrel will be free to turn and release webbing. (See Figure 5)

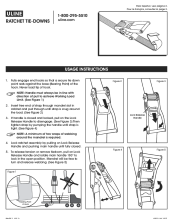


ULINE

1-800-295-5510

uline.com

File Downloads



ULINE Instruction Manual [Download](#) [optimized]
Ratchet Tie-Downs [Download](#)

Related Manuals

1. [BraunAbility Front tie-downs User Manual](#) Front tie-downs User manual Thank you for choosing a Front...
2. [BraunAbility Rear tie-downs User Manual](#) BraunAbility Rear tie-downs Thank you for choosing a Rear tie-downs...
3. [BraunAbility Electric Front Reel Tie-Downs User Manual](#) BraunAbility Electric Front Reel Tie-Downs User Manual Thank you...
4. [ULINE Cantilever Racks Instruction Manual](#) CANTILEVER RACKS 1-800-295-5510 uline.com TOOLS NEEDED Wrenches: 3/4", 15/16", 1 1/8"...
5. [ULINE Peanut Dispensers Instruction Manual](#) ULINE Peanut Dispensers TOOLS NEEDED RECOMMENDED HARDWARE (NOT INCLUDED) PARTS...
6. [ULINE Easy Count Scales Instruction Manual](#) ULINE Easy Count Scales Instruction Manual uline.com GENERAL INFORMATION AVOID...