

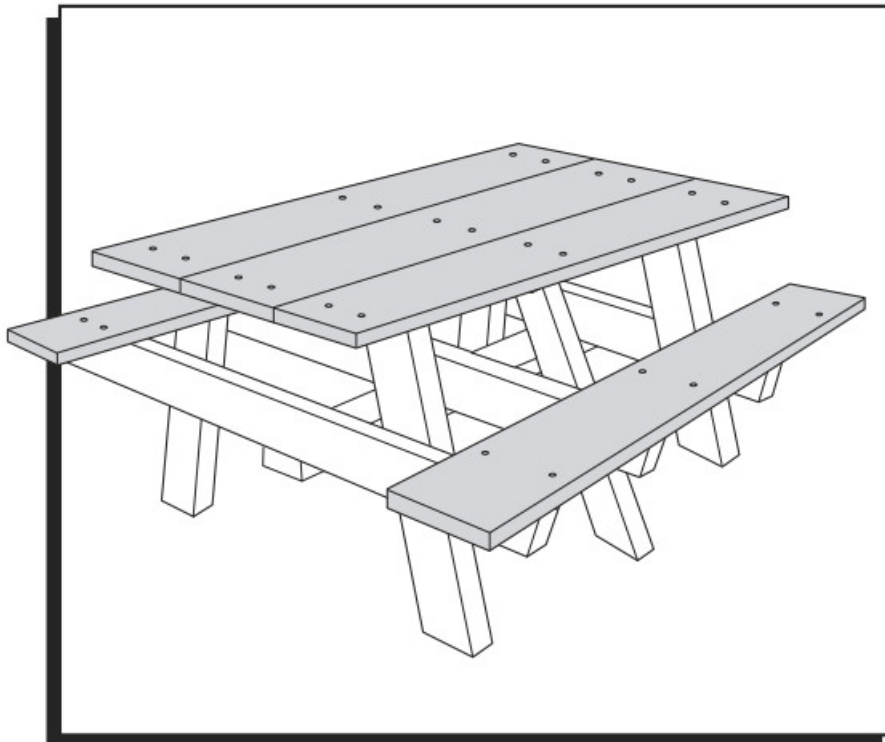


ULINE H-2564 8' A-FRAME Picnic Table Installation Guide

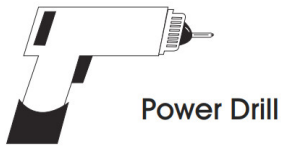
[Home](#) » [ULINE](#) » ULINE H-2564 8' A-FRAME Picnic Table Installation Guide 

ULINE

H-2564
8' A-FRAME PICNIC TABLE
1-800-295-5510
uline.com



 7/16" (11 mm) Socket Bit



Two person assembly (optional)

Contents

[1 PARTS](#)

[2 ASSEMBLY](#)

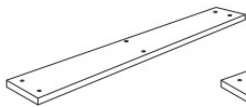
[3 ASSEMBLY](#)

[CONTINUED](#)

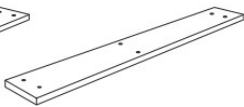
[4 Documents / Resources](#)

[5 Related Posts](#)

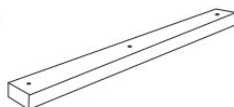
PARTS



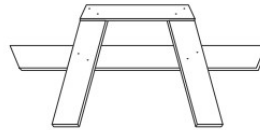
Seat Board x 2



Tabletop Board x 3



Leg Brace Board x 1



A-Frame Base x 3



3 1/2" Lag Screw x 33



Washer x 33

ASSEMBLY

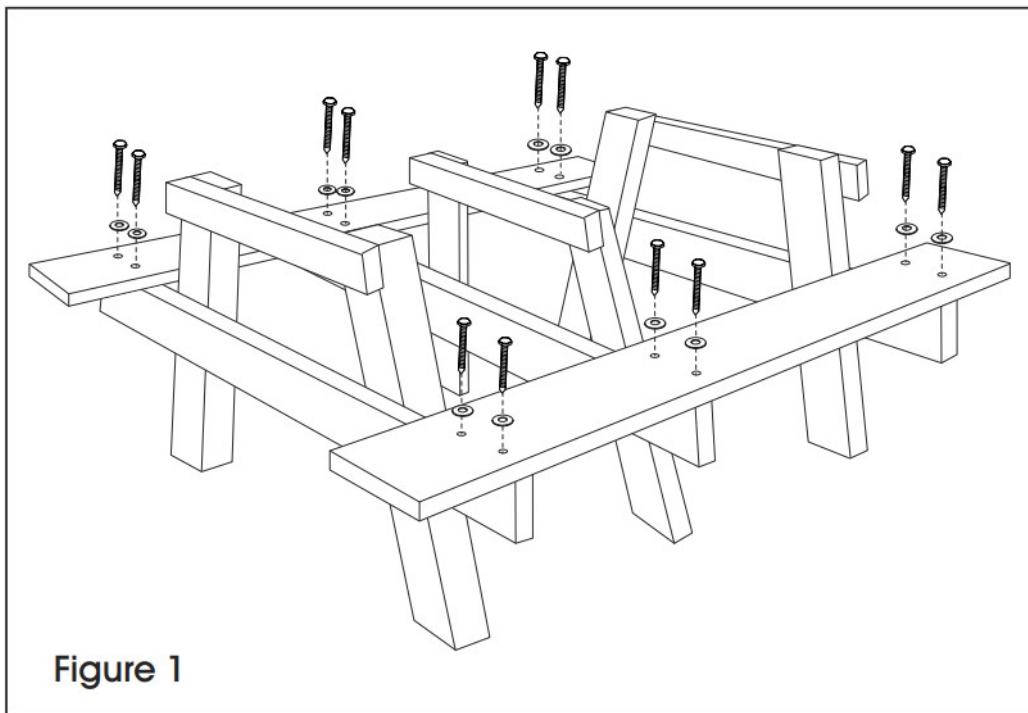


NOTE: It is important to keep the lag screws loose throughout the assembly. Tighten during step 6.

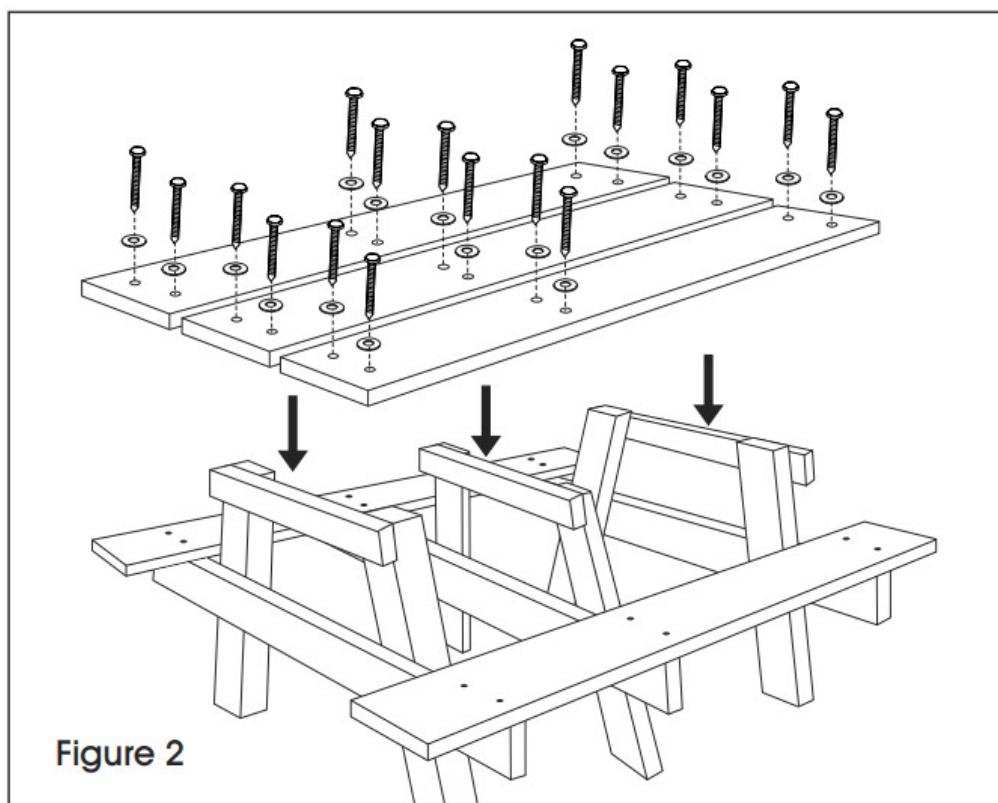


WARNING! Do not lean on tabletop or seats when assembling.

1. Verify all parts are present before beginning.



2. Place the three A-Frame bases on a flat, level surface.



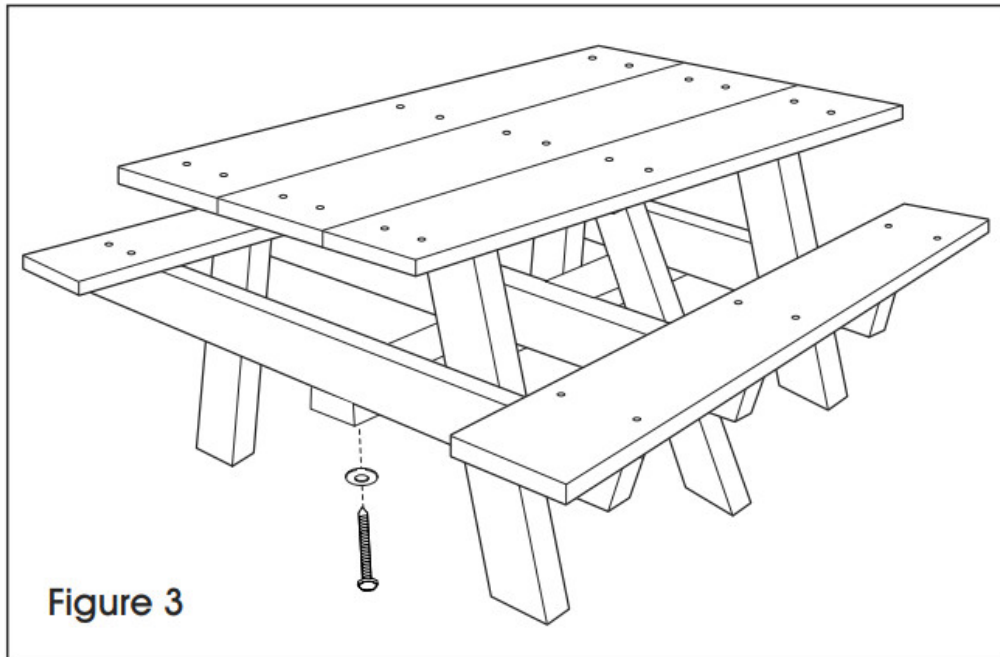
3. Place one seat board on each side of the A-Frame bases. Align the pre-drilled holes over the middle of the A-Frame base supports. The seat board should be flush with the end of support.
4. Loosely attach seat boards to the A-Frame base with the 3/2" lag screws and washers using the power drill and 7/16" socket bit (will tighten later in step 6). (See Figure 1)
5. Place the three tabletop boards on the A-Frame bases. Align the pre-drilled holes with the A-Frame base. Loosely attach tabletop board slats to A-Frame base with the 3/2" lag screws and washers using the power drill and 7/16" socket bit (will tighten later in step 6). (See Figure 2)
6. Make sure the table is square and tighten all lag screws.

ASSEMBLY CONTINUED

7. Attach leg brace board to the underside of the A-Frame bases with the 1/4" lag screws and washers using the power drill. (See Figure 3) ,—,



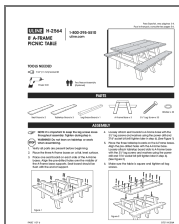
NOTE: H-6681 Mounting hardware sold separately.



ULINE

H-2564
1-800-295-5510
uline.com
0721 IH-2564

Documents / Resources



[ULINE H-2564 8' A-FRAME Picnic Table](#) [pdf] Installation Guide
H-2564, 8 A-FRAME Picnic Table