

TZS TP-BF02 Bluetooth Headset User Guide

[Home](#) » [TZS](#) » TZS TP-BF02 Bluetooth Headset User Guide

Contents [[hide](#)]

- [1 TZS TP-BF02 Bluetooth Headset](#)
- [2 In the Box](#)
- [3 Overview](#)
- [4 How to Wear](#)
- [5 Operation](#)
- [6 Connecting](#)
- [7 Calls with a Smartphone](#)
- [8 Charging the Headset](#)
- [9 Other Operations](#)
- [10 Product Specifications](#)
- [11 Safety information](#)
- [12 Troubleshooting & Support](#)
- [13 FCC Statement](#)
- [14 Documents / Resources](#)
- [15 Related Posts](#)



TZS TP-BF02 Bluetooth Headset



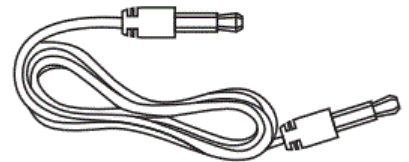
In the Box



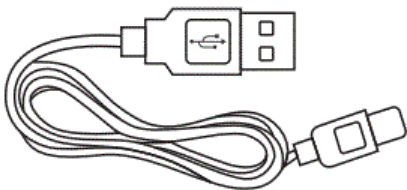
Headset



Boom Mic



3.5mm Audio Cable

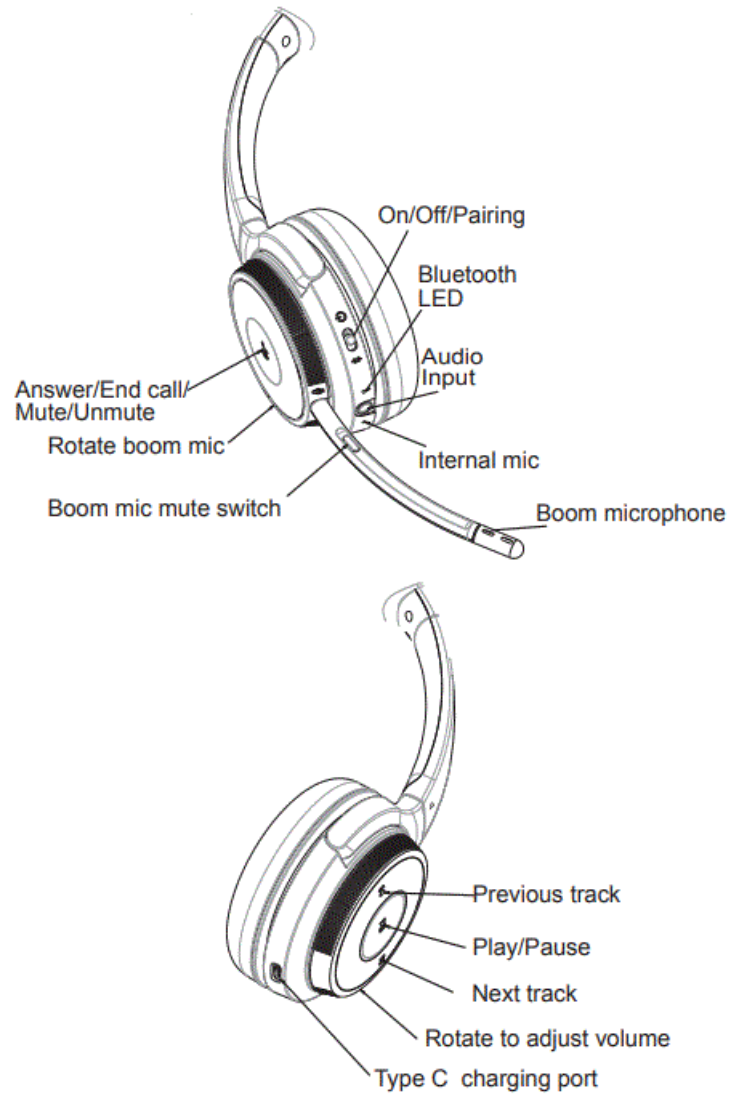


Type-C Charging Cable



User Guide

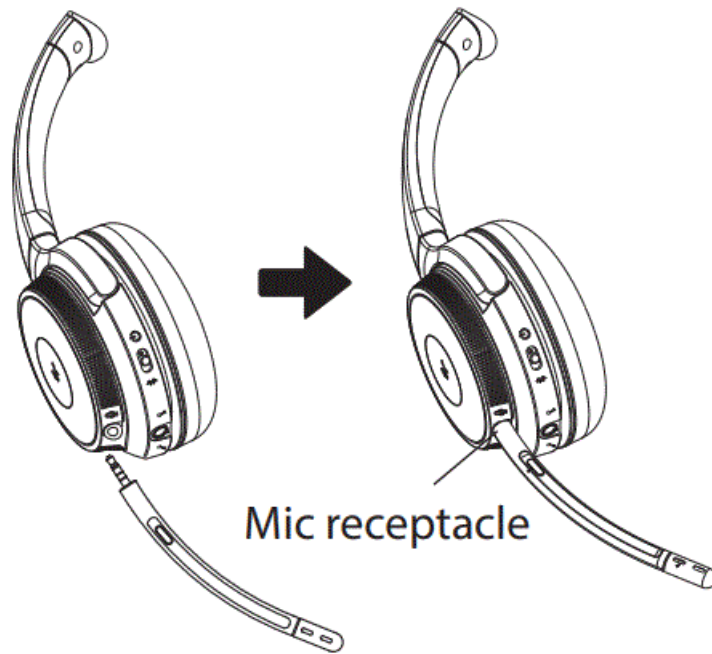
Overview



How to Wear

1. Insert the detachable Boom Microphone into the 2.5mm receptacle located on the headset.

Note: Please fully insert the boom microphone before use.



2. The boom microphone can move to accommodate a user's preference for right side or left side wear.

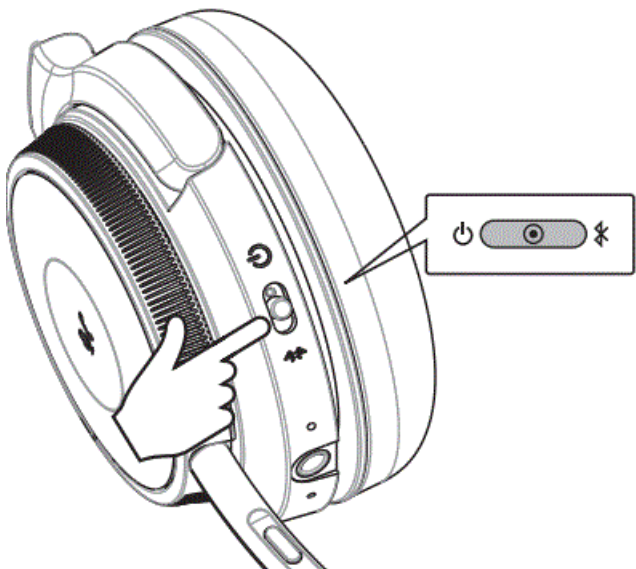


3. Position the microphone to your preference.



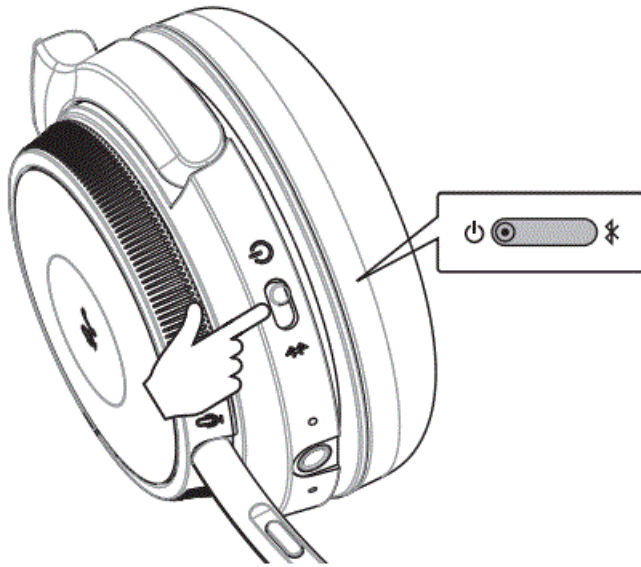
Operation

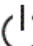
Power On



Slide the switch to the
CENTER position

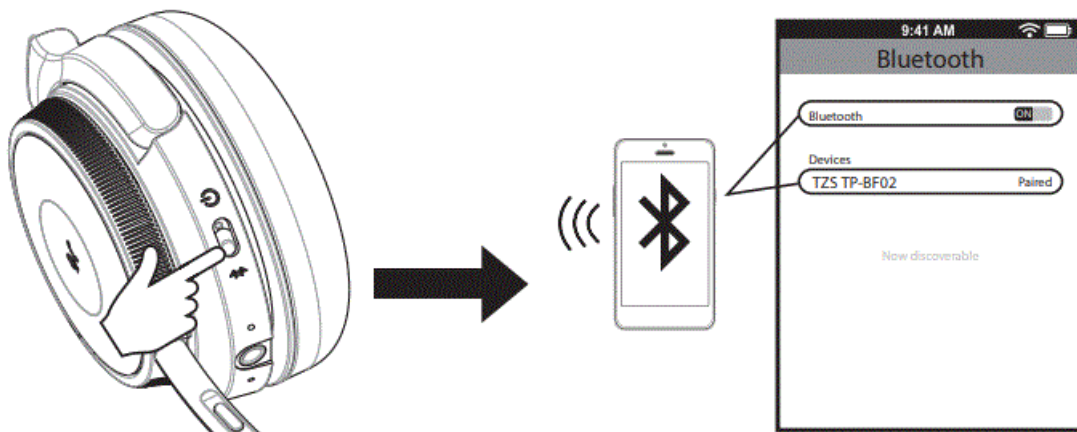
Power Off




Slide the switch to the  position

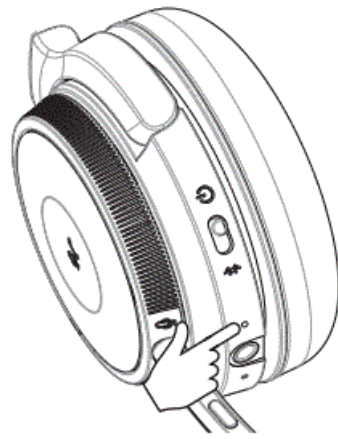
Connecting

How to connect with the Bluetooth device

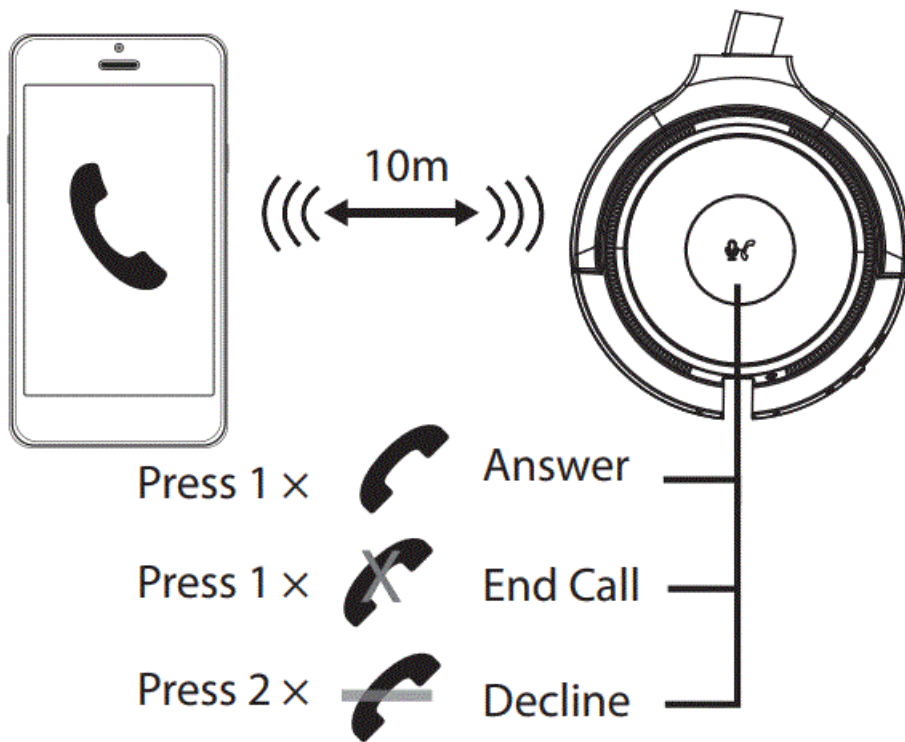


Slide the power switch to the “” position and hold until ‘pairing’ is heard or the pairing LED flashes. Activate “Bluetooth” in your device’s settings and select “TZS TP-BF02”.

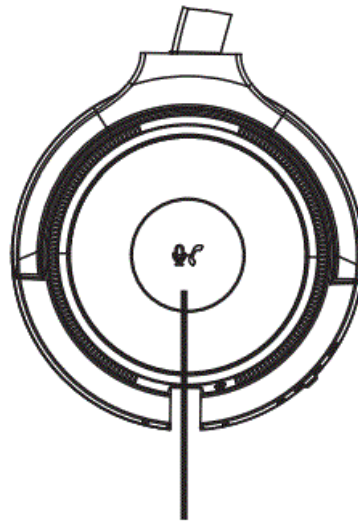
The Led will flash blue to indicate the headphone is connected, and ‘connected’ is heard.



Calls with a Smartphone



Siri/Cortana/Assistance

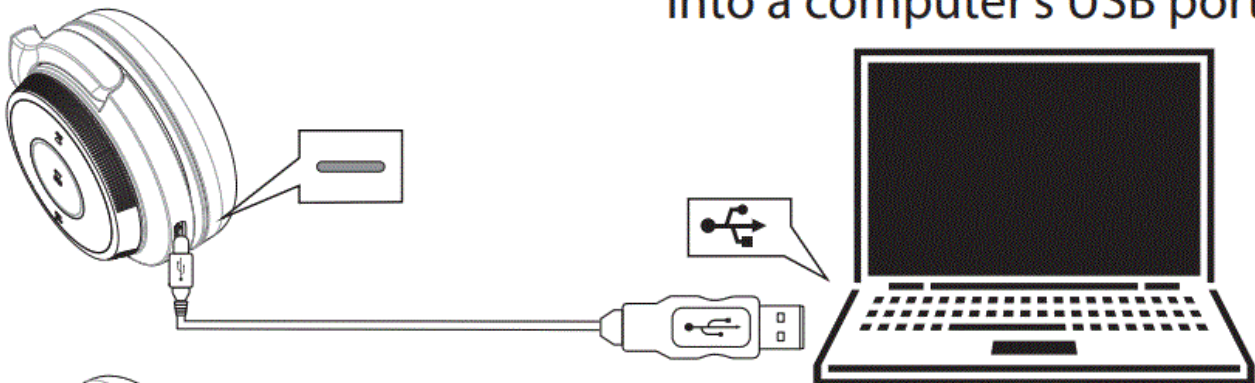


Press 2 ×

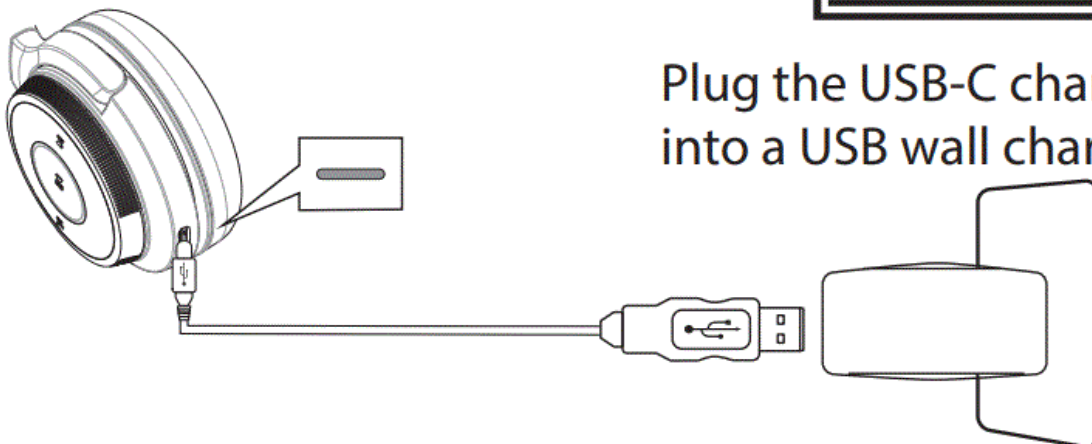
Charging the Headset

During charging the red LED will light. When fully charged, the LED will turn off. The headset remains on during charging. To power off, the headset's power switch must be slid to the off position.

Plug the USB-C charging cable into a computer's USB port.



Plug the USB-C charging cable into a USB wall charger.

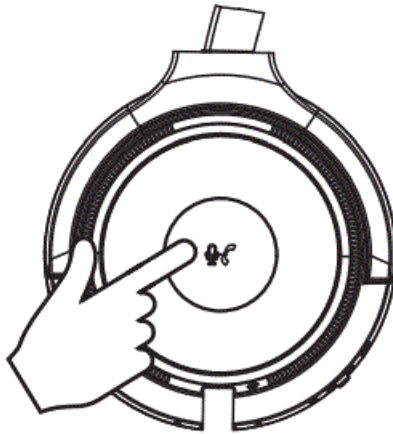


Other Operations

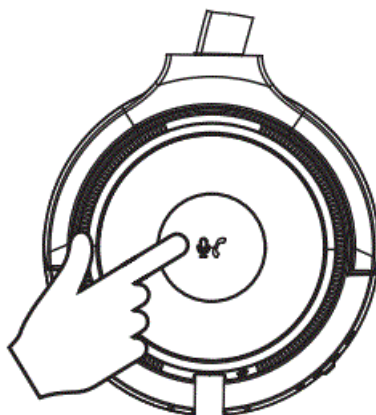
Muting the Boom Mic: Depress and hold the button for 2 seconds.



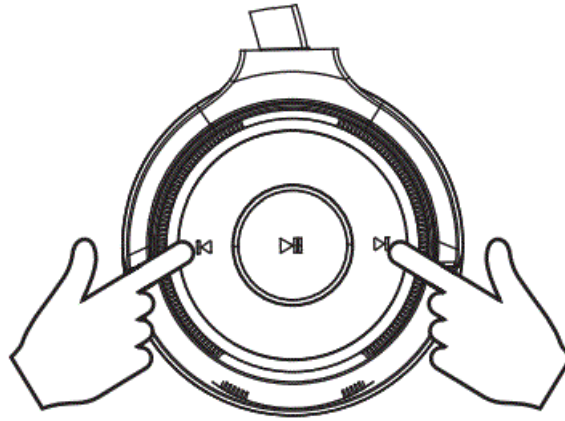
Muting the internal Mic: (When boom mic is not in use) Depress and hold the volume ' - ' 2 seconds.



Battery Status: After the headset is powered on, depress and hold the call button 2 seconds to hear the current battery status 100% -75%-50%-25%.



Clearing the pairing: While the headset is powered on, press and hold the previous and next track buttons simultaneously for 10 seconds. A pink LED will light for 2 seconds and the headset will then enter pairing mode.



Product Specifications

- **Bluetooth version:** Bluetooth V5.0
- **Bluetooth Profile:** A2DPv1.3.1; AVRCPv1.6; HFPv1.7; HSPv1.2; SPP v1.2; DID v1.3; HID v1.1; PXP v1.0.1; FMP v1.0; BAS v1.0
- **Working Frequency:** 2.402GHz-2.480GHz Frequency Response: 99±3dB
- **Receiving sensitivity:** >-89dBm
- **Battery type:** Lithium polymer
- **Mic type and sensitivity:** Virtual Microphone -42±3dB Headphone Driver Size: 30mm
- **Battery capacity:** 410mAh
- **DC Input:** 5V_500MA
- **FCC ID:** 2AKI8-TP-BF01
- **Charging voltage:** 5V/2A
- **Bluetooth working range:** Up to 10m
- **Talk time:** Up to 40 hours
- **Charging time:** Approximately 2 hours
- **Standby time:** Approximately 273 hours Compatibility: Windows 10, mac OS 10.14 or later, iOS and Android

WARNING

Headsets can deliver sounds at loud volumes and high-pitched tones. Avoid prolonged use of the headset at excessive sound pressure levels. Please read the safety guidelines below prior to using this headset.

Safety information

The use of a headset will impair your ability to hear other sounds. Use caution while using your headset when you are engaging in any activity that requires your full attention. This package contains small parts that may be hazardous to children and should be kept out of reach from children.

Do not attempt: To dismantle or service the product as this may cause a short circuit or other malfunction which could result in a fire or electric shock. Avoid exposing your product to rain, moisture, or other liquids to avoid damage to the product or injury to you. Keep all products, cords, and cables away from operating machinery. Avoid use while operating a motor vehicle.

Built-in battery care: Please observe the following if the product contains a battery. Your product is powered by a rechargeable battery. The full performance of a new battery is achieved only after two or three complete charge and discharge cycles. The battery can be charged and discharged hundreds of times but will eventually wear out. Always try to keep the battery between 15°C and 25°C (59°F and 77°F). A product with a hot or cold battery may

not work temporarily, even when the battery is fully charged. Battery performance is particularly limited in temperatures well below freezing.

Battery warning!

CAUTION – The battery used in this product may present a risk of fire or chemical burn if mistreated. Do not attempt to open the product or replace the battery. This will void the warranty.

Troubleshooting & Support

Headphones will not power on:

- Be sure the headphones are fully charged.

My mobile device is unable to find the Bluetooth headphones

- Confirm the headphones are in pairing mode (blue/red indicator lights flashing).
- Remove “TZS TP-BF02” from your phone’s Bluetooth device list and try again.
- If the model still does not appear, restart the headset and phone, then try again.

After successfully pairing, the headphones disconnect

- Be sure the battery has adequate power and recharge.
- Headphones must be within 10m of most mobile devices.
- Connections may be affected by obstructions such as walls or other electronic devices. Try moving closer to the device you are connected to.

When answering a call, I cannot hear anything

- Ensure the mobile device is connected to the TZS TP-BF02 headphones and not on the phone’s speaker or other audio option.
- Increase the volume on your mobile device.

There is no sound when listening to music

- Increase the volume on your headphones or your mobile device.
- Reestablish the Bluetooth wireless connection between the headphones and your mobile device.
- Check if the audio app has paused or stopped playback.

Headphones will not charge

- Confirm that the charging cable is operational or undamaged.
- Ensure that the USB charging cable is fully seated in the headphones and wall charger ports.
- Confirm that the USB port is outputting power. Some USB ports shut off when the PC is off.

FCC Statement

Any changes or modifications not expressly approved by the party responsible for compliance could void the

user's authority to operate the equipment. This device complies with Part 15 of the FCC Rules. Operation is subject to the following two conditions:

1. this device may not cause harmful interference, and
2. this device must accept any interference received, including interference that may cause undesired operation.

Note: This equipment has been tested and found to comply with the limits for a Class B digital device, pursuant to Part 15 of the FCC Rules. These limits are designed to provide reasonable protection against harmful interference in a residential installation. This equipment generates, uses, and can radiate radio frequency energy, and if not installed and used in accordance with the instructions, may cause harmful interference to radio communications. However, there is no guarantee that interference will not occur in a particular installation. If this equipment does cause harmful interference to radio or television reception, which can be determined by turning the equipment off and on, the user is encouraged to try to correct the interference by one or more of the following measures:

- Reorient or relocate the receiving antenna.
- Increase the separation between the equipment and receiver.
- Connect the equipment into an outlet on a circuit different from that to which the receiver is connected.
- Consult the dealer or an experienced radio/TV technician for help.

Documents / Resources

	<p>TZS TP-BF02 Bluetooth Headset [pdf] User Guide TP-BF02, TPBF02, 2AKI8-TP-BF02, 2AKI8TPBF02, Bluetooth Headset, TP-BF02 Bluetooth Headset</p>
--	---

Related Posts



[TZS TP-BF01 Bluetooth Headset User Guide](#)

TZS TP-BF01 Bluetooth Headset In the Box Overview How to Wear
Insert the detachable Boom Microphone into...

[Motorola HK250 Bluetooth Headset User Manual](#)

Motorola HK250 Bluetooth Headset User Manual - Download [optimized] Motorola HK250 Bluetooth Headset User Manual - Download



[Logitech A30 Astro Bluetooth Headset User Manual](#)

Logitech A30 Astro Bluetooth Headset SPECIFICATIONS DIMENSION: W X H BLEED SIZE: 4.75 in x 9.25 in TRIM SIZE: 4.5...

[HPBT500 HP Bluetooth Headset User Manual](#)

HPBT500 HP Bluetooth Headset OVERVIEW Battery light Solid white: The headset is on and connected to a device....



[Manuals+.](#) [home](#) [privacy](#)