



TRIDONIC 28003541 BasicDIM Wireless Passive Module Installation Guide

[Home](#) » [TRIDONIC](#) » TRIDONIC 28003541 BasicDIM Wireless Passive Module Installation Guide 

TRIDONIC 28003541 BasicDIM Wireless Passive Module



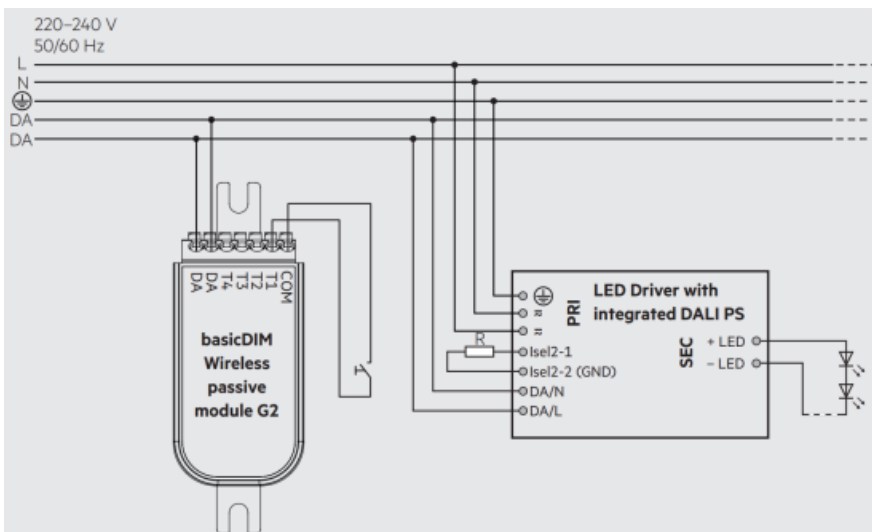
Contents

- 1 Wiring Diagram With External Ps
- 2 Wiring Diagram With Integrated Dali Ps
- 3 Wiring Diagram With Dali Msensor And Dali Ps
- 4 Technical Data
- 5 Safety instructions
- 6 Installation Instructions
- 7 Compatible Devices
- 8 Customer Support
- 9 Documents / Resources
- 9.1 References

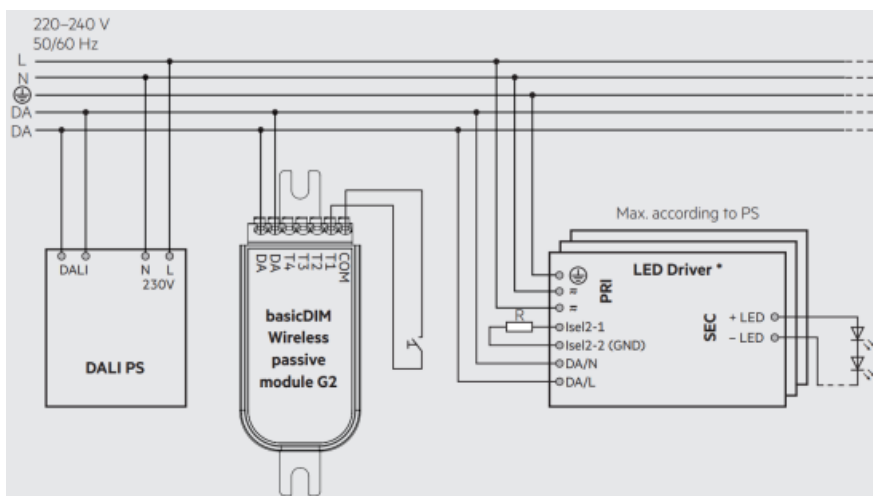
Wiring Diagram With External Ps

- Max. 4 DALI single / group addresses (A0 ... A3 / G0 ... G3) controllable, depending on the device profile of the basic DIM Wireless module.

The rest of the connected drivers can be controlled via broadcast – depending on the device profile.

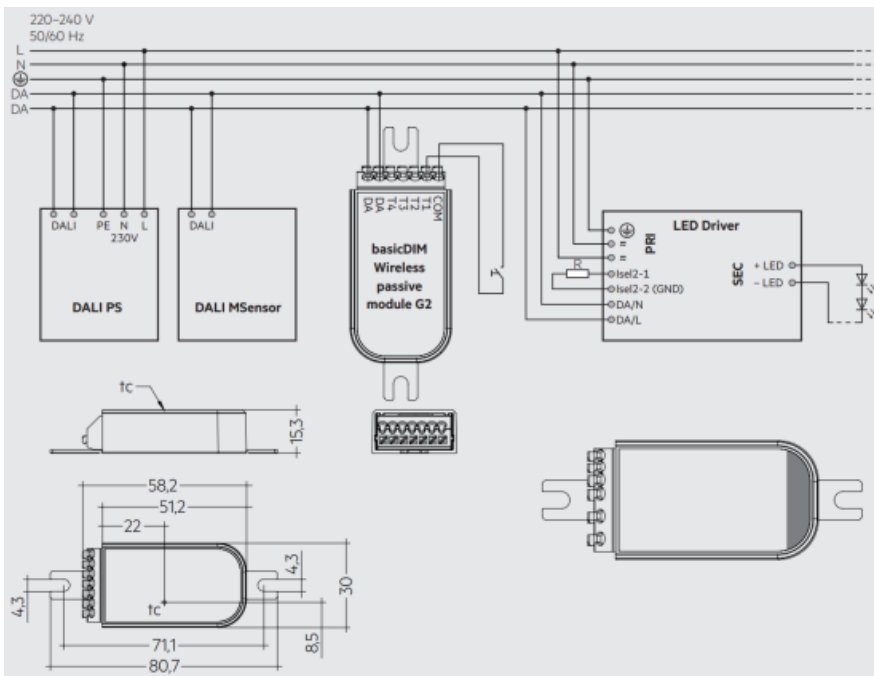


Wiring Diagram With Integrated Dali Ps



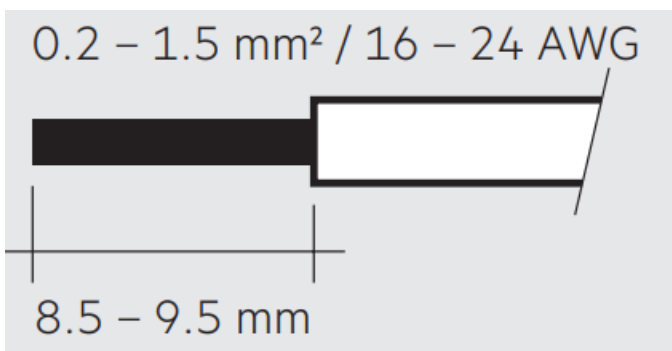
Wiring Diagram With Dali Msensor And Dali Ps

- Antenna is located on the top of the device.



Mains supply / DALI wires:

- solid/fine-stranded



The basicDIM Wireless passive module G2 is a Bluetooth® DALI controller with 4 freely configurable push-button inputs. The module is powered by the DALI bus, no additional mains supply is needed.

Technical Data

Supply voltage DC (acc. IEC 62386-101)	9.5–22.5 V
Current consumption of DALI	4 mA (30 mA at start)
Max. DALI bus current	250 mA
Typ. power input on stand-by	< 0.09 W
Input	4 push-buttons
Max. cable length push button	5 m at 0.2-1.5 mm ²
Operating frequency radio receiver	2.4–2.483 GHz
Max. output power radio receive	+ 4 dBm
Output	DALI (compatible)
Assignable DALI addresses ¹	4
Ambient temperature	-20... +70 °C
tc point	75 °C
Storage temperature	-25... +75°C
Dimensions LxWxH2	80.7 x 30 x 15.3 mm
Type of protection	IP20

1. Assignment of max. 4 single / group addresses, depending on the device profile.
2. Screw fixings can be removed

Safety instructions

- Installation of this device may only be carried out by specialist staff who have provided proof of their skills.
- Switch off the power supply before handling the device.
- Observe the relevant safety and accident prevention regulations.

Installation Instructions

Make sure that the mains voltage is switched off when making any connections.

Use 0.2 – 1.5 mm² solid or stranded electrical wires for the mains supply / DALI terminals and 0.14 – 0.5 mm² for the push-button terminals. Strip the wire 8.5 – 9.5 mm from the end.

Make sure to connect the input and outputs correctly.

Compatible Devices

Compatible with all Android 4.4 (KitKat) or later, iPhone 4S (iOS 5.0) or later and iPad 3 (iOS 5.1) or later.

Hereby, Tridonic declares that the radio equipment type basicDIM Wireless Passive Module G2 is in compliance with Directive 2014/53/EU.

Hereby, Tridonic declares that the radio equipment type basicDIM Wireless Passive Module G2 is in compliance with Directive UK SI 2017 No. 1206.

The full text is available at the following internet address: <https://trid.help/en28003541cer>

Areas Of Application

The device may only

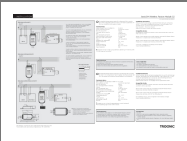
- be used for the applications specified.
- for safe installation in dry, clean environment.
- be installed in such a way that access is only possible using a tool

Customer Support

12/22-15014469-4 We reserve the right to make technical changes without prior notice.
Tridonic GmbH & Co KG, www.tridonic.com, info@tridonic.com, Tel. +43 5572 395-0

TRIDONIC

Documents / Resources

	<p>TRIDONIC 28003541 BasicDIM Wireless Passive Module [pdf] Installation Guide 28003541, 28003541 BasicDIM Wireless Passive Module, 28003541, BasicDIM Wireless Passive Module, Wireless Passive Module, Passive Module, Module</p>
---	---

References

- [T Lighting solutions for smart indoor and outdoor lighting – Tridonic](#)
- [T basicDIM Wireless passive module G2](#)
- [User Manual](#)

Manuals+, Privacy Policy

This website is an independent publication and is neither affiliated with nor endorsed by any of the trademark owners. The "Bluetooth®" word mark and logos are registered trademarks owned by Bluetooth SIG, Inc. The "Wi-Fi®" word mark and logos are registered trademarks owned by the Wi-Fi Alliance. Any use of these marks on this website does not imply any affiliation with or endorsement.