



tp-link F52, F54 Wireless Access Point Installation Guide

[Home](#) » [tp-link](#) » tp-link F52, F54 Wireless Access Point Installation Guide 

tp-link F52, F54 Wireless Access Point Installation Guide

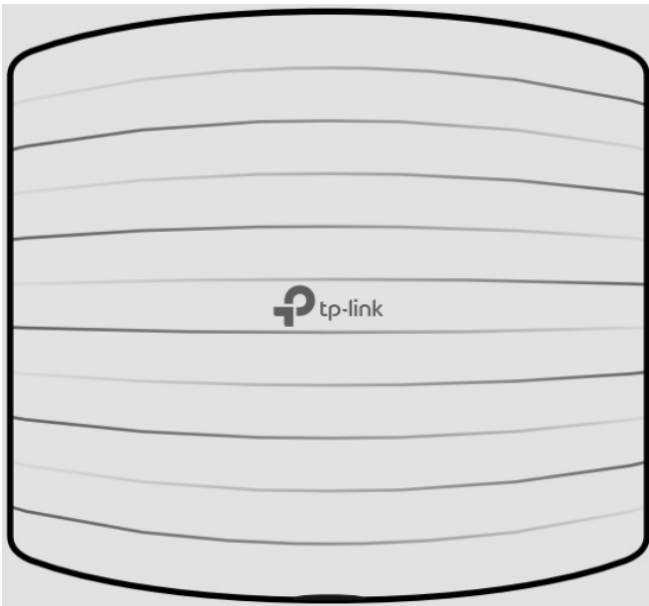


Contents

- 1 [Hardware Overview](#)
- 2 [Hardware Installation](#)
- 3 [Power Supply](#)
- 4 [Software Configuration](#)
- 5 [Safety Information](#)
- 6 [Documents / Resources](#)
 - 6.1 [References](#)
- 7 [Related Posts](#)

Hardware Overview

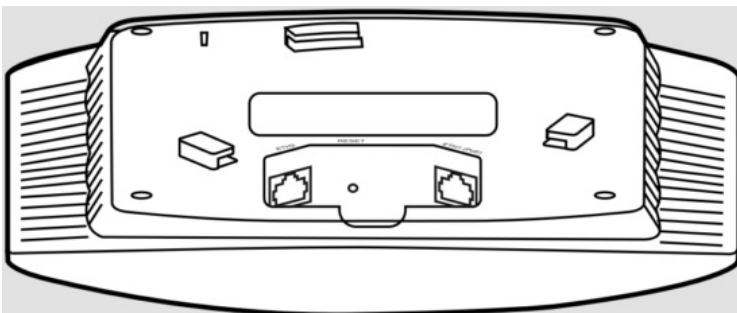
Front Panel



LED Indicator

- **Solid Green:** The device is initializing or working properly.
- **Flashing Green:** The device is in an isolated state.
- **Flashing Yellow:** The device is working abnormally.
- **Slowly Flashing Yellow, Green:** The device is updating. Do not disconnect or power off the device.
- **Quickly Flashing Yellow, Green:** The device is being reset to its factory default settings.

Rear Panel



RESET

With the device powered on, press and hold the button for about 5 seconds until the LED is quickly flashing yellow then green, then release the button. The device will restore to factory default settings.

ETHERNET / ETH1 (PoE)

The port is used to connect to the PoE port of a PoE adapter or a PSE (Power Sourcing Equipment), such as a PoE switch, for both data transmission and Power over Ethernet (PoE) through Ethernet cable.*

* For models with the POWER port, the Ethernet port can also be used to connect to a router or a switch for data transmission only.

ETH2*

The port is used for bridging.

* Some models do not have this additional Ethernet port. For details, refer to the product specifications or datasheet.

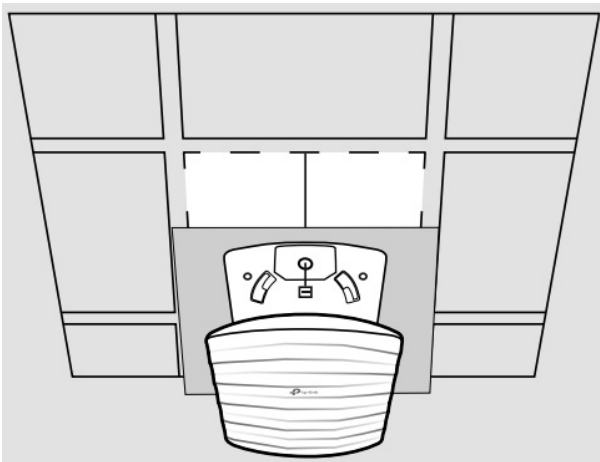
POWER*

Plug one end of the provided power adapter to this port and the other end to a standard electrical wall outlet to supply power.

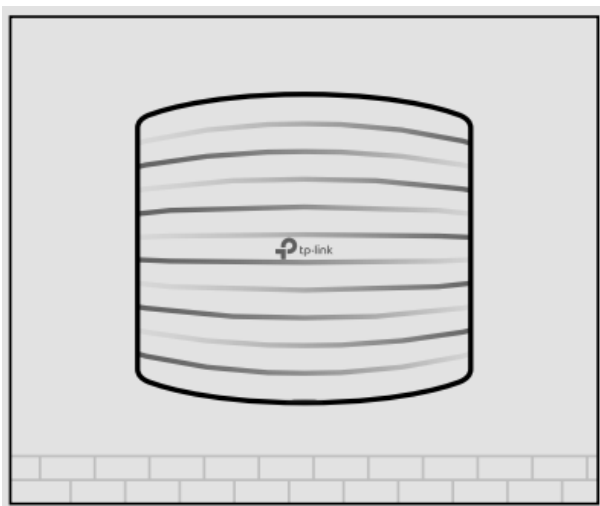
* Some models do not provide a POWER port and power adapter. For details, refer to the product specifications or datasheet.

Hardware Installation

The AP can be ceiling-mounted or wall-mounted. Choose a mounting method according to your needs. Follow the steps below for the appropriate installation.



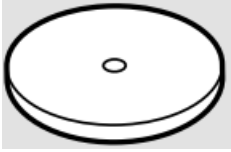
Option 1: Ceiling Mounting



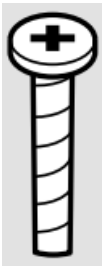
Option 2: Wall Mounting

Option 1: Ceiling Mounting

Note: Make sure that the ceiling tile is bigger than the AP.



Washers

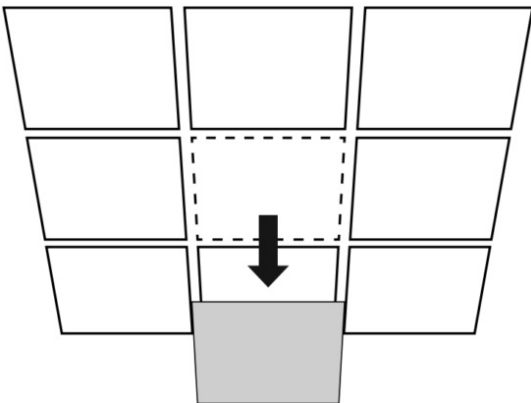


Pan-head Screws



Wing Nuts

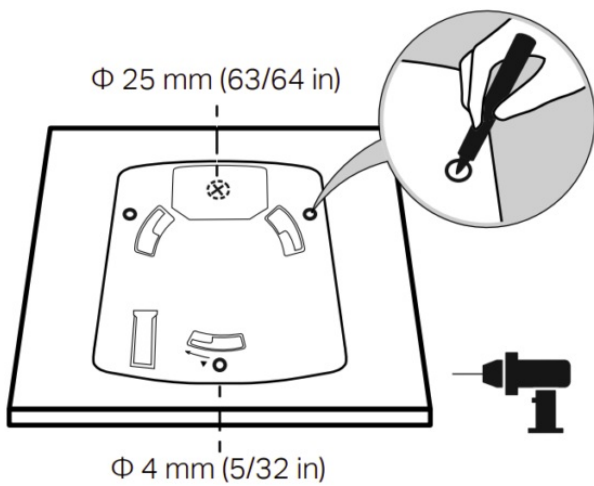
1. Remove the ceiling tile.



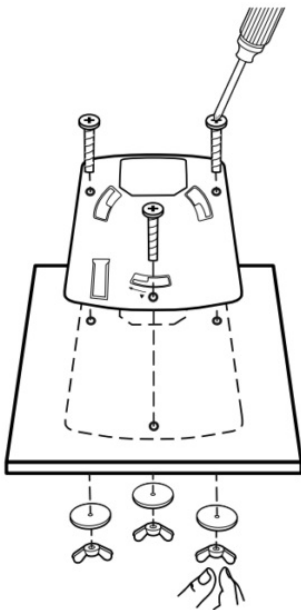
2. Place the mounting bracket in the center of the ceiling tile.

Mark positions for the screw holes and a position for the Ethernet cable hole.

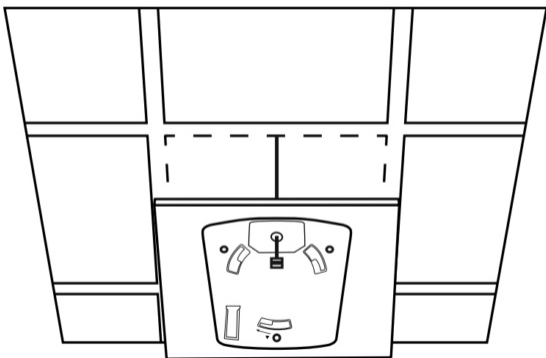
Drill holes for the screws and a hole for the Ethernet cable at the marked positions.



- Secure the mounting bracket to the ceiling tile using pan-head screws, washers and wing nuts, as shown on the left.



- Feed the Ethernet cable through the hole and set the ceiling tile back into place.



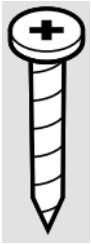
- Connect the Ethernet cable to the ETHERNET / ETH1 (PoE) port. Attach the AP to the mounting bracket by aligning the arrow mark on the AP with the arrow mark ▲ on the mounting bracket, then rotate the AP until it locks into place, as shown on the left.

Option 2: Wall Mounting

Note: For security reasons, it is not recommended to install the AP with the louver downward.

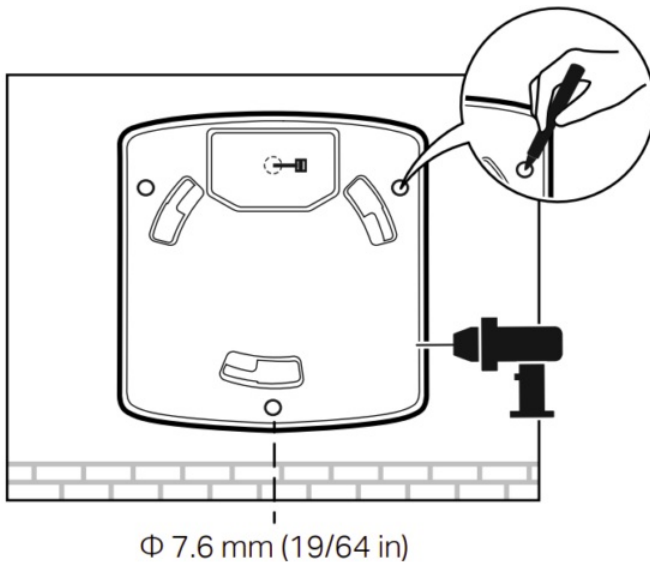


Plastic Wall Anchors

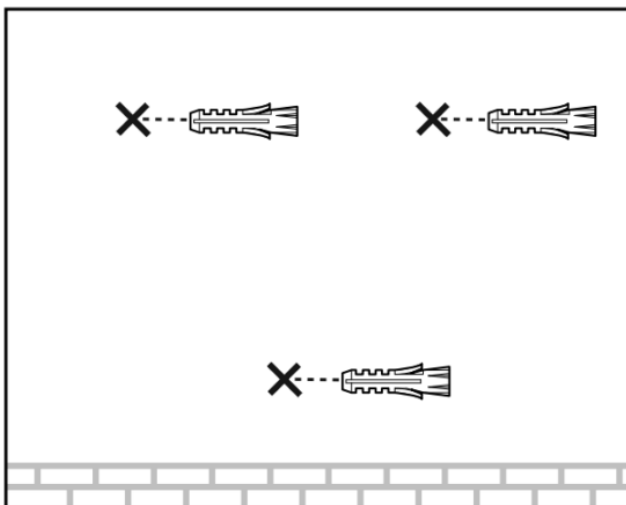


Self-tapping Screws

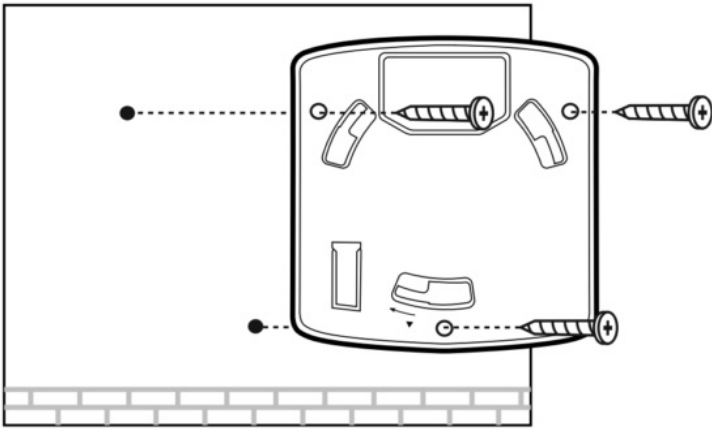
1. If your Ethernet cable feeds through the wall, you can position the mounting bracket to make the cable through the fixing hole. Mark positions for the screw holes and drill holes at the marked positions.



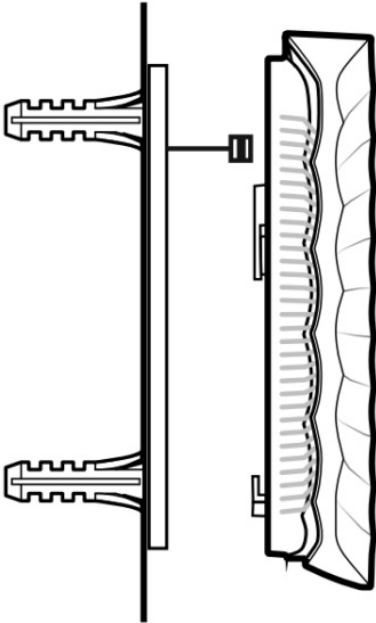
2. Insert the plastic wall anchors into the holes.



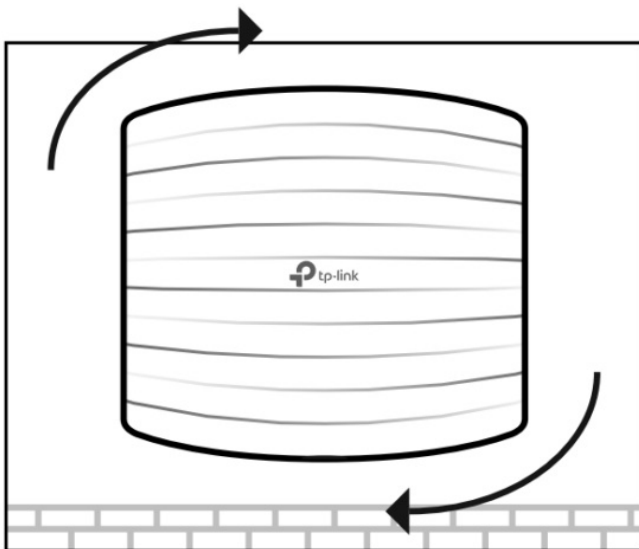
3. Secure the mounting bracket to the wall by driving the self-tapping screws into the anchors. Make sure that the shoulders of the mounting bracket are on the outside.



4. Connect the Ethernet cable to the ETHERNET / ETH1 (PoE) port on the AP

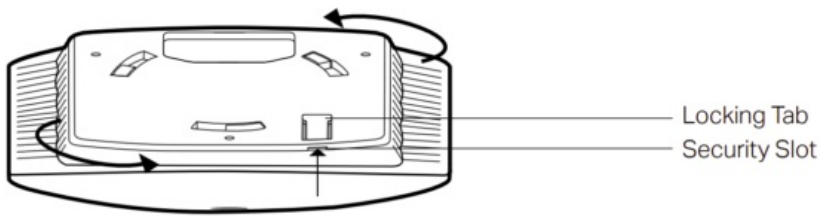


5. Attach the AP to the mounting bracket by aligning the arrow mark on the AP with the arrow mark on the mounting bracket, then rotate the AP until it locks into place, as shown on the left.



Tip:

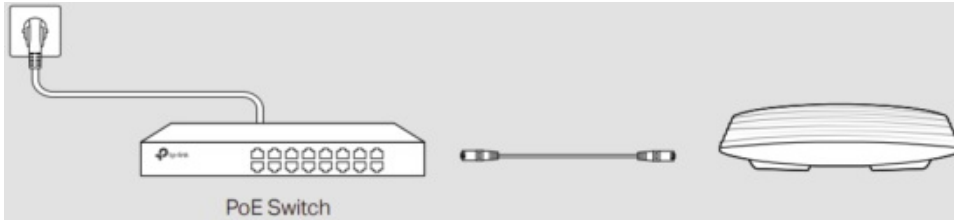
To remove the AP from the mounting bracket, insert a paper clip in the Security Slot to release the Locking Tab and rotate the AP until it is detached from the mounting bracket, as shown below.



Power Supply

The AP can be powered via a power adapter, a PoE adapter, or a PSE device (such as a PoE switch) which complies with Power Source Class 2 (PS2) or Limited Power Source (LPS) of IEC 62368-1.

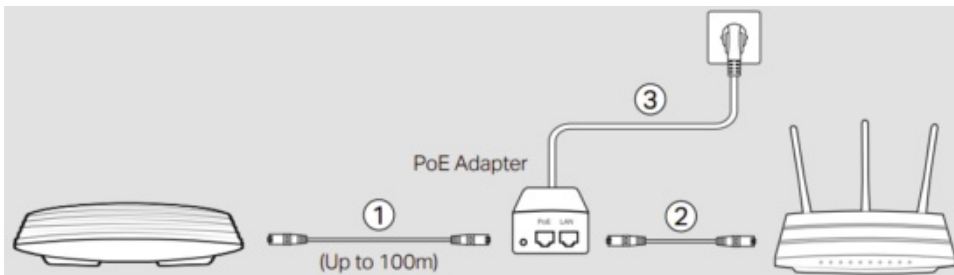
Option 1: Via PoE Switch



Connect an Ethernet cable from the PoE switch to the ETHERNET / ETH1 (PoE) port.

Option 2: Via PoE Adapter

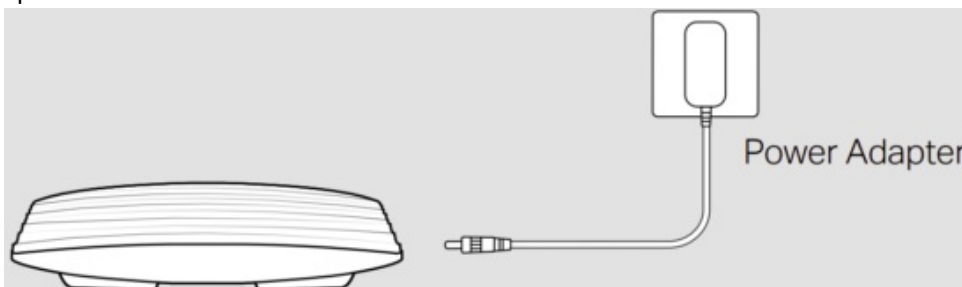
Note: Some models do not support passive PoE power supply. For details, refer to the product specifications or datasheet.



1. Connect the Ethernet cable from the ETHERNET / ETH1 (PoE) port of the AP device to the PoE adapter's PoE port.
2. Connect an Ethernet cable from your LAN to the PoE adapter's LAN port.
3. Connect the power cord to the adapter's power socket. Connect the other end of the power cord to a standard electrical wall outlet

Option 3: Via Power Adapter

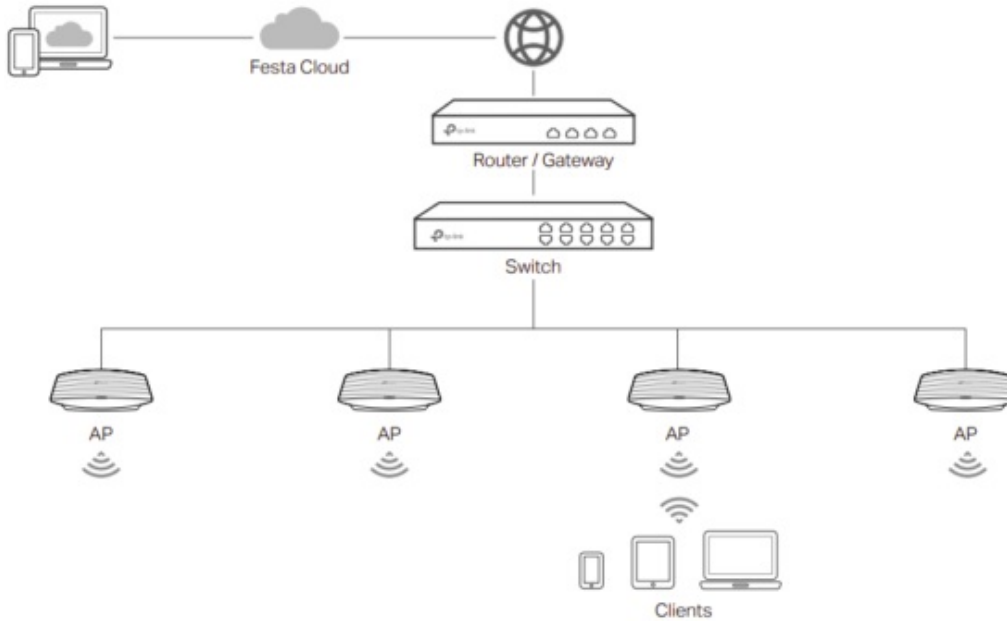
Note: Some models do not provide a POWER port and power adapter. For details, refer to the product specifications or datasheet.



Plug one end of the provided power adapter to the POWER port of the AP and the other end to a standard electrical wall outlet.

Software Configuration

You can easily configure and manage Festa APs via the Festa Cloud-Based Controller.



Option 1: Via Web Browser

1. Make sure that your management device can access the internet.
2. Launch a web browser and enter <https://festa.tplinkcloud.com> in the address bar. Log in with your TP-Link ID.
<https://festa.tplinkcloud.com>
3. Click + Add Controller, then you will see you have successfully registered for a Cloud-Based Controller and the controller has been added to the controller list.
4. Click Set Up Now, click Config New Setup and follow the step-by-step instructions to complete the configuration wizard of the controller.
5. On the controller's management page, go to Devices, click + Add Devices and follow the step-by-step instructions to adopt Festa devices.

Now you can configure and manage Festa devices on the controller.

Option 2: Via Festa App

1. Download and install the Festa App from App Store or Google Play.





Scan for Festa App



Festa App

2. Launch the Festa App and log in with your TP-Link ID.
3. Tap + on the upper right corner, then you will see you have successfully registered for a Cloud-Based Controller and the controller has been added to the controller list.
4. Tap Confirm, tap Let's Get Started and follow the step-by-step instructions to complete the configuration wizard of the controller.
5. On the controller's management page, go to **Devices**, click + on the upper right corner, and follow the step-by-step instructions to adopt Festa devices.

Now you can configure and manage Festa devices via the Festa App



Safety Information

- Keep the device away from water, fire, humidity or hot environments.
- Do not attempt to disassemble, repair, or modify the device. If you need service, please contact us.
- Do not use the device where wireless devices are not allowed.
- Do not use damaged charger or USB cable to charge the device.
- Do not use any other chargers than those recommended.
- Adapter shall be installed near the equipment and shall be easily accessible.

EU declaration of conformity

TP-Link hereby declares that the device is in compliance with the essential requirements and other relevant provisions of directives 2014/53/EU, 2009/125/EC, 2011 /65/EU and (EU) 2015/863.

The original EU Declaration of Conformity may be found at <https://www.tp-link.com/en/support/ce/>

UK declaration of conformity

TP-Link hereby declares that the device is in compliance with the essential requirements and other relevant provisions of the Radio Equipment Regulations 2017.

The original UK Declaration of Conformity may be found at <https://www.tp-link.com/support/ukca/>

For detailed configurations, refer to the User Guide of the controller. The guide can be found on the download center of our official website:

<https://www.tp-link.com/support/download/?type=smb>



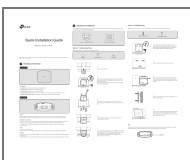
To ask questions, find answers, and communicate with TP-Link users or engineers, please visit <https://community.tp-link.com/business> to join TP-Link Community.



For technical support, the user guide and other information, please visit <https://www.tp-link.com/support/?type=smb>, or simply scan the QR code.



Documents / Resources



[tp-link F52, F54 Wireless Access Point](#) [pdf] Installation Guide
F52, F54, F52 F54 Wireless Access Point, F52 F54, Wireless Access Point, Access Point, Point

References

- [User Manual](#)

[Manuals+](#), [Privacy Policy](#)

This website is an independent publication and is neither affiliated with nor endorsed by any of the trademark owners. The "Bluetooth®" word mark and logos are registered trademarks owned by Bluetooth SIG, Inc. The "Wi-Fi®" word mark and logos are registered trademarks owned by the Wi-Fi Alliance. Any use of these marks on this website does not imply any affiliation with or endorsement.