

THULE Allax Car Dog Crate



THULE Allax Car Dog Crate Instructions

[Home](#) » [THULE](#) » THULE Allax Car Dog Crate Instructions 

Contents

- [1 THULE Allax Car Dog Crate](#)
- [2 What In The box](#)
- [3 Product Sizes Information](#)
- [4 Precautions](#)
- [5 Introduction](#)
- [6 Maintenance](#)
- [7 Safety Instructions](#)
- [8 Installation Instructions](#)
- [9 Before each trip](#)
- [10 Accessory](#)
- [11 Contact](#)
- [12 Documents / Resources](#)
 - [12.1 References](#)
- [13 Related Posts](#)



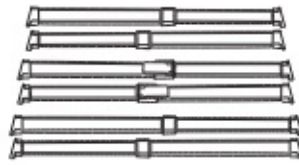
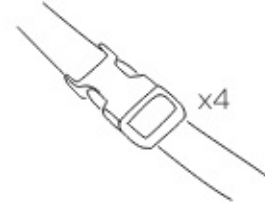
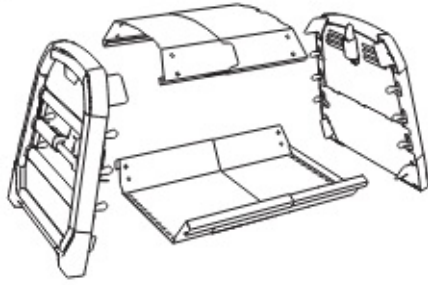
THULE Allax Car Dog Crate



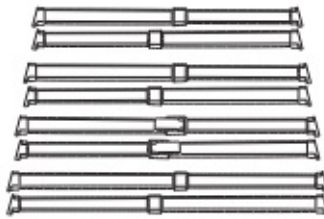
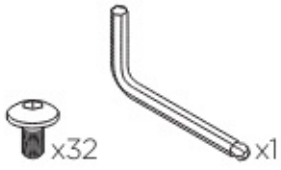
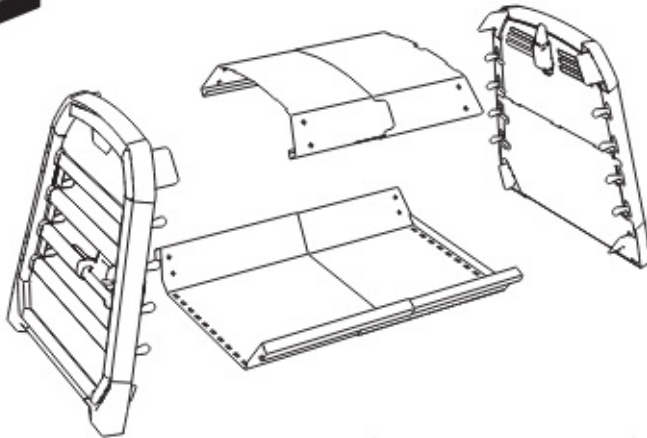
What In The box

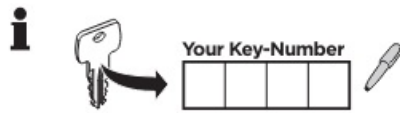


XS



S





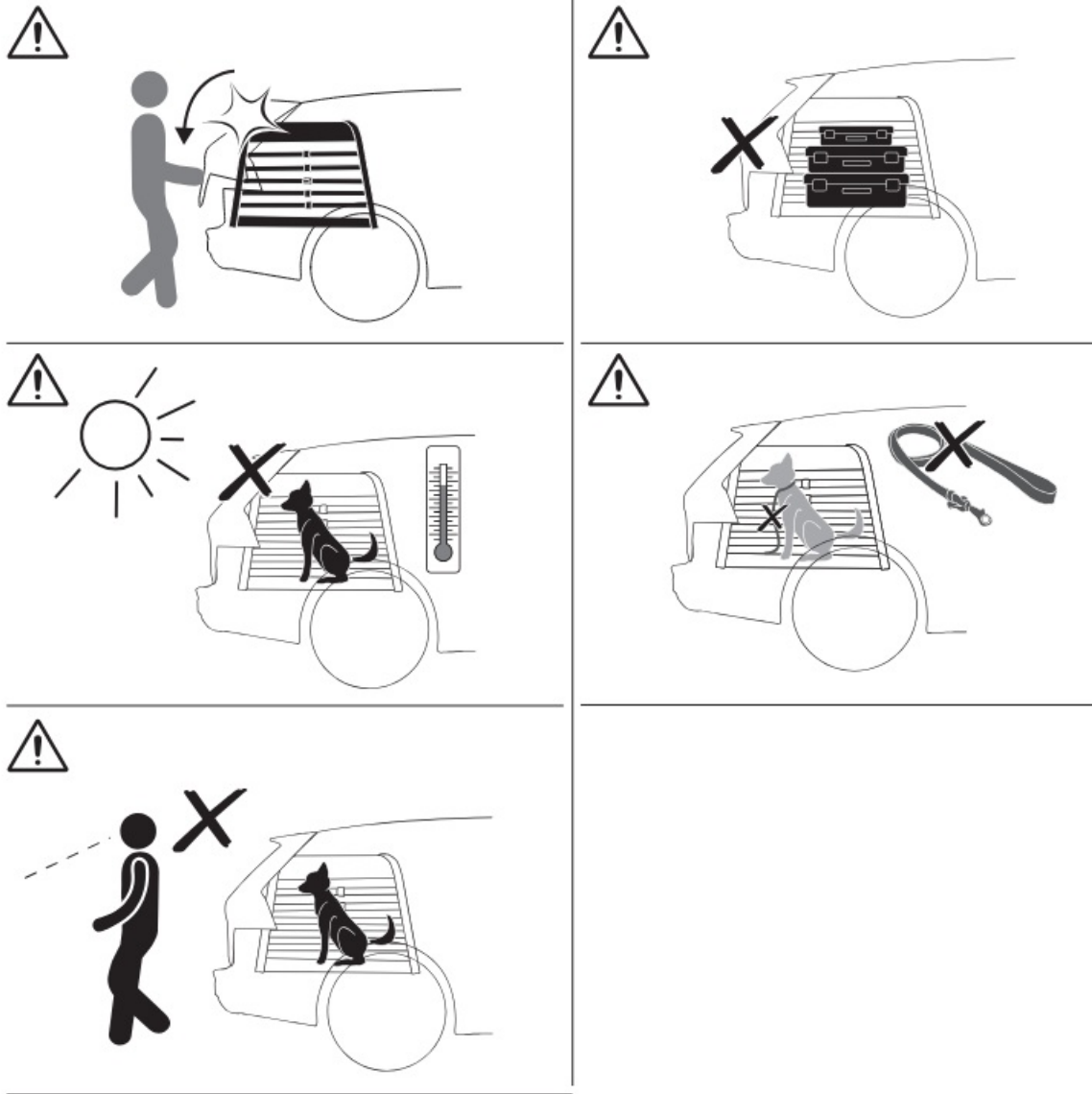
Product Sizes Information



XS 770000	50 cm 19.7 "	50 cm 19.7 "	66 – 72 cm 26 – 28.3 "	14,6 kg 33.2 lbs	25 kg 55 lbs
S 770001	58 cm 22.8 "	55 cm 21.7 "	72 – 80 cm 28.3 – 31,5 "	17,5 kg 38.6 lbs	30 kg 66 lbs

M Compact 770009	65 cm 25.6 "	65 cm 25.6 "	77 – 82 cm 30.3 – 32.3 "	20,7 kg 45.6 lbs	35 kg 77 lbs
M 770002	65 cm 25.6 "	65 cm 25.6 "	82 – 90 cm 32.3 – 35.4 "	22 kg 48.5 lbs	35 kg 77 lbs
L Compact 770003	69 cm 27.2 "	70 cm 27.6 "	87 – 93 cm 34.3 – 36.6 "	23,5 kg 51.8 lbs	45 kg 100 lbs
L 770004	69 cm 27.2 "	70 cm 27.6 "	93 – 105 cm 36.6 – 41.3 "	25,7 kg 56.7 lbs	45 kg 100 lbs
XL Compact 770005	73 cm 28.7 "	70 cm 27.6 "	89 – 94 cm 35 – 37 "	24,6 kg 54.2 lbs	45 kg 100 lbs
XL 770006	73 cm 28.7 "	70 cm 27.6 "	94 – 105 cm 37 – 41.3 "	25,8 kg 56.9 lbs	45 kg 100 lbs
XXL Compact 770007	78 cm 30.7 "	75 cm 29.5 "	95 – 103 cm 37.4 – 40.6 "	27,8 kg 61.3 lbs	55 kg 120 lbs
XXL 770008	78 cm 30.7 "	75 cm 29.5 "	103 – 120 cm 43.6 – 47.2 "	28,7 kg 63,2 lbs	55 kg 120 lbs

Precautions



Introduction

Congratulations

- And thank you for choosing Thule Allax! You can rest assured that we have put all our efforts, knowledge and passion into designing the safest, reliable and easy to use dog crate for cars, we could think of.
- Before you begin, please read the following instructions carefully and keep them for future reference.
- Check with the assembly instructions that all the necessary parts are present before you begin assembly.
- See www.thule.com for car compatibility.

Visual language

i **WARNING** indicates a hazardous situation which, if not avoided, could result in death or serious injury.
NOTE indicates additional information that is useful for trouble-free and optimal use of the product.

- ✓ Visual check ok
- ✗ Visual check wrong



Audible click

Maintenance

- Use only lukewarm soapy water to clean the product.

Other

- The manufacturer can not be held responsible for personal damages of property or loss of fortune caused by incorrect mounting or use of the product.

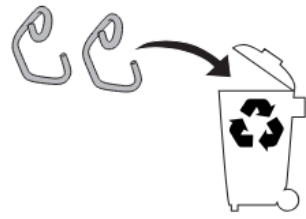
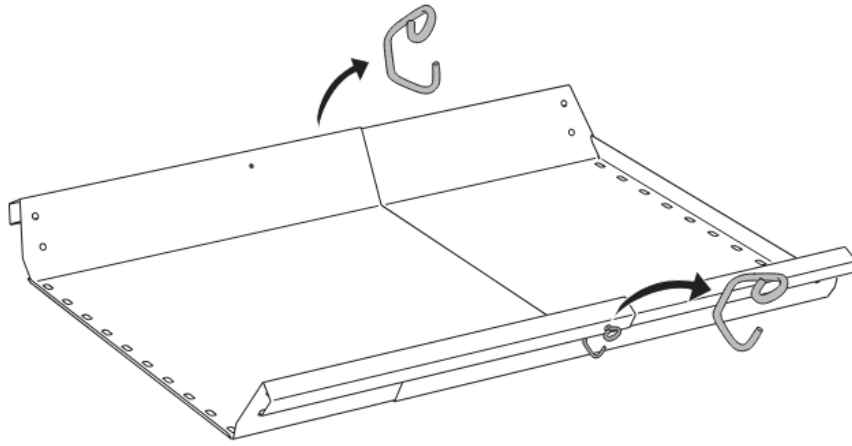
Safety Instructions

WARNING

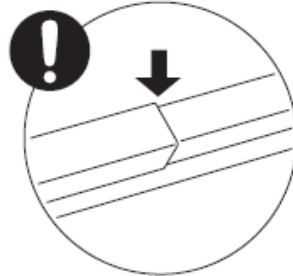
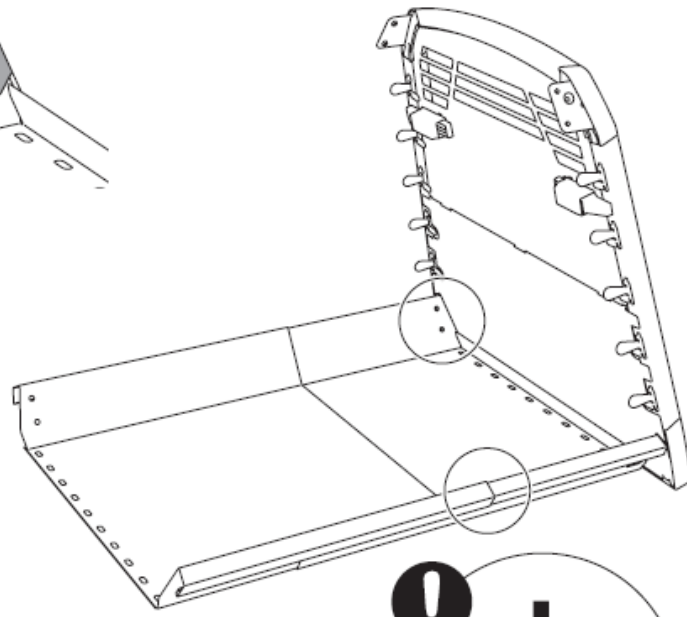
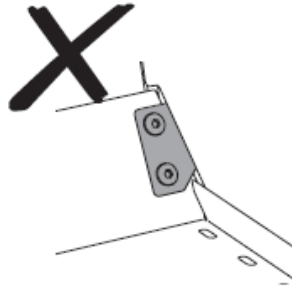
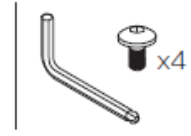
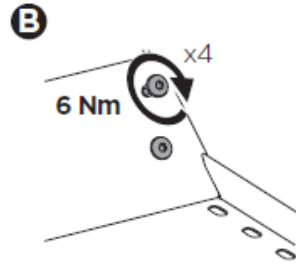
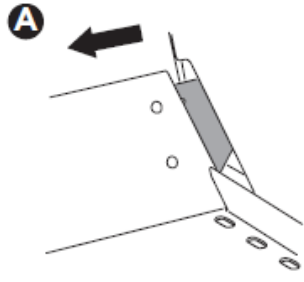
- Do not modify the product in any way.
- Do not use the product if any part of it is broken.
- Check and replace worn-out or defective parts.
- Only use accessories that are compatible with the product. See thule.com.
- Check the conflict between trunk lid window and crate before closing the trunk lid.
- The restraint system must be used only to restrain Thule Allax in the trunk of the car. Do not use the restraint system to mount Thule Allax in the front passenger seat, back passenger seat, or anywhere else.
- The restraint system must be used only to secure Thule Allax. Do not use the restraint system to secure any other objects.
- When the product is removed from the vehicle, all loose parts should be stored safely.
- Check that the dog transport is attached to the vehicle's cargo loops
- Tighten straps before each trip.
- The crate is only intended to carry a dog. Not tools, groceries etc...
- Don't have a leash attached while the dog is inside the crate.
- Always check the surface temperature of the product before use.
- Make sure to always have air circulation to the crate
- Do not place any loose objects inside the crate.
- Do not exceed the maximum load specified in the assembly instructions.
- Lock the product (door) when driving.
- The vehicle's speed must always be adjusted to the load being carried and the current driving conditions, such as the road type, road quality, wind conditions, traffic intensity and applicable speed limits. Applicable speed limits and other traffic regulations must always be observed.
- Drive slowly over speed bumps, maximum speed 10 km/h
- Consider laws and regulations in the country you intend to use the product.

Installation Instructions

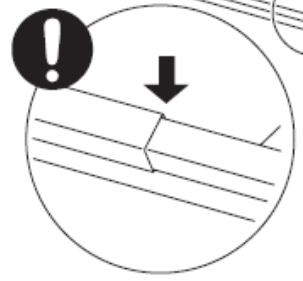
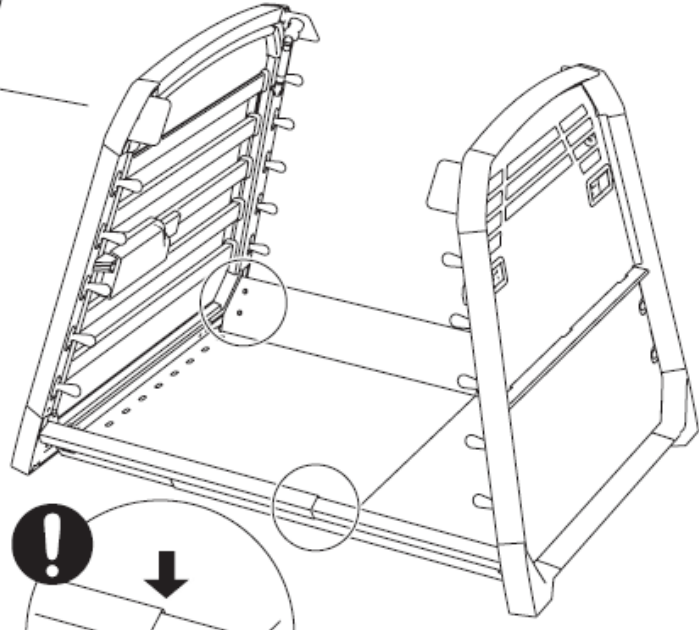
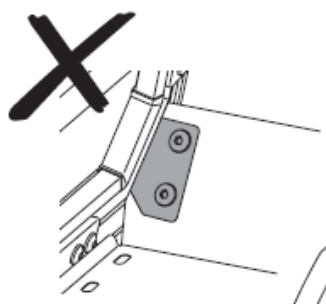
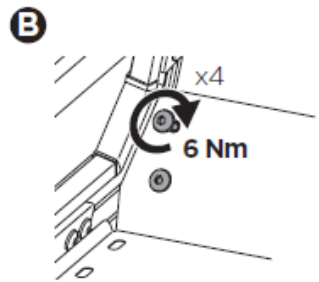
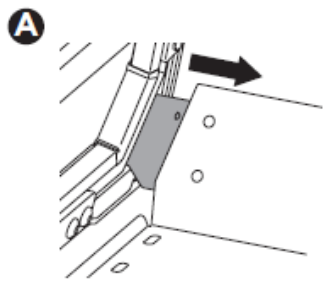
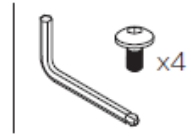
1



2

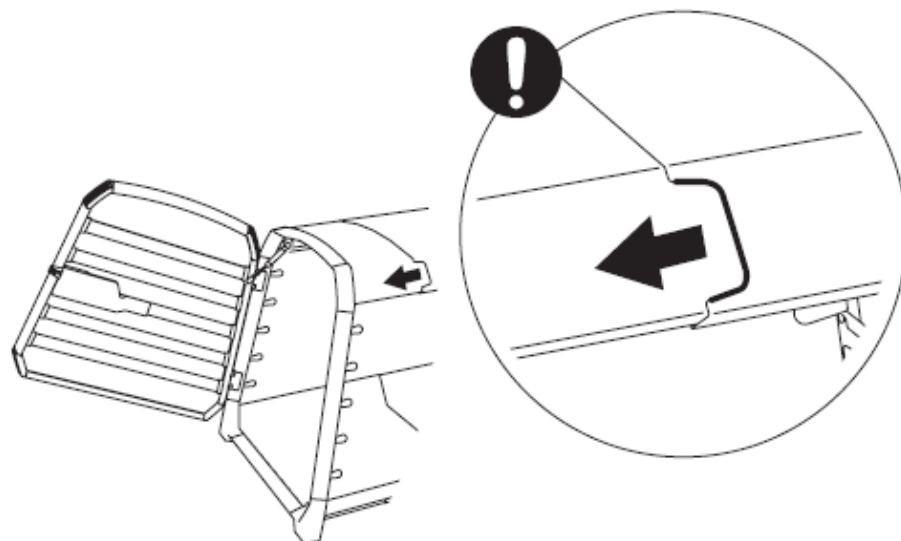
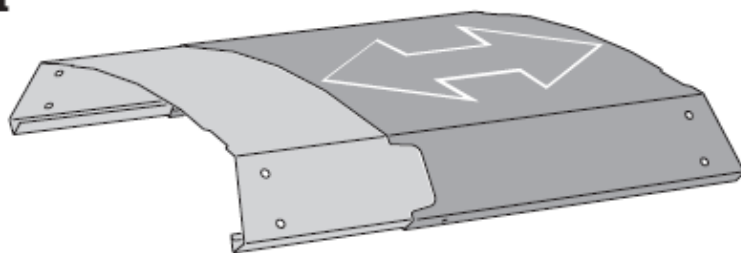


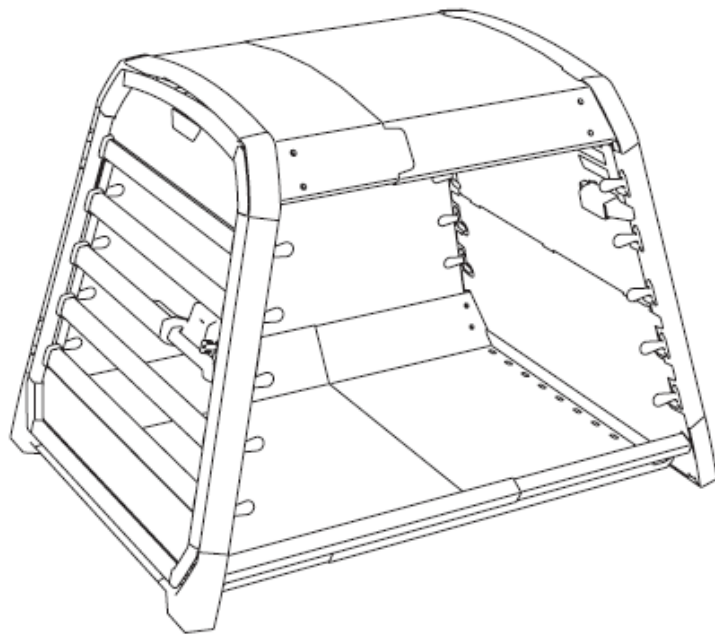
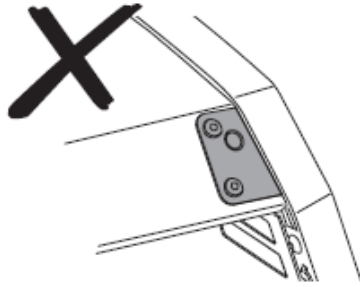
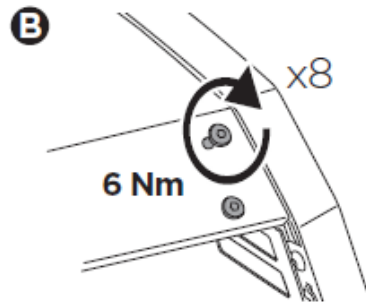
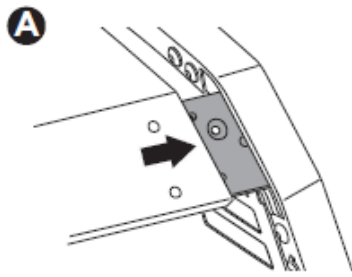
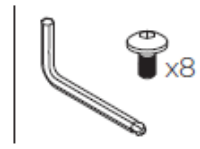
3



4

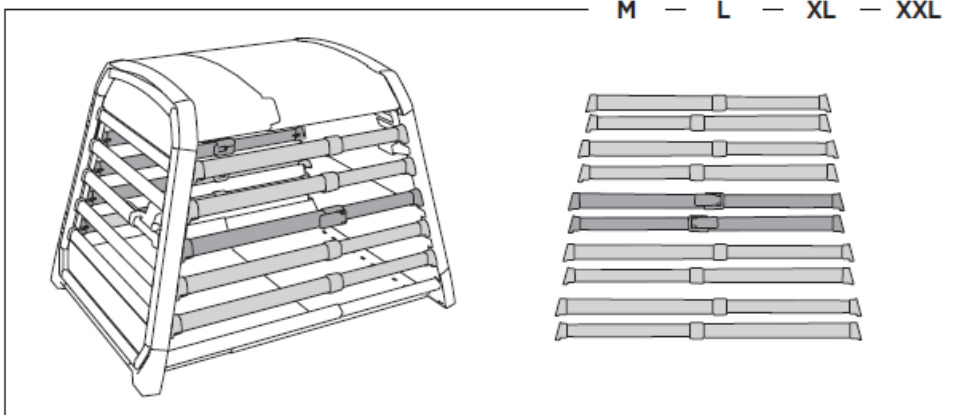
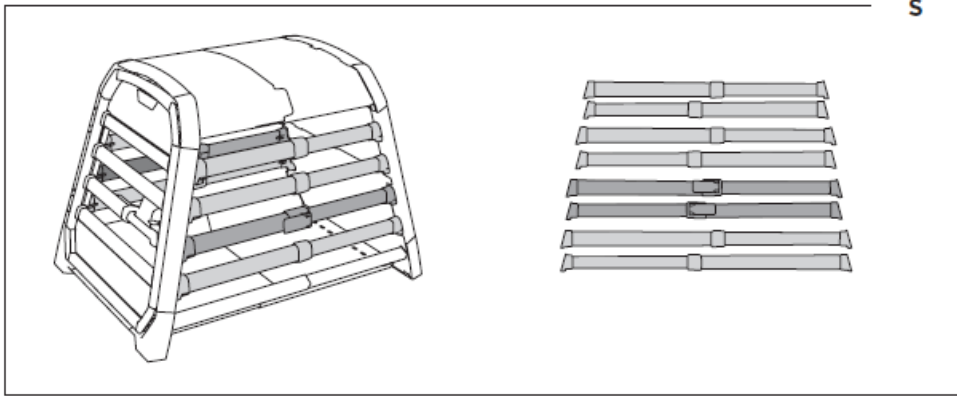
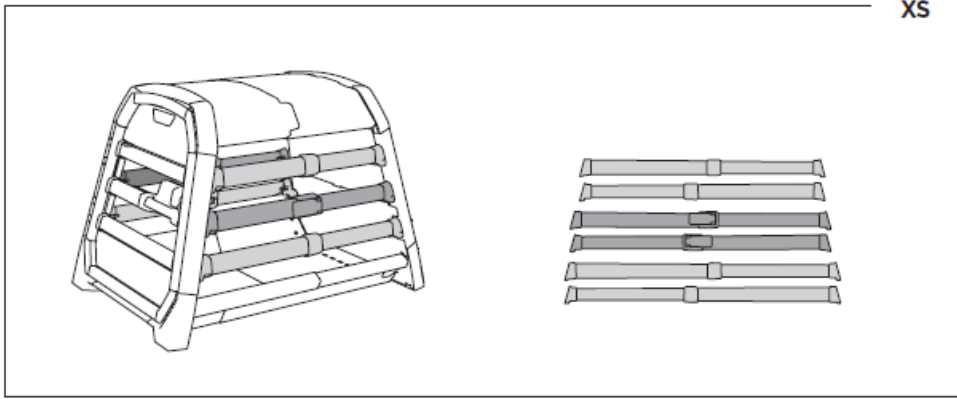
i



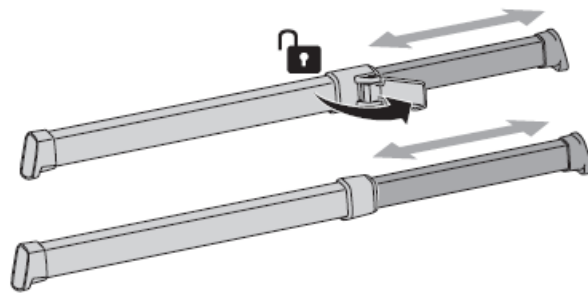


Attention

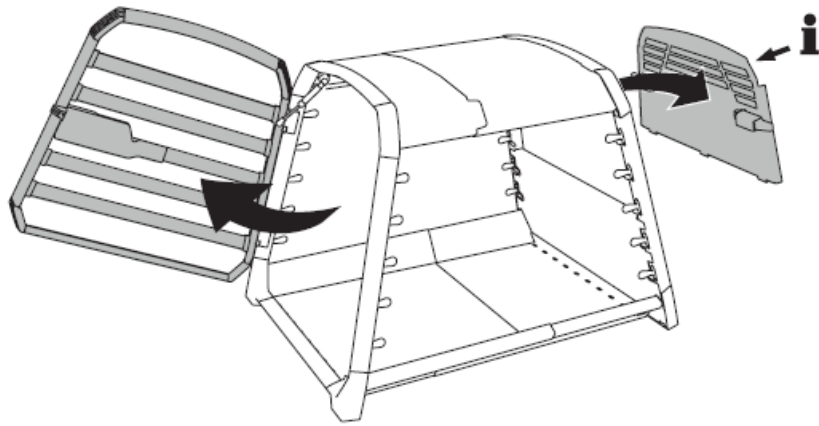
i



i



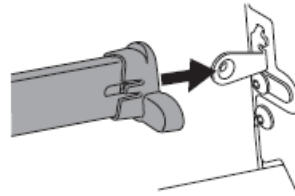
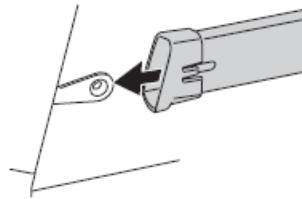
5



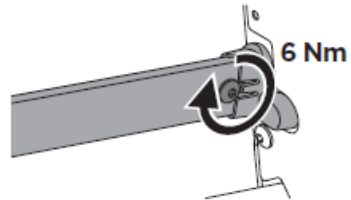
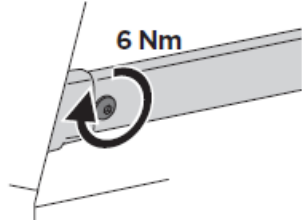
6



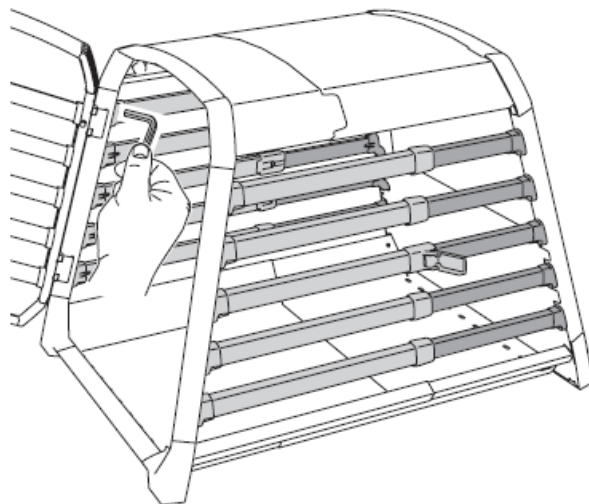
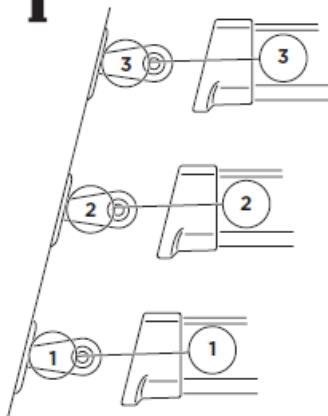
A



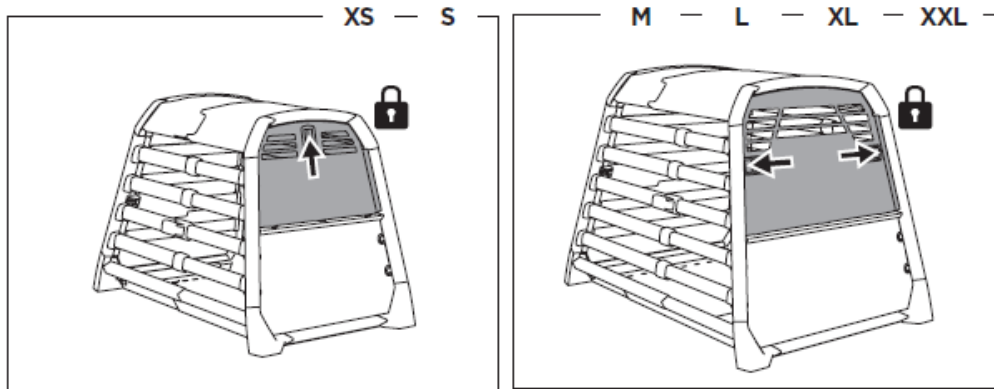
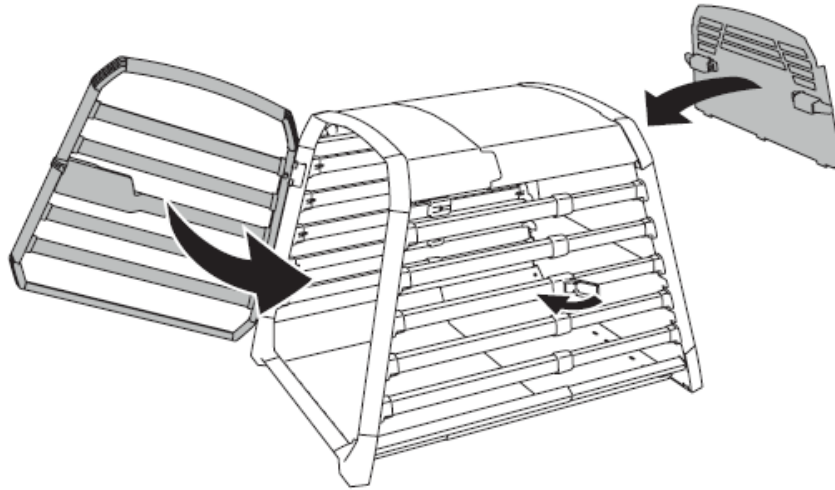
B

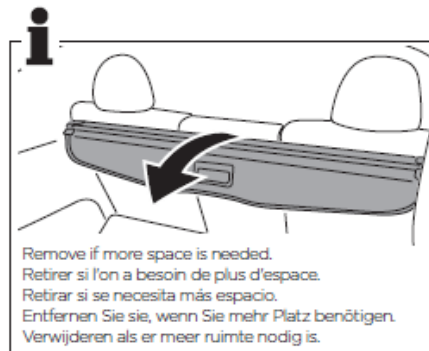
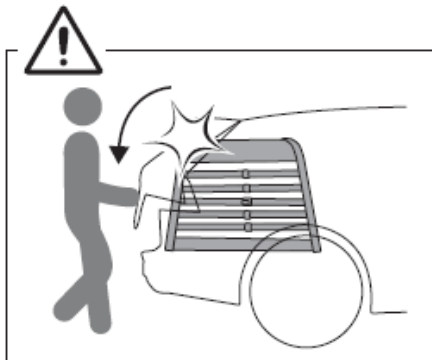
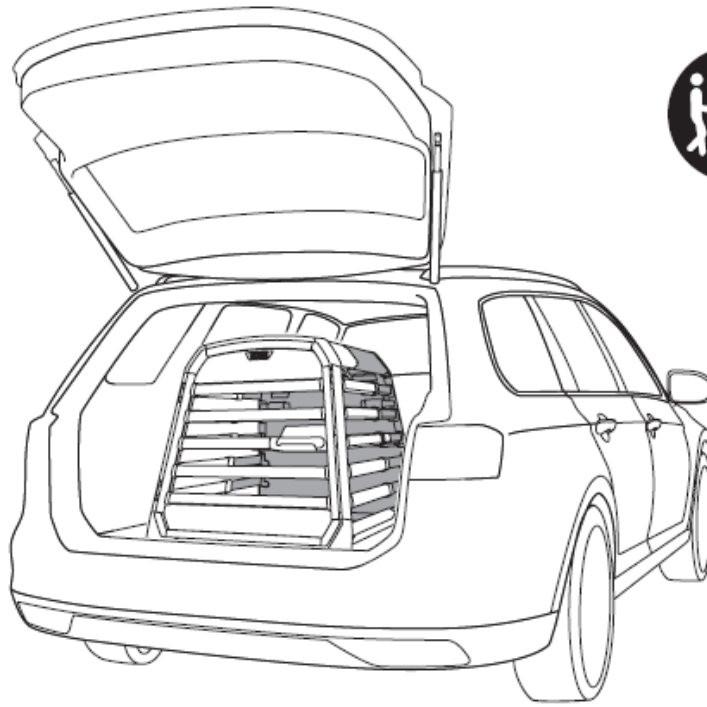


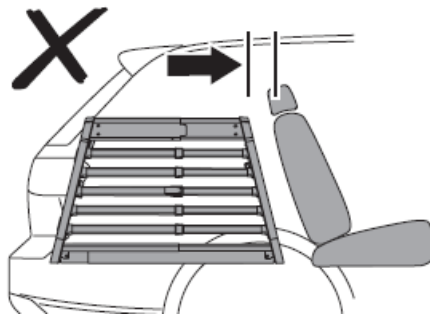
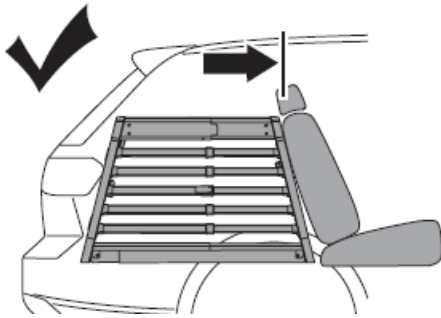
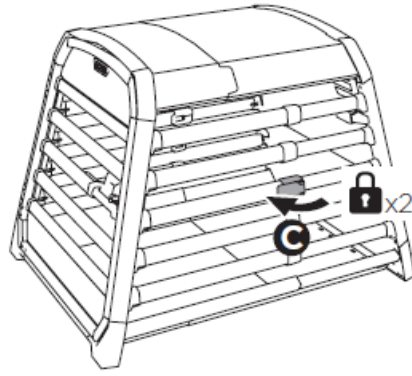
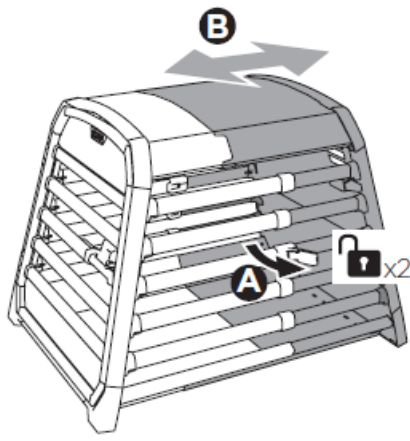
i



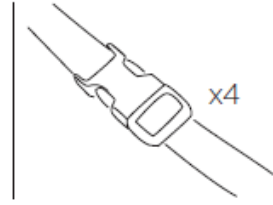
7



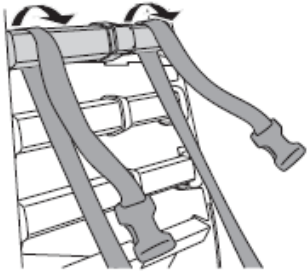




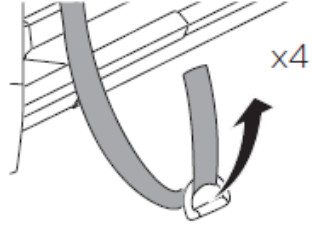
9



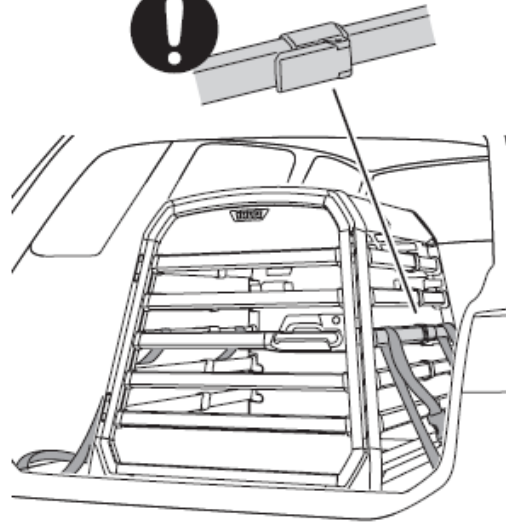
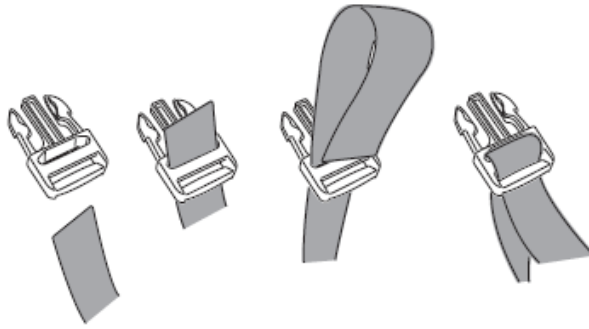
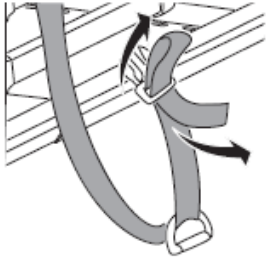
A

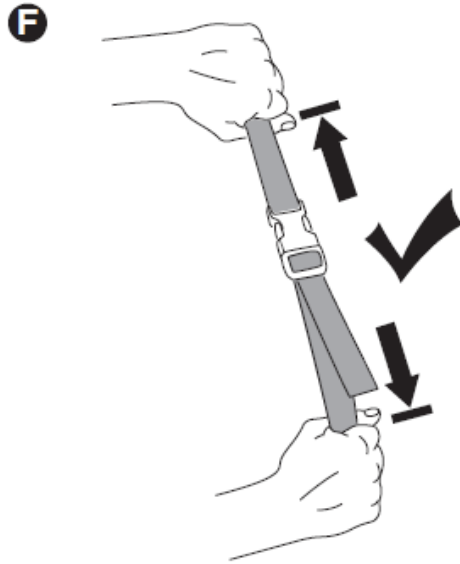
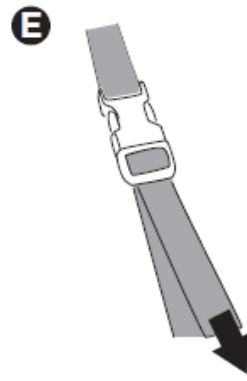


B

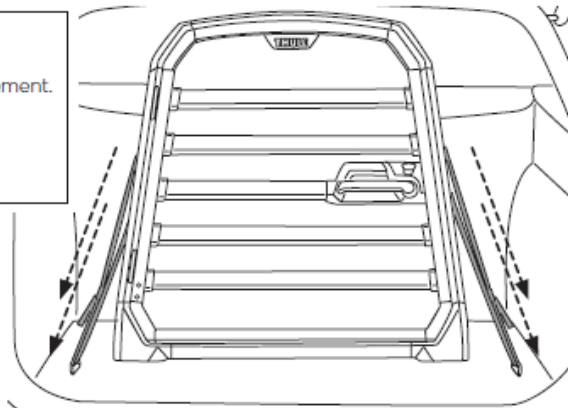


C





Tighten straps before each trip.
Serrez les lanières avant chaque déplacement.
Ajuste las correas antes de cada viaje.
Ziehe die Riemen vor jeder Fahrt fest.
Maak de riemen stevig vast voor elke rit.

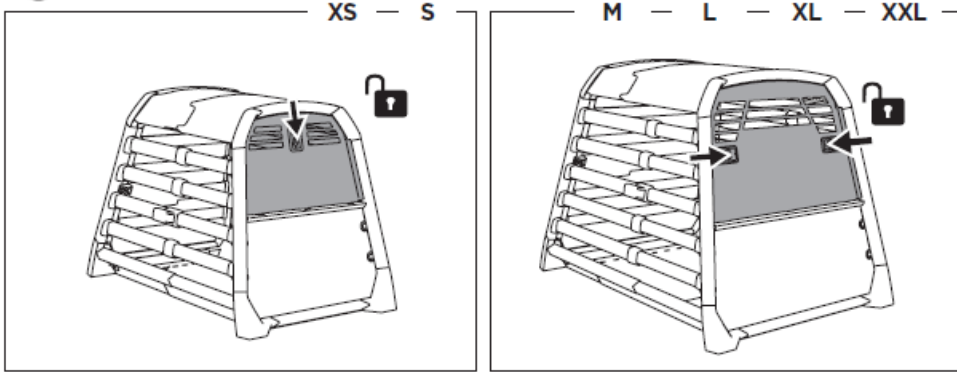


i

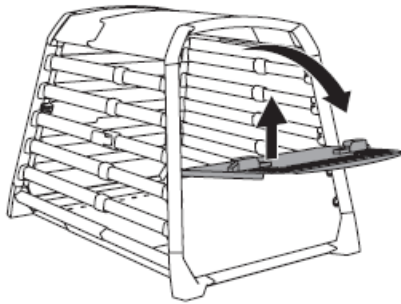
A



B



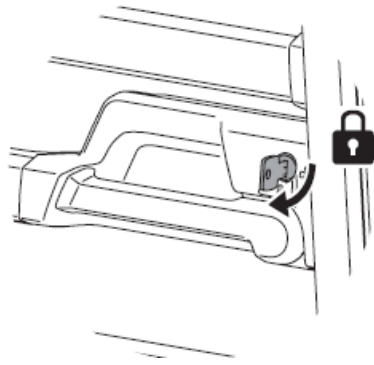
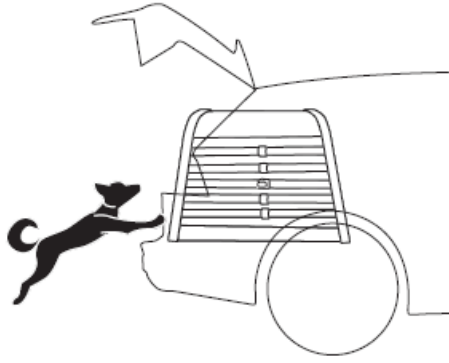
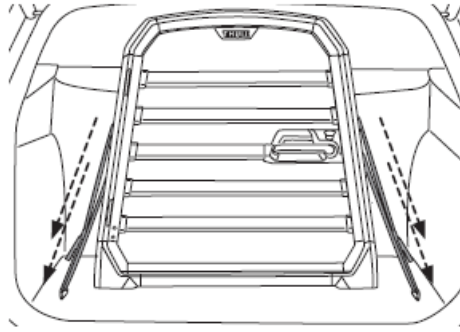
C



D

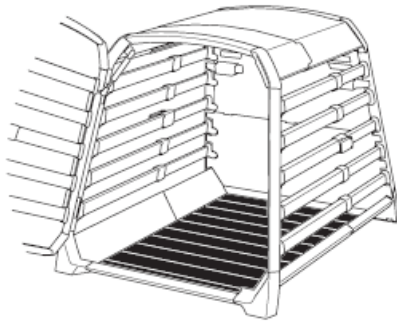


Before each trip

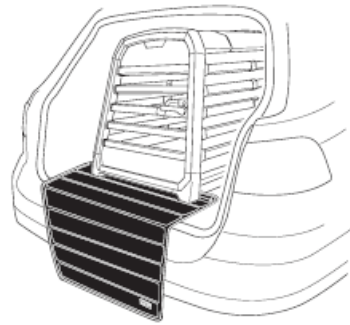


Accessory

Thule dog crate mat



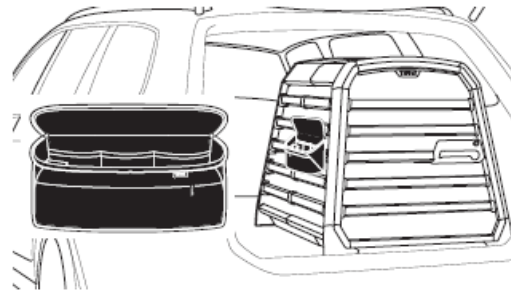
Thule dog crate bumper protector



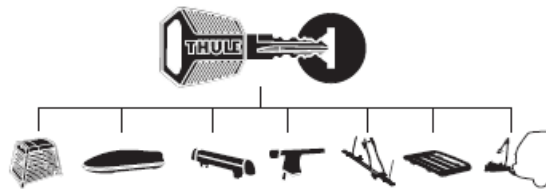
Thule dog crate leash hook



Thule dog crate storage bag



Thule One-Key System



- 450400  x4
- 450600  x6
- 450800  x8
- 451200  x12
- 451600  x16

Spare parts



- [Thule.com](https://www.thule.com)

Contact

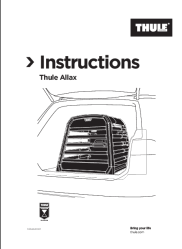
Thule Sweden AB

- Borggatan 5 335 73 Hillerstorp, Sweden
- info@thule.com

- www.thule.com
- Bring your life thule.com

© Thule Group April. 2024. All rights reserved.

Documents / Resources

	<p>THULE Allax Car Dog Crate [pdf] Instructions Allax, Allax Car Dog Crate, Car Dog Crate, Dog Crate, Crate</p>
---	---

References

- [User Manual](#)

[Manuals+](#), [Privacy Policy](#)

This website is an independent publication and is neither affiliated with nor endorsed by any of the trademark owners. The "Bluetooth®" word mark and logos are registered trademarks owned by Bluetooth SIG, Inc. The "Wi-Fi®" word mark and logos are registered trademarks owned by the Wi-Fi Alliance. Any use of these marks on this website does not imply any affiliation with or endorsement.