


THULE 1464045 Please check



1/30

THULE 1464045 Please check Instructions

[Home](#) » [THULE](#) » THULE 1464045 Please check Instructions 

Contents

- [1 THULE 1464045 Please check](#)
- [2 Specifications](#)
- [3 Step 1: Installation](#)
- [4 Step 2: Organizing Items](#)
- [5 Step 3: Maintenance](#)
- [6 Documents / Resources](#)
 - [6.1 References](#)
- [7 Related Posts](#)



THULE 1464045 Please check



Specifications

- Maximum Weight Capacity: 1.3 kg / 3 lbs
- Manufacturer: Thule Sweden AB
- Address: Borggatan 5, 335 73 Hillerstorp, Sweden
- Contact Email: info@thule.com
- Website: www.thule.com

Product Information

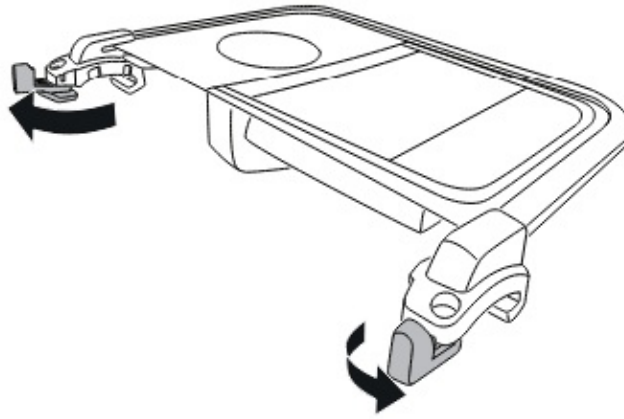
The Thule organizer is designed to help you keep your belongings organized and easily accessible. Please check the Thule website for compatible Thule products that work seamlessly with this organizer.

Step 1: Installation

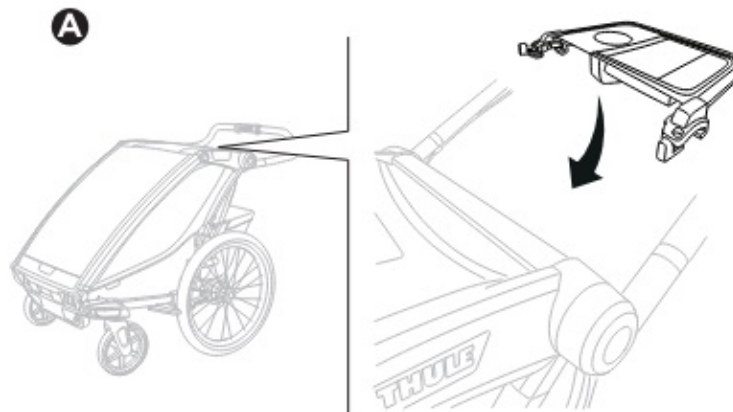
MAX
1.3 kg/3 lbs



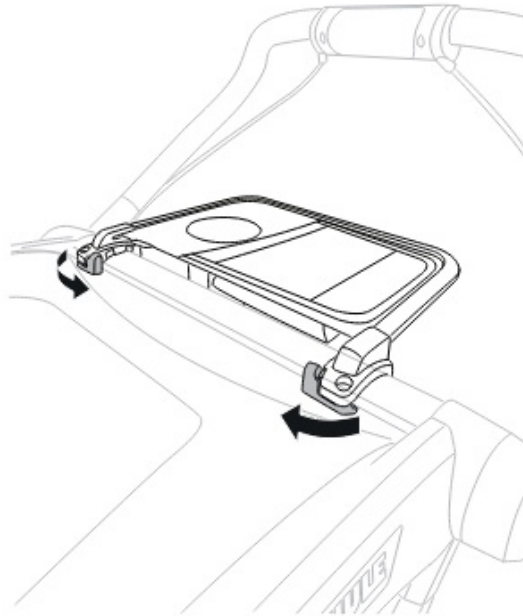
1



2



B

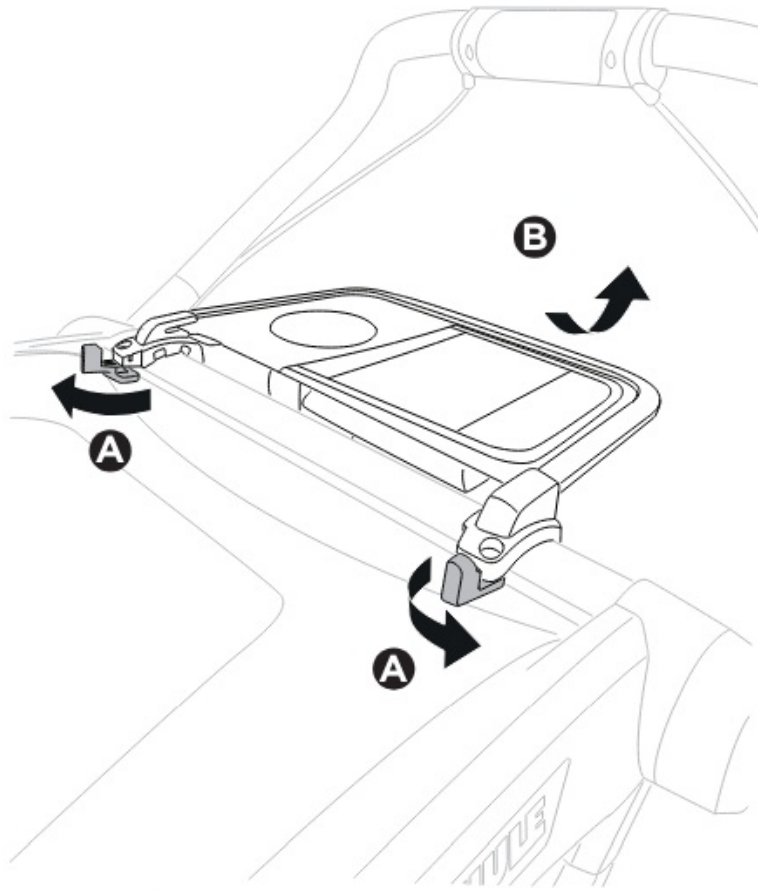
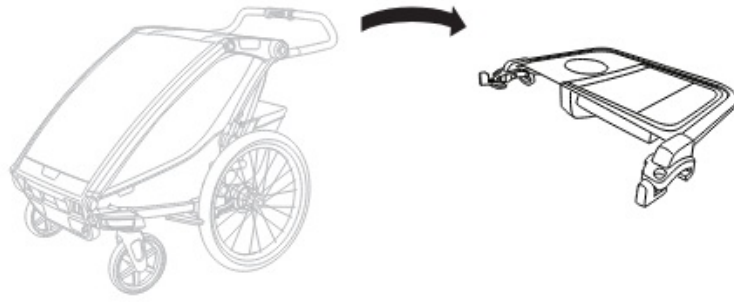


1. Identify a suitable location for mounting the Thule organizer.
2. Ensure the surface is clean and dry before installation.
3. Use the provided mounting hardware to securely attach the organizer in place.

Step 2: Organizing Items

1. Utilize the compartments and pockets of the organizer to store different items such as documents, gadgets, or personal belongings.

i



2. Arrange items in a way that makes them easily accessible when needed.

Step 3: Maintenance

1. Regularly check the organizer for any signs of wear or damage.
2. Clean the organizer with a damp cloth and mild detergent when necessary.

Please check www.thule.com for compatible Thule products.

WARNING

- Ensure that all the locking devices are engaged before use.
- Do not let the child play with this product.
- Do not use to carry children or pets.
- Never leave the child unattended.
- The child carrier will become unstable if the manufacturer's recommended load is exceeded.
- Before folding the chassis, make sure to remove any content from the organizer.
- Do not use in rough terrain.
- Do not use it to hold hot liquids or food items.

Thule Sweden AB

Borggatan 5

335 73 Hillerstorp, Sweden

info@thule.com

www.thule.com

Documents / Resources



[THULE 1464045 Please check](#) [pdf] Instructions
1464045 Please check, 1464045, Please check, check

References

- [Thule | United Kingdom](#)
- [User Manual](#)

[Manuals+](#), [Privacy Policy](#)

This website is an independent publication and is neither affiliated with nor endorsed by any of the trademark owners. The "Bluetooth®" word mark and logos are registered trademarks owned by Bluetooth SIG, Inc. The "Wi-Fi®" word mark and logos are registered trademarks owned by the Wi-Fi Alliance. Any use of these marks on this website does not imply any affiliation with or endorsement.