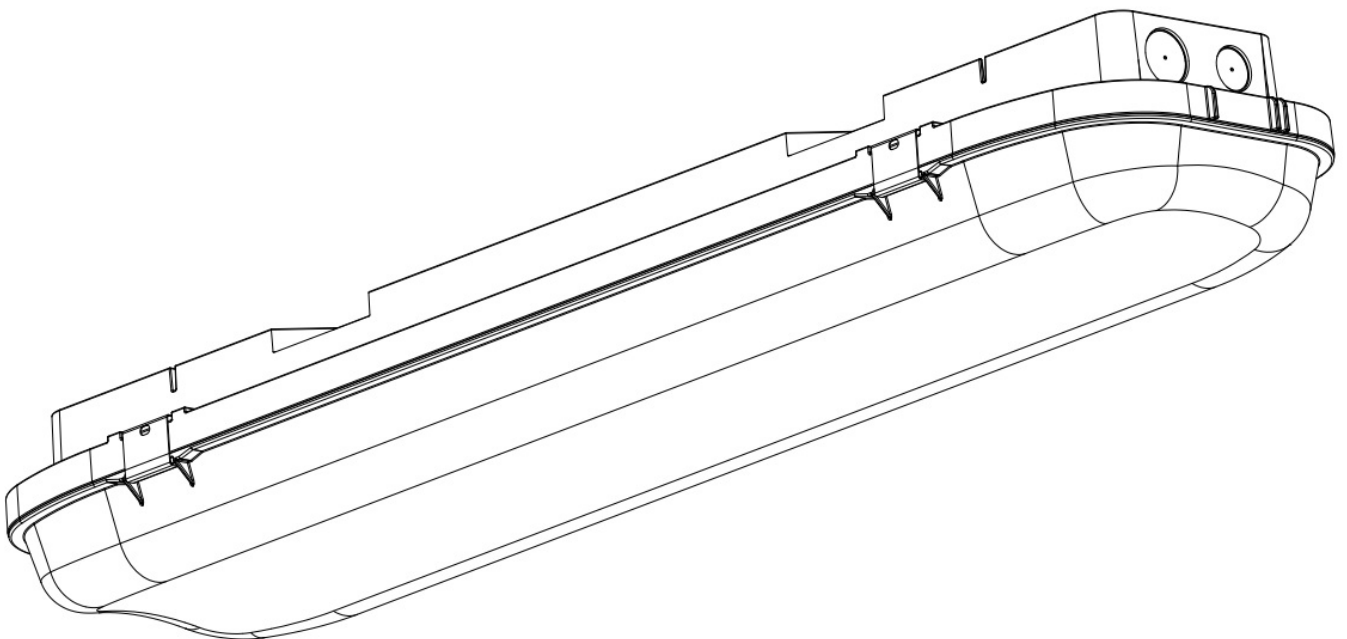




THORN HFI Force LED Owner's Manual

[Home](#) » [THORN](#) » THORN HFI Force LED Owner's Manual 

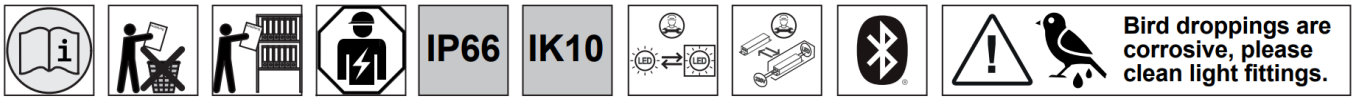
THORN HFI Force LED



Contents

- 1 Features
- 2 Mounting instructions
- 3 What is in the Box?
- 4 DIMENSIONS
- 5 IP66 IK10 MOUNTING OPTIONS (OVERVIEW)
- 6 OPTION SENSOR MWS
- 7 BC (Bluetooth® CASAMBI)
- 8 WIRING CONFIGURATIONS
- 9 Instructions for installation and operation!
- 10 Customer Support
- 11 Documents / Resources
 - 11.1 References

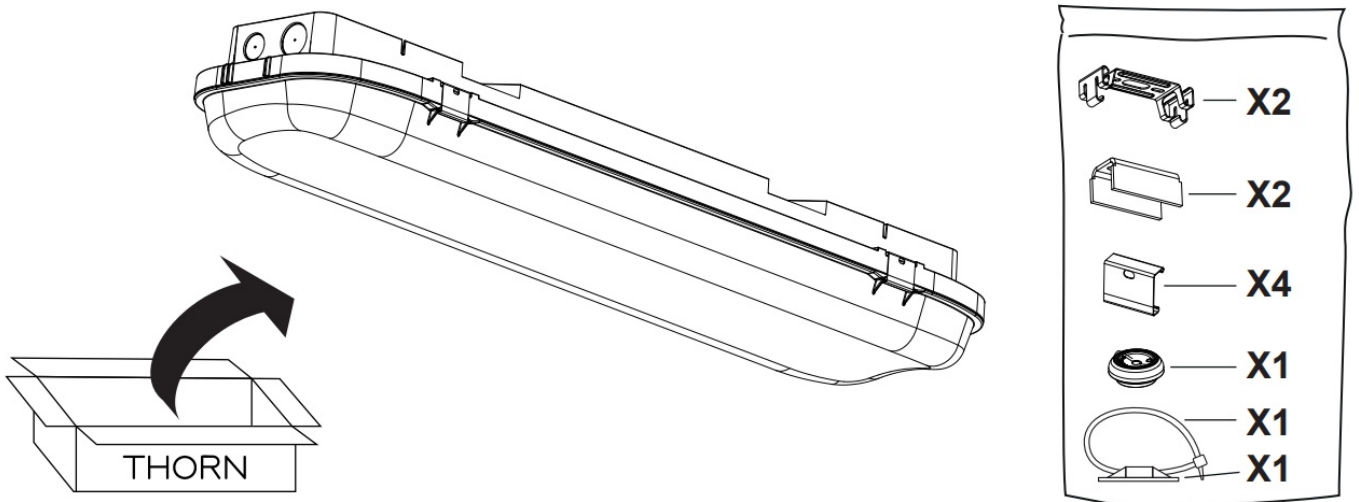
Features



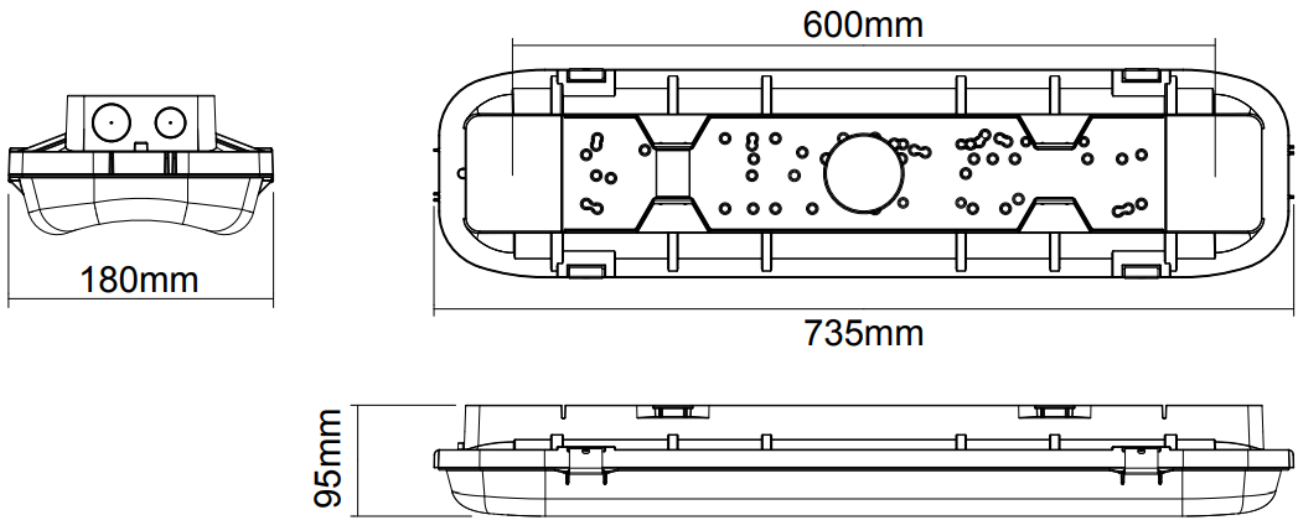
Mounting instructions

Important notices. Please, read first! Keep the instructions safe! Specifications are subject to change without notice! If you have questions, please contact the manufacturer.

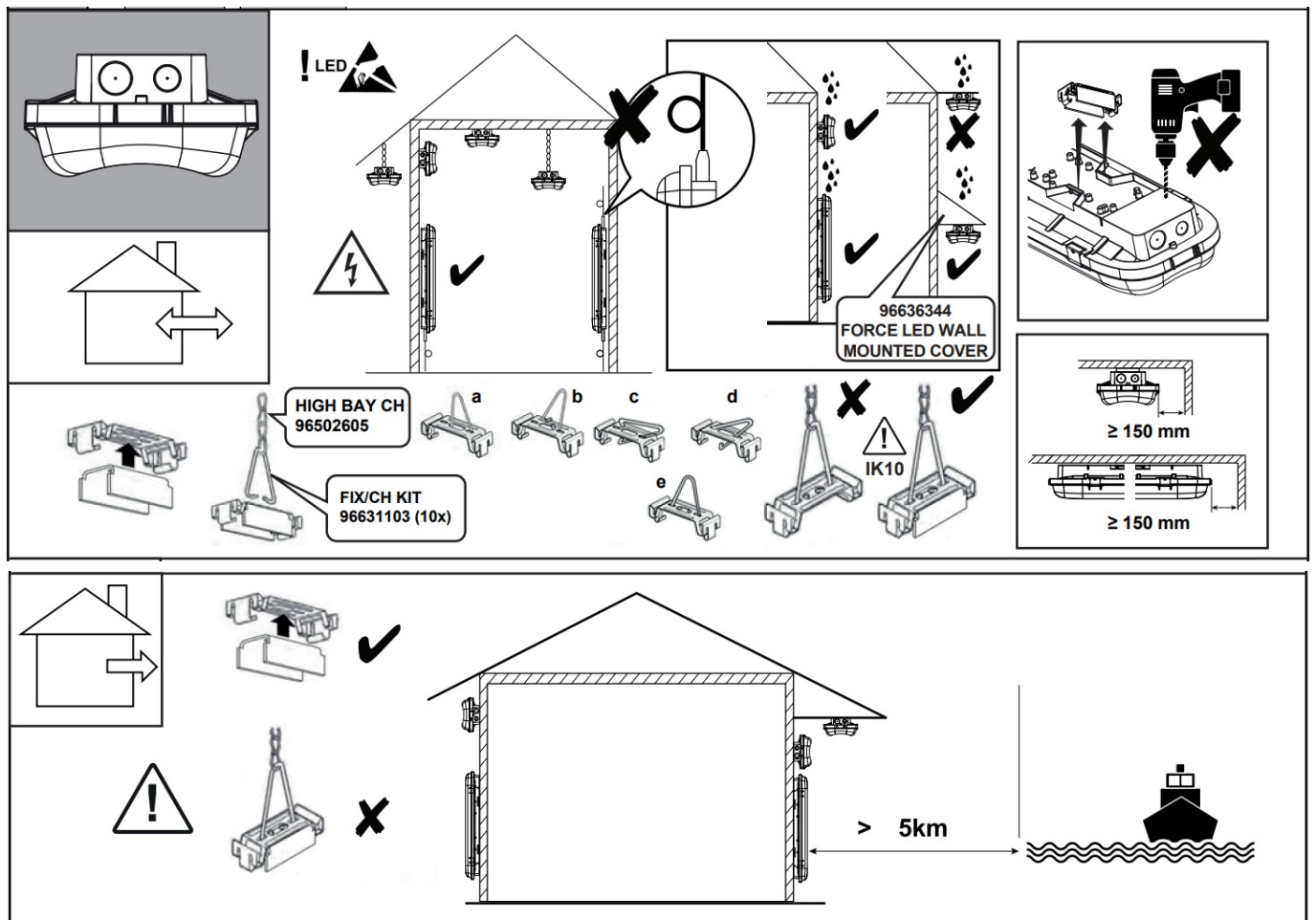
What is in the Box?

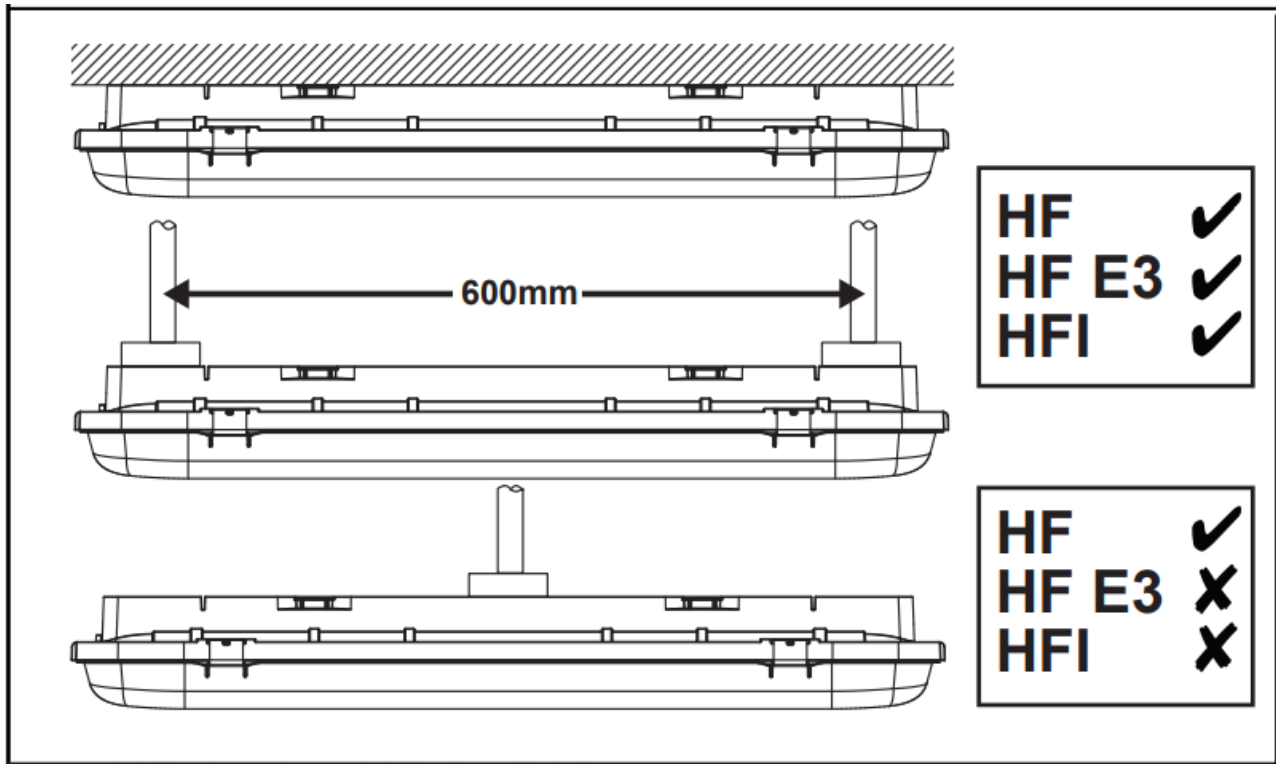
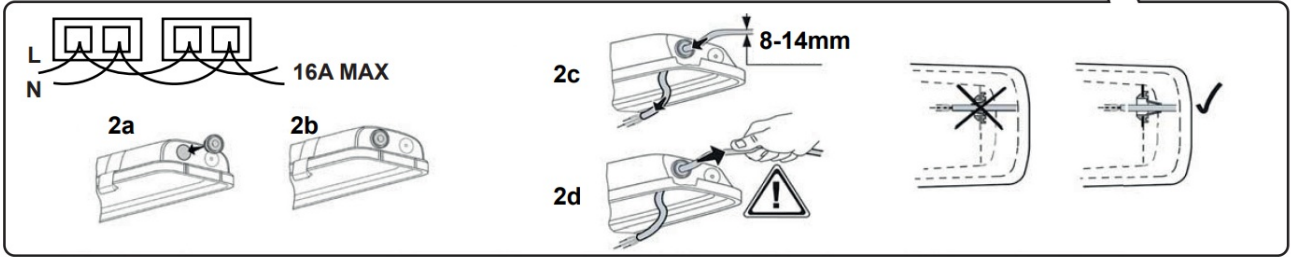
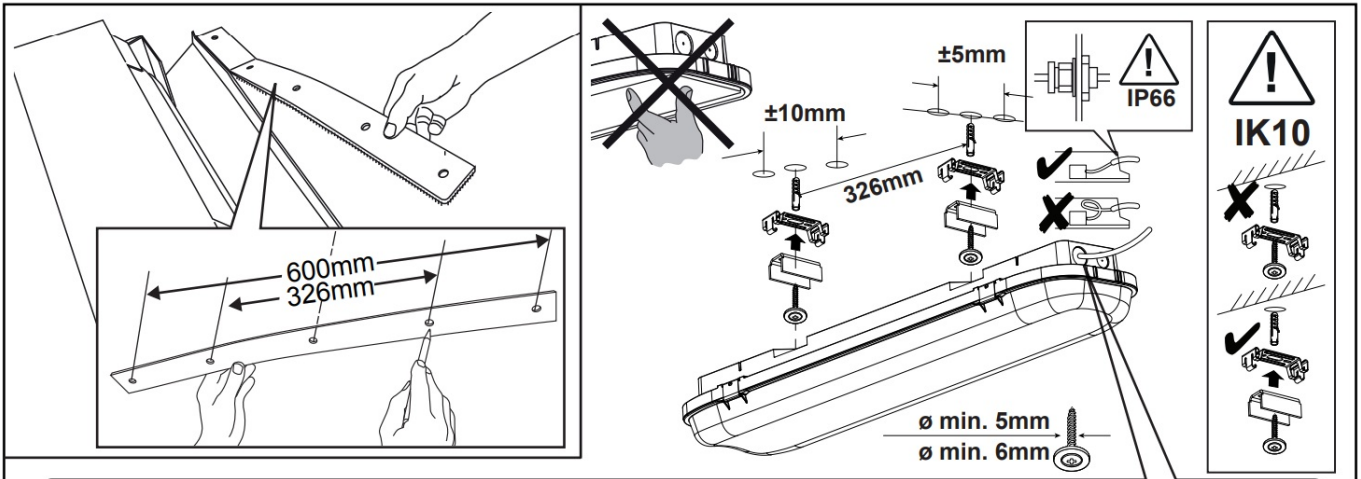


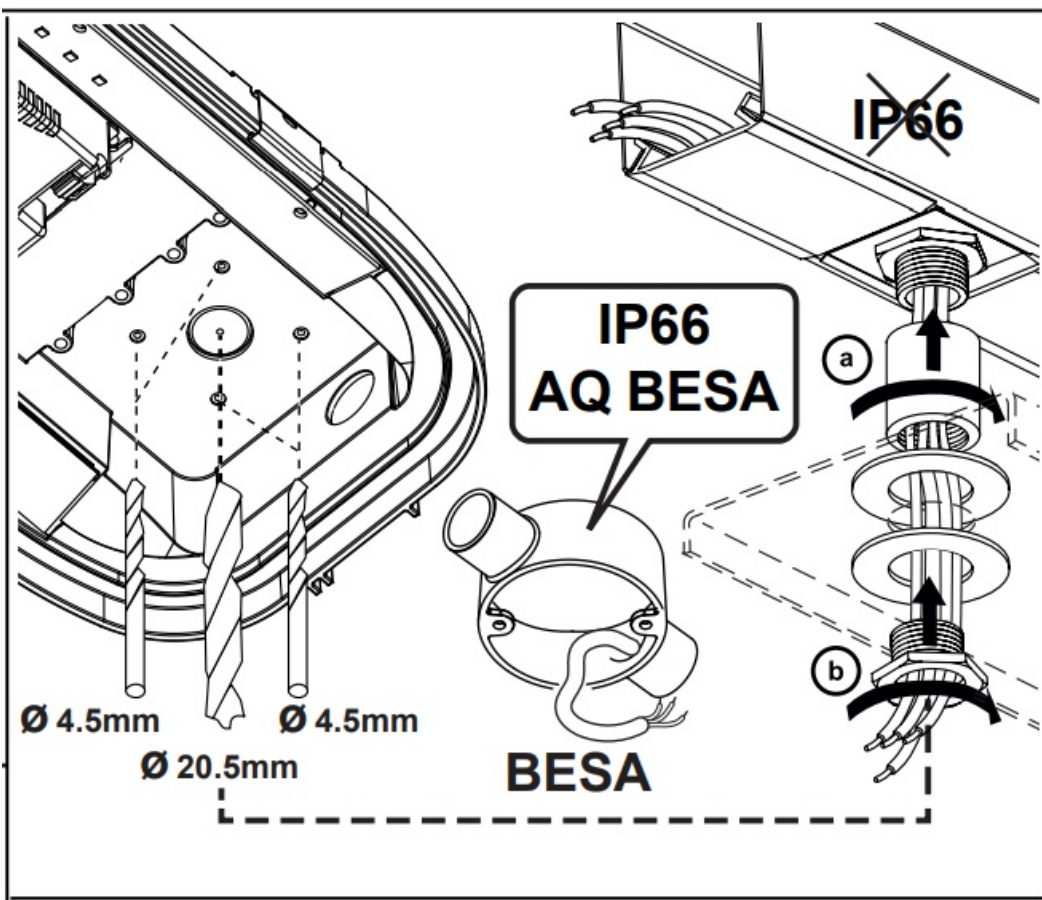
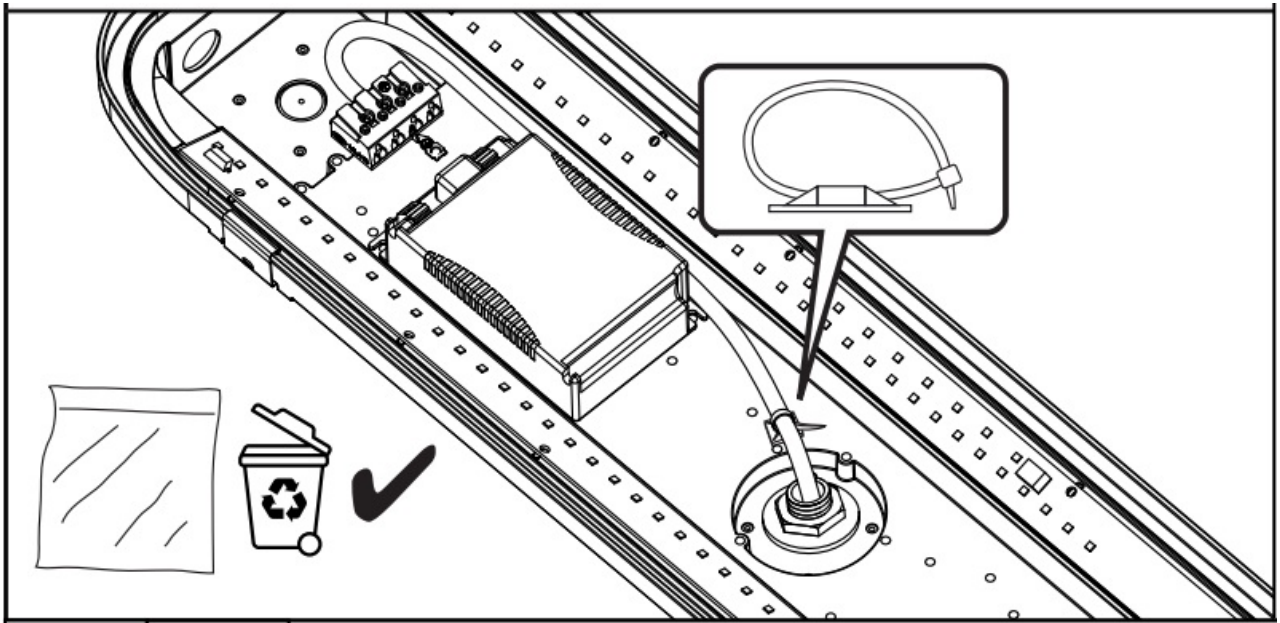
DIMENSIONS



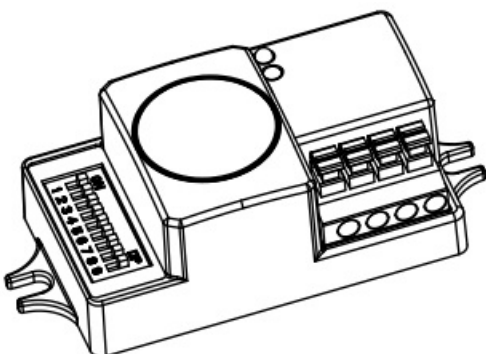
IP66 IK10 MOUNTING OPTIONS (OVERVIEW)







OPTION SENSOR MWS





BC (Bluetooth® CASAMBI)

WEBSITE

www.tridonic.com/basicdim-wireless



HANDBOOK

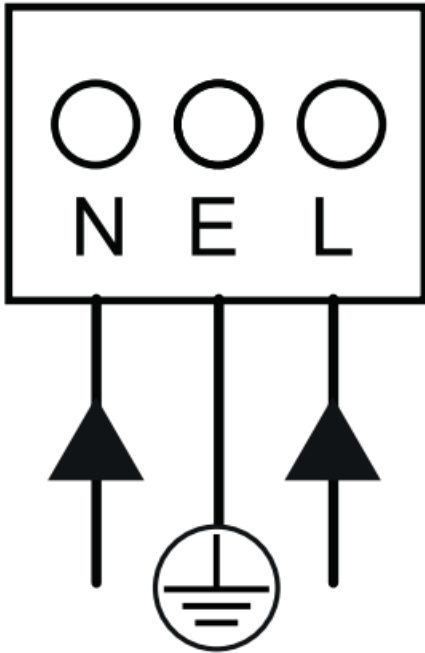


PLANNING NOTES WIRELESS

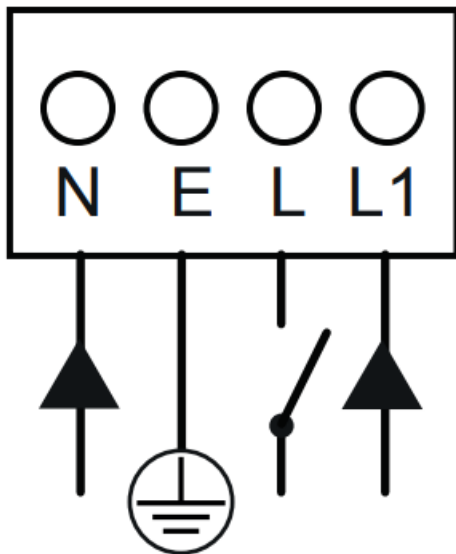


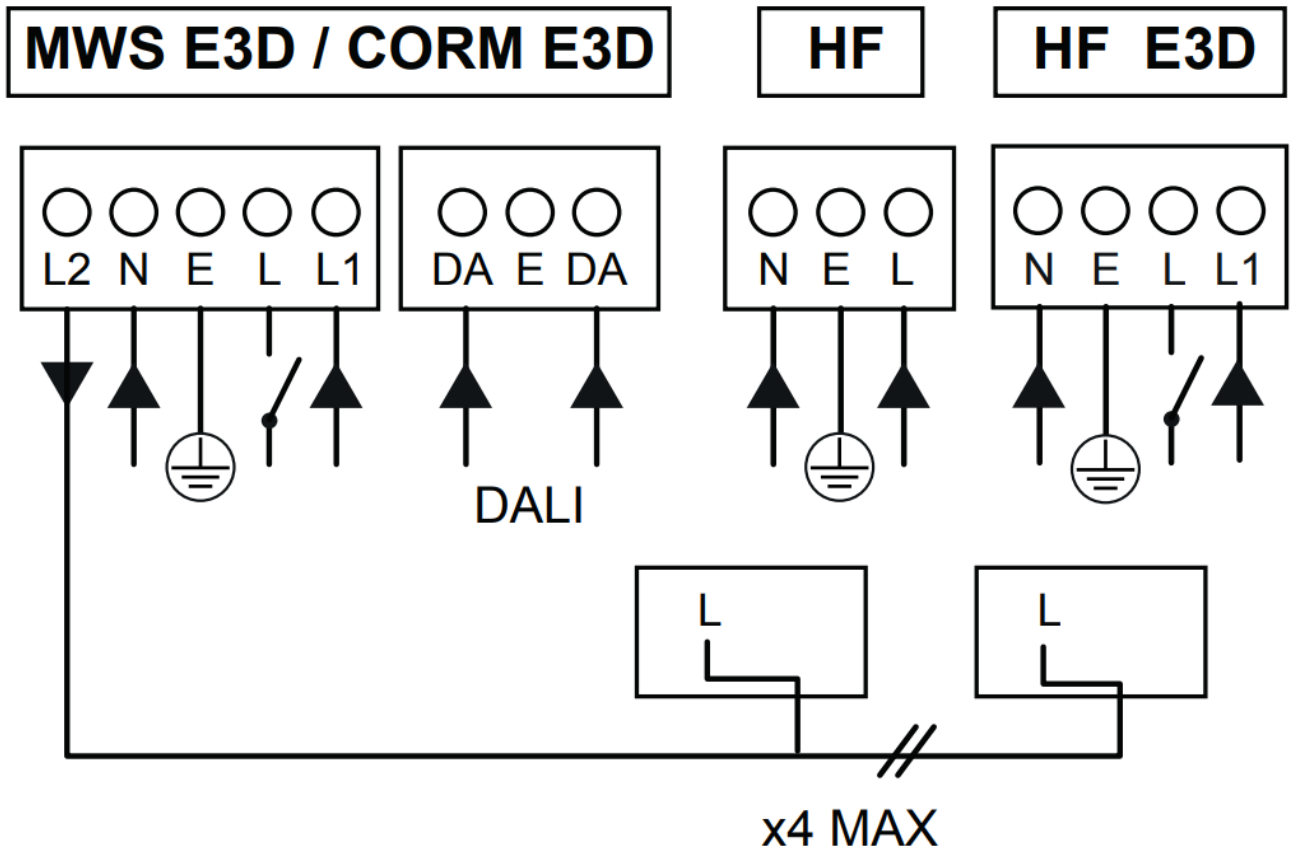
WIRING CONFIGURATIONS

- HF / BC / MWBC / CORMBC

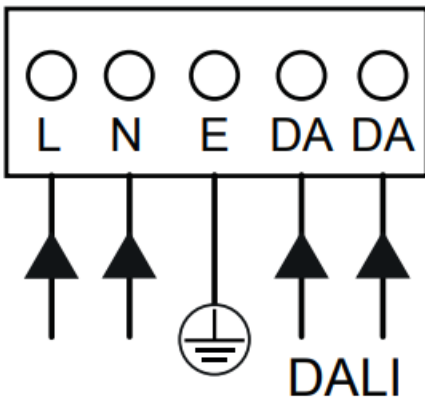


- HF E3 / BC E3 / MWBC E3 / CORMBC E3 / HF E3DBC / BC E3DBC

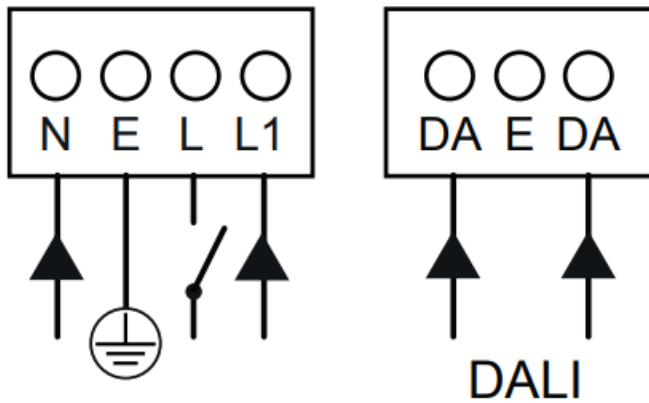




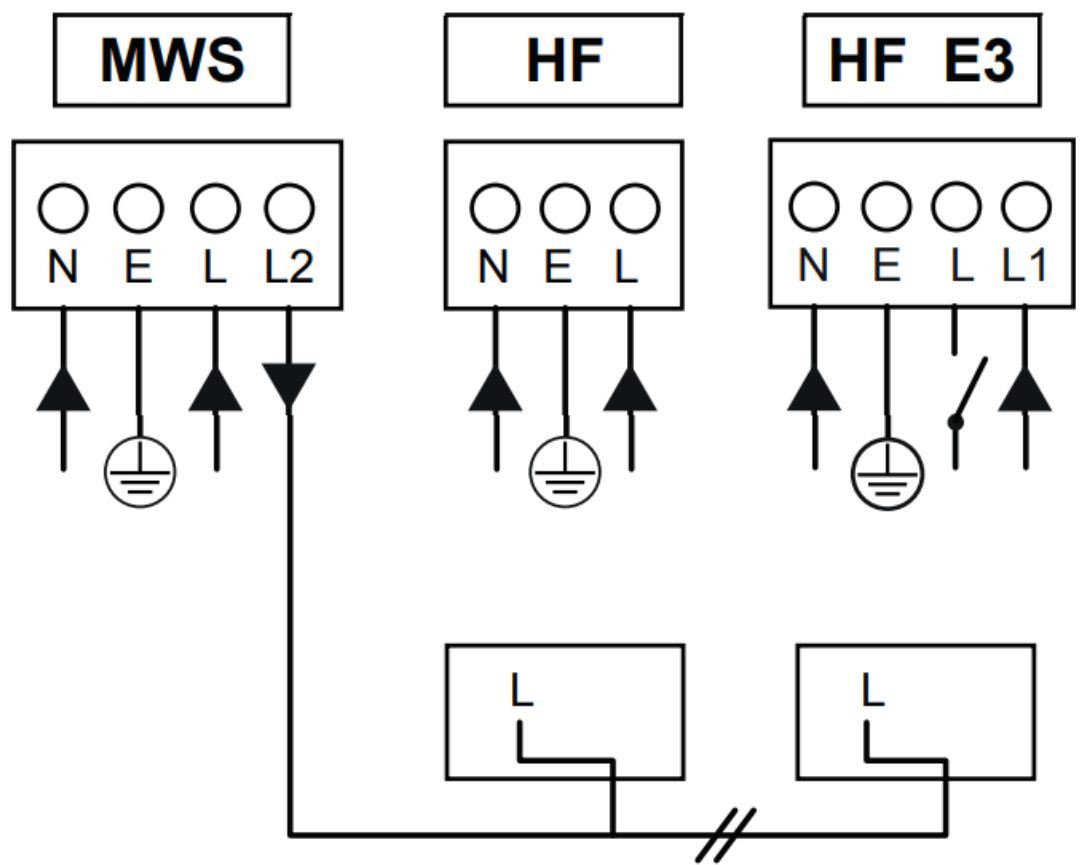
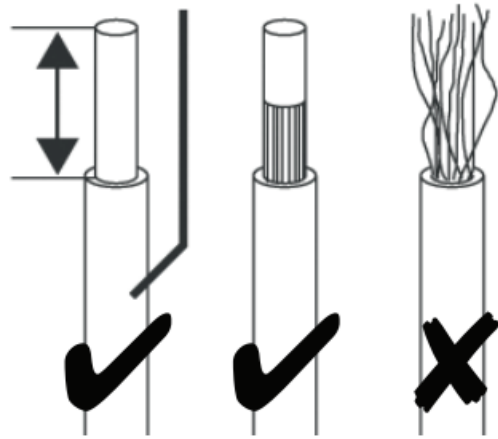
- HFI



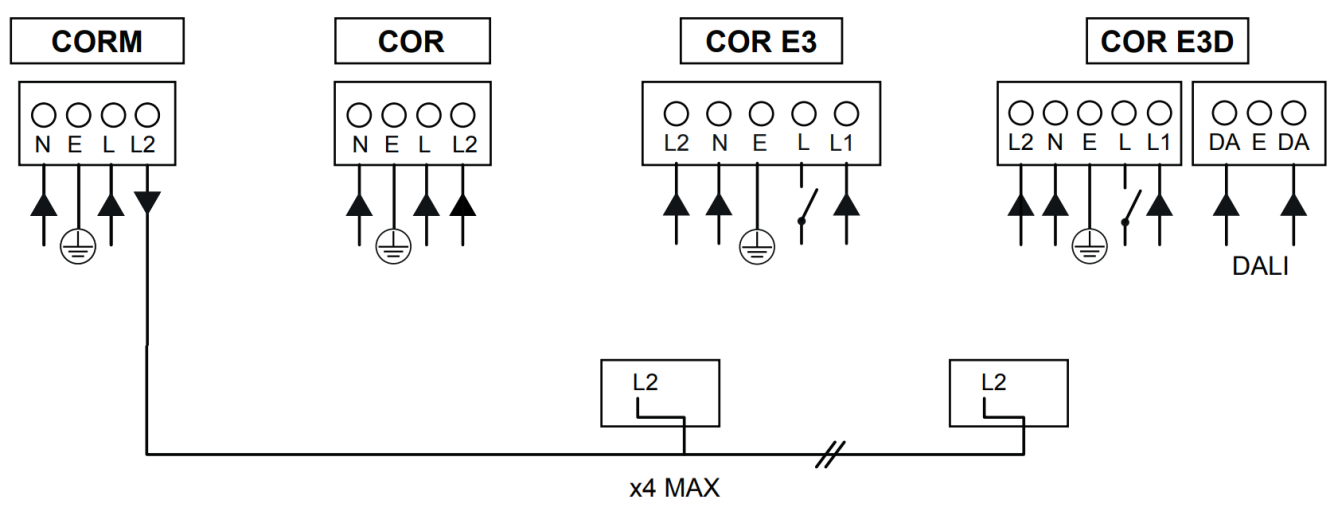
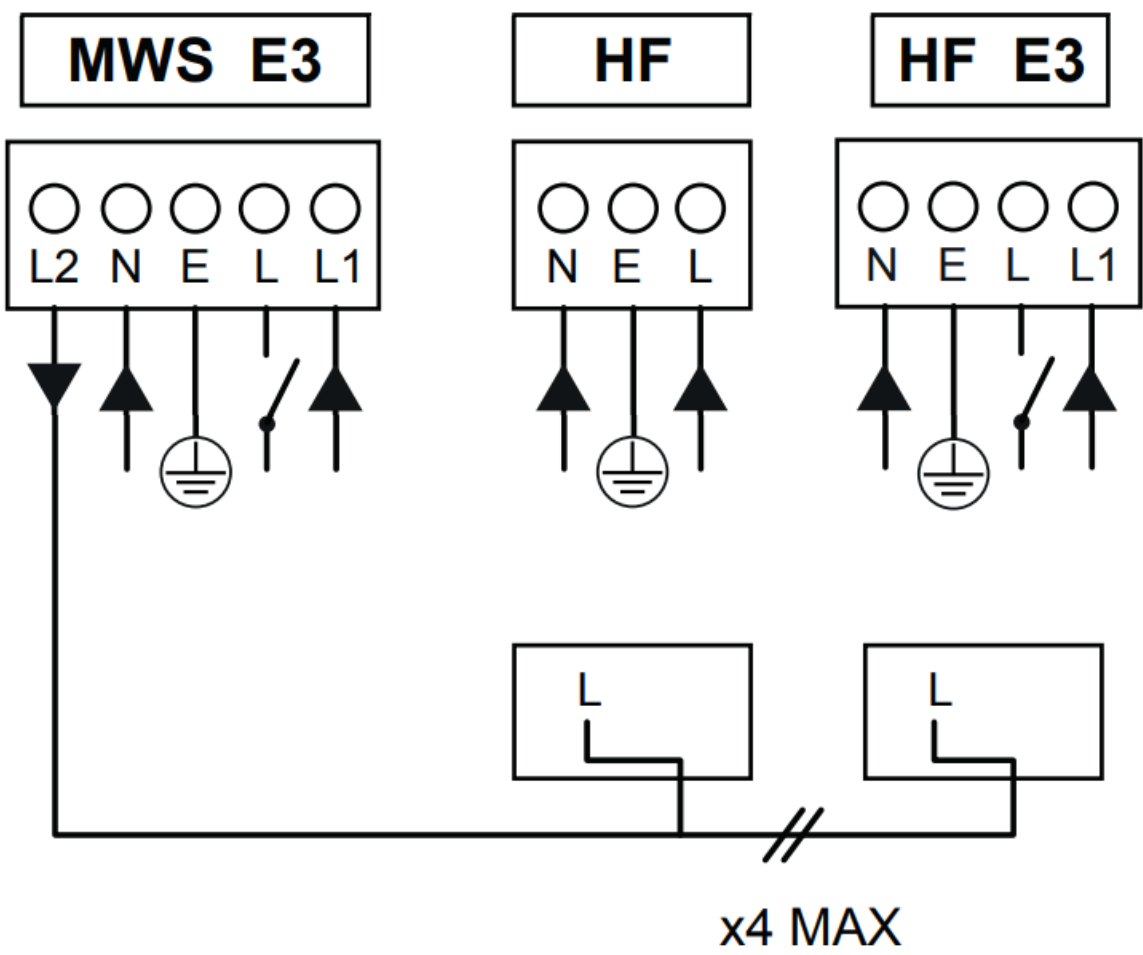
- HF E3D / HFI E3 / HFI E3D / BC E3D / MWBC E3D / CORMBC E3D / HFI E3DBC

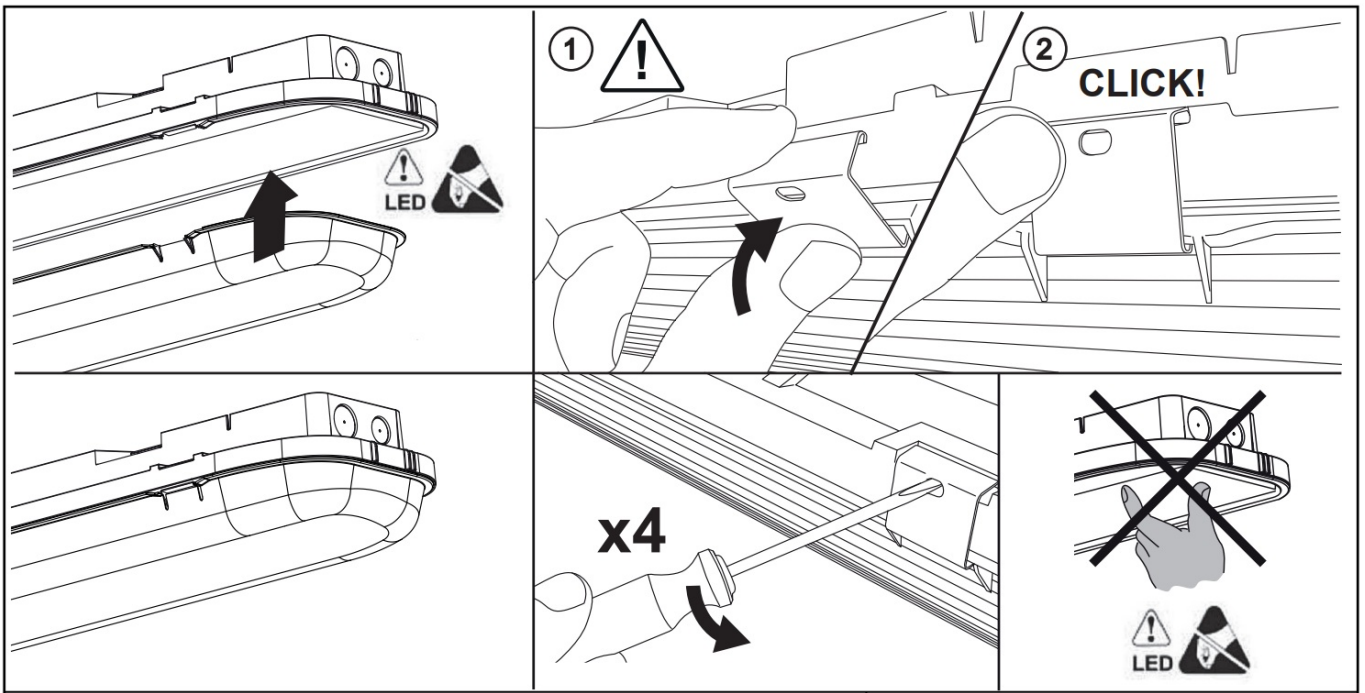


- 0.75mm² – 1.0mm² 8-9mm
- 1.5mm² – 2.5mm² 9-10mm

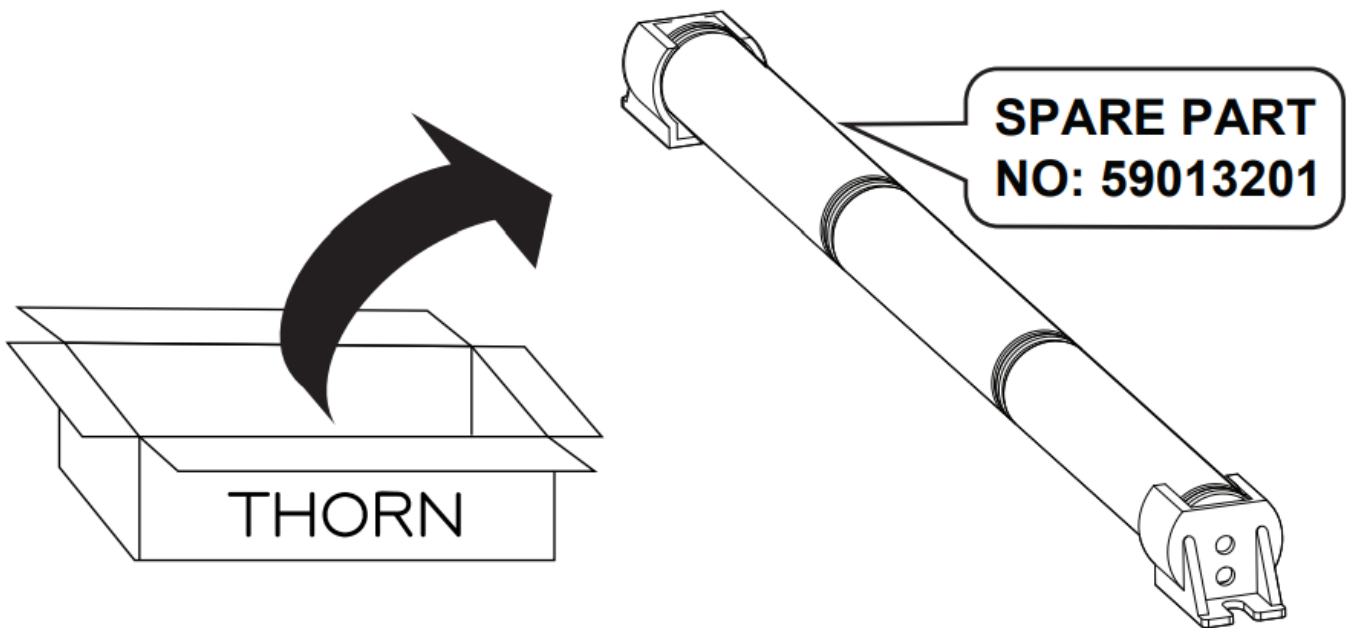


x4 MAX

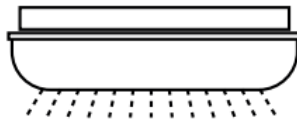
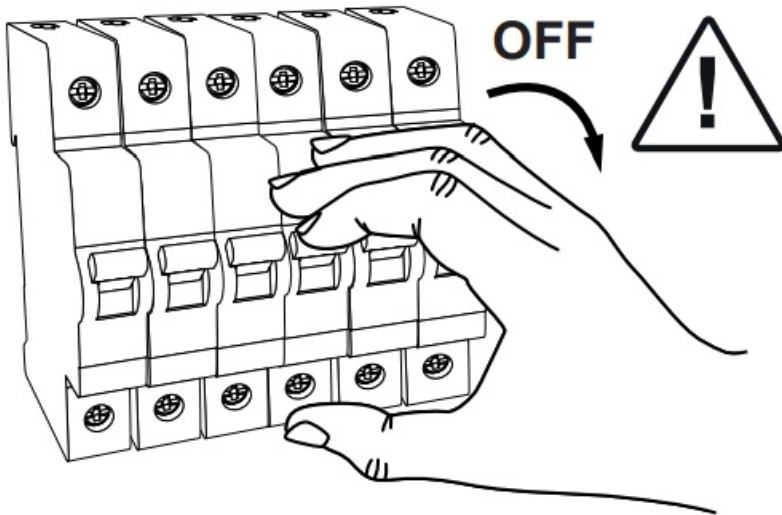




CHANGE BATTERY



i



DO NOT OPEN LUMINAIRE!



OPEN LUMINAIRE!



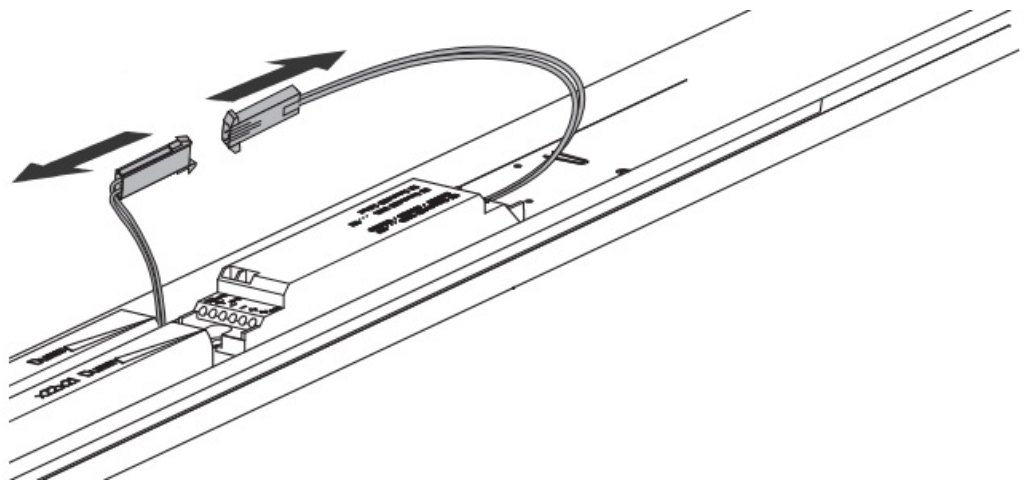
< 3h

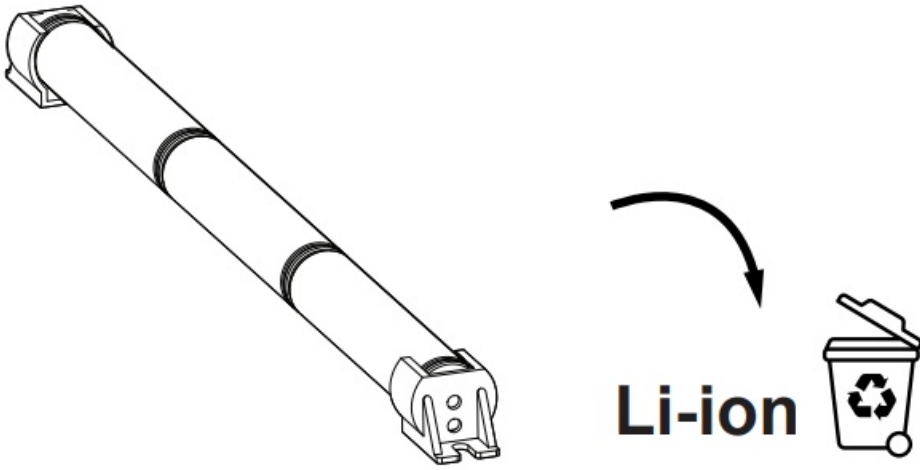


MANUAL
00158223

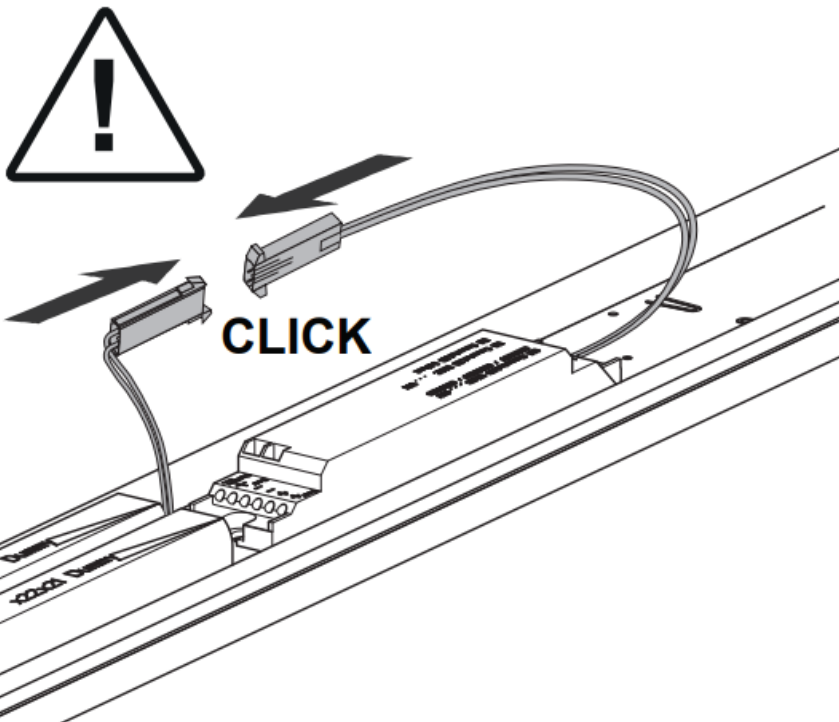
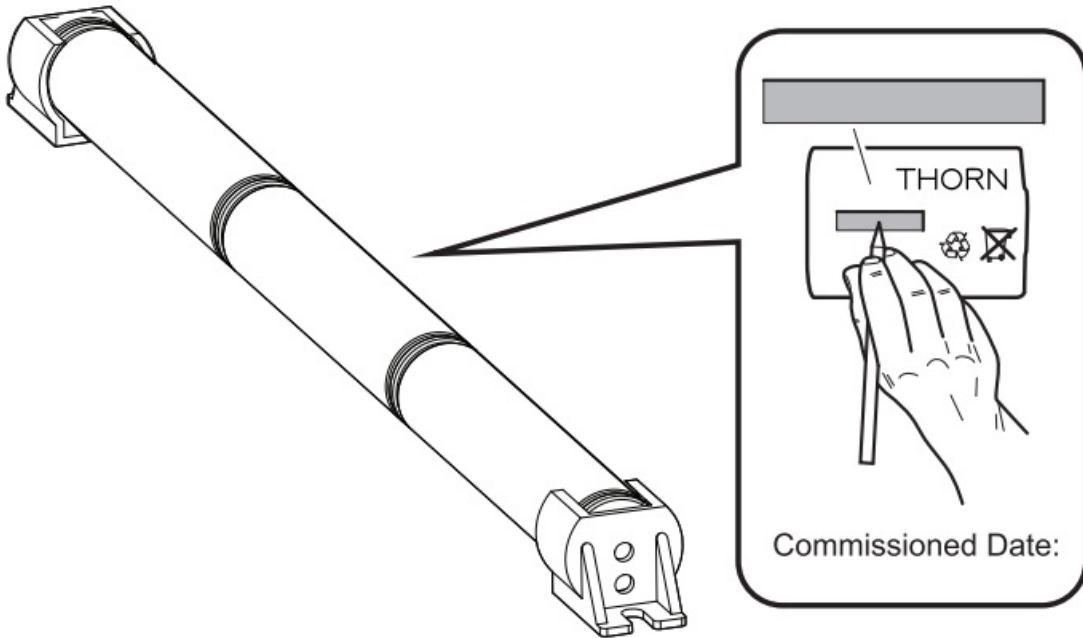
59013201 - LIFEPO4 LITHIUM ION BATTERY

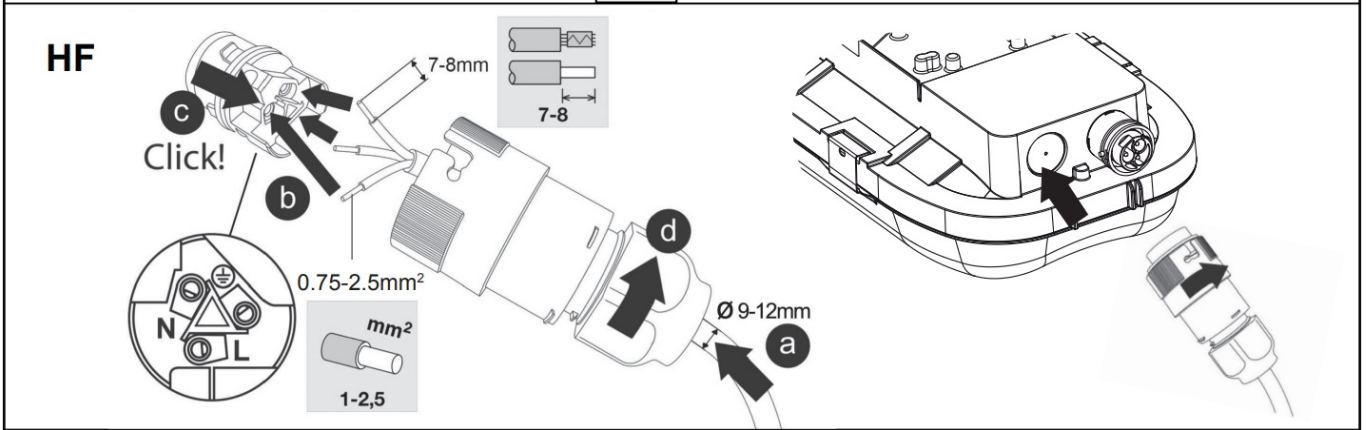
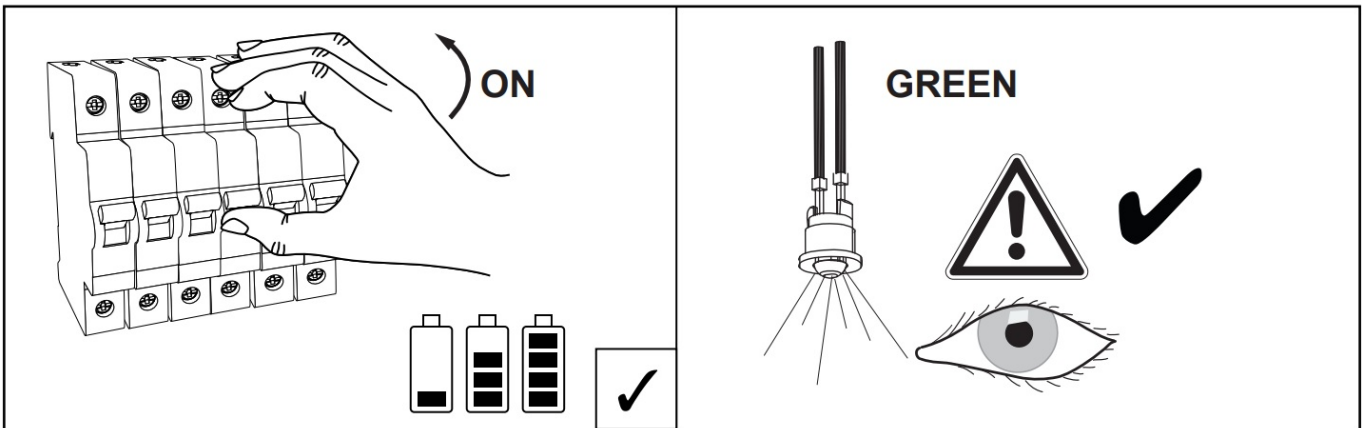
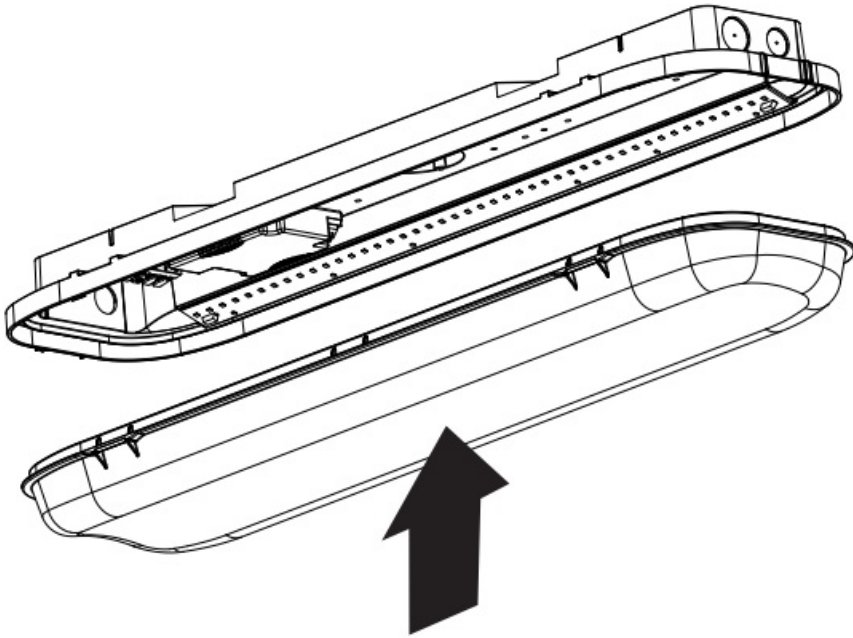
OLD BATTERY

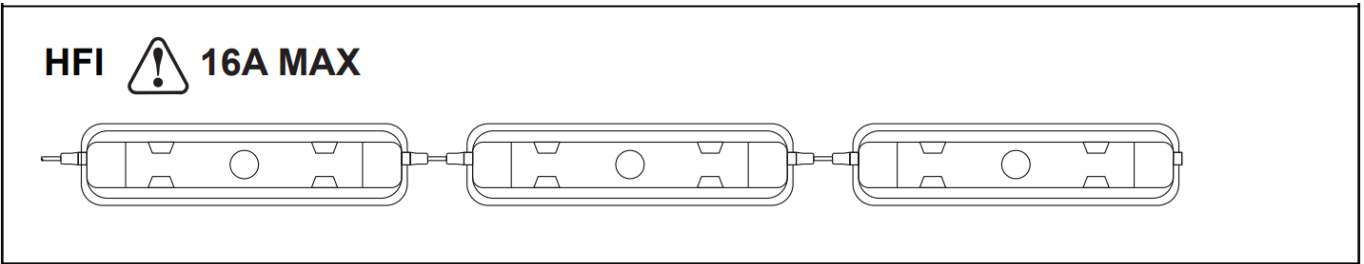
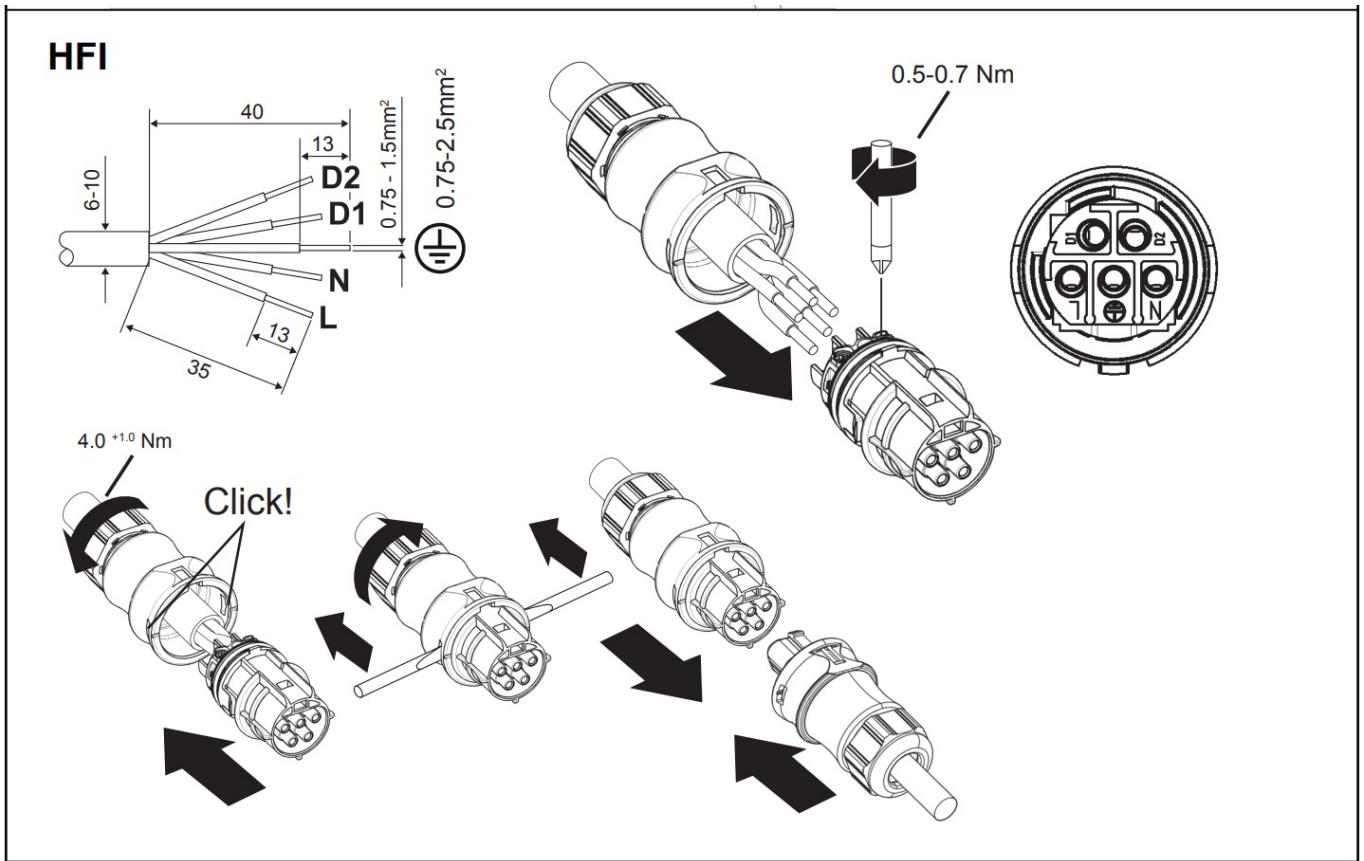




NEW BATTERY







Instructions for installation and operation!

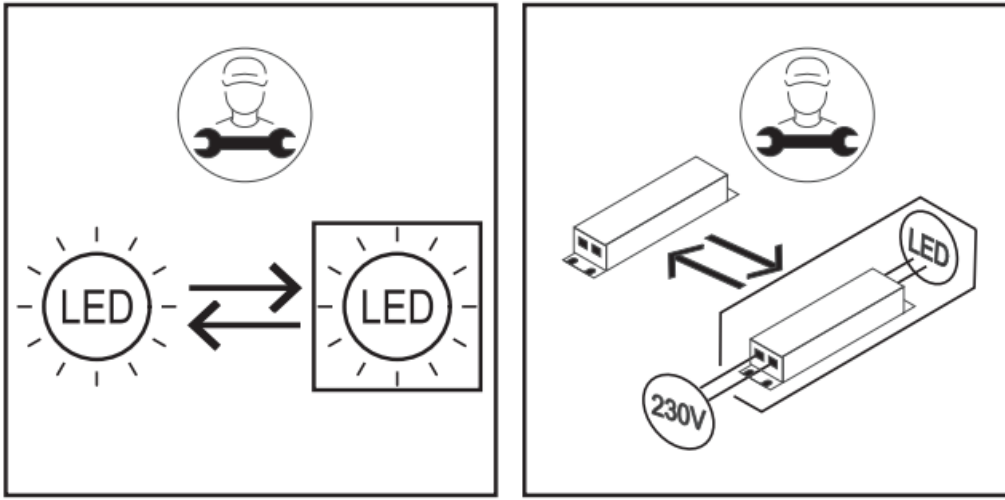
The installation and commissioning of the luminaire as well as any modification to the luminaire may only be performed by authorized personnel (qualified electrician). National installation regulations must be observed. Before any work on the appliance is done, it must be disconnected from mains. Hot plug-in is not an option and may cause damage to the lamp or luminaire! The manufacturer is not liable for damages resulting from improper or faulty installation or operation or from unauthorized modifications to the luminaire. The light source contained in this luminaire shall only be replaced by the manufacturer or his service agent or a similarly qualified person.



Caution, risk of electric shock!

Specifications are subject to change without notice! If you have questions, please contact the manufacturer.

INFO ON (NON-) REPLACEABILITY:



Customer Support

Thorn Lighting Limited
Durhamgate Spennymoor
Co. Durham DL16 6HL UK

<http://www.thornlighting.com/>



THORN



[THORN HFI Force LED \[pdf\] Owner's Manual](#)

4000 840 BC, 4000 840 HFI QC5, 7000-840 HF, HFI Force LED, HFI, Force LED, LED

References

- [🇬🇧 Welcome to the Thorn Lighting website — English](#)
- [🇮🇹 Wireless lighting controls | Smart LED lighting – Tridonic](#)
- [User Manual](#)

Manuals+, Privacy Policy

This website is an independent publication and is neither affiliated with nor endorsed by any of the trademark owners. The "Bluetooth®" word mark and logos are registered trademarks owned by Bluetooth SIG, Inc. The "Wi-Fi®" word mark and logos are registered trademarks owned by the Wi-Fi Alliance. Any use of these marks on this website does not imply any affiliation with or endorsement.