

# TESLA 50Q310BU 4K Ultra HD TV User Guide

[Home](#) » [Tesla](#) » TESLA 50Q310BU 4K Ultra HD TV User Guide



**SERIES 3  
50Q310BU  
LED TV QUICK S T A R T GUIDE**

## OPERATING INSTRUCTION

Please read these instructions before operating your set and retain them for future reference.

### Contents [ [hide](#) ]



- 1 SAFETY INFORMATION**
- 2 Safety Warning
- 3 IMPORTANT SAFETY INSTRUCTIONS**
- 4 PREPARATION FOR YOUR NEW TV**
- 5 WALL MOUNTING (IF AVAILABLE)**
- 6 Warnings
- 7 TV JACKS EXPLANATION**
- 8 SIDE KEYPAD AND FRONT PANEL**
- 9 REMOTE CONTROL INSTRUCTIONS**
- 10 REMOTE CONTROL BUTTONS**
- 11 BASIC OPERATIONS**
  - 11.1 Adjust the OSD Screen
  - 11.2 Select input source
- 12 OSD MENU OPERATIONS**
- 13 TROUBLESHOOTING**
- 14 PRODUCT SPECIFICATIONS**
- 15 Documents / Resources**
  - 15.1 References
- 16 Related Posts**

## SAFETY INFORMATION



**CAUTION**  
RISK OF ELECTRIC SHOCK  
DO NOT OPEN



	<p>The lightning flash with the arrowhead symbol, within an equilateral triangle, is intended to alert the user to the presence of uninsulated dangerous voltage within the product enclosure that may be of sufficient magnitude to constitute a risk of electric shock.</p>		<p>The exclamation point within an equilateral triangle is intended to alert the user to the presence of important operating and maintenance (servicing) instructions in the literature accompanying the TV.</p>
---	---	--	--

**WARNING:** TO REDUCE THE RISK OF FIRE OR ELECTRIC SHOCK, DO NOT EXPOSE THIS APPLIANCE TO RAIN OR MOISTURE.

**CAUTION:** CHANGES OR MODIFICATIONS NOT EXPRESSLY APPROVED BY THE PARTY RESPONSIBLE FOR COMPLIANCE WITH THE FCC RULES COULD AVOID THE USER'S AUTHORITY TO OPERATE THIS EQUIPMENT.

## Safety Warning

Before operating the unit, please read through this manual.

### PLACEMENT

- Do not place the unit on an unstable cart, stand, tripod, bracket, table, or shelf.
- Do not expose the unit to direct sunlight and other sources of heat.
- Do not handle liquids near or on the unit.
- Never spill liquid of any kind into the unit
- Do not put the unit near appliances that create magnetic fields.
- Do not put heavy objects on top of the unit.

### TEMPERATURE

- Do not place the unit near or over a radiator or a heater register.
- If your unit is suddenly moved from a cold to a warm place, unplug the power cord for at least two hours so that moisture that may have formed inside the unit can dry completely.

### HUMIDITY

- Do not expose the machine in rain, damp or place near water.
- Ensure the indoor drying, cool.

### VENTILATION


- Keep the ventilation openings clear.

**WARNING** (Only applicable to models over 7kg) Never place a television set in an unstable location. A television set may fall, causing serious personal injury or death. Many injuries, particularly to children, can be avoided by taking simple precautions such as:

- Using cabinets or stands recommended by the manufacturer of the television set.
- Only using furniture that can safely support the television set.
- Ensuring the television set is not overhanging the edge of the supporting furniture.
- Not placing the television set on tall furniture (for example, cupboards or bookcases) without anchoring both the furniture and the television set to a suitable support.
- Not placing the television set on cloth or other materials that may be located between the television set and supporting furniture.

- Educating children about the dangers of climbing on furniture to reach the television set or its controls. If your existing television set is being retained and relocated, the same considerations as above should be applied.

## IMPORTANT SAFETY INSTRUCTIONS

1. Read these instructions.
2. Keep these instructions.
3. Heed all warnings.
4. Follow all instructions.
5. Do not use this apparatus near water. For example, do not use near a laundry tub, in a wet basement, or near a swimming pool, and the like.
6. Clean only with a dry cloth.
7. Do not block any ventilation openings. Install in accordance with the manufacturer's instructions. Slots and openings in the cabinet back or bottom are provided for ventilation, to ensure reliable operation of the TV and to protect it from overheating. These openings must not be blocked or covered. The openings should never be blocked by placing the TV on a bed, sofa, rug, or another similar surface.
8. Do not install near any heat sources such as radiators, heat registers, stoves, or other apparatus (including amplifiers) that produce heat.
9. Do not defeat the safety purpose of the polarized or grounding-type plug. A polarized plug has two blades with one wider than the other. A grounding-type plug has two blades and a third grounding prong. The wide blade or the third prong is provided for your safety. If the provided plug does not fit into your outlet, consult an electrician for the replacement of the obsolete outlet.
10. Protect the power cord from being walked on or pinched particularly at plugs, convenience receptacles, and the point where they exit from the apparatus.
11. Only use attachments/accessories specified by the manufacturer.
-  12. Use only with cart, stand, tripod, bracket, or table specified by the manufacturer, or sold with the apparatus. When a cart is used, use caution when moving the cart/apparatus combination to avoid injury from tip-over. A TV and cart combination should be moved with care. Quick stops, excessive force, and uneven surfaces may cause the TV and cart combination to overturn.
13. Unplug this apparatus during lightning storms or when unused for long periods of time. For added protection for this TV receiver during a lightning storm, or when it is left unused for long periods of time, unplug it from the wall outlet and disconnect the antenna or cable system. This will prevent damage to the TV due to lightning and power-line surges.
14. Refer all servicing to qualified service personnel. Servicing is required when the apparatus has been damaged in any way, such as power-supply cord or plug is damaged, liquid has been spilled or objects have fallen into the apparatus, the apparatus has been exposed to rain or moisture, does not operate normally, or has been dropped.
15. This TV should be operated only from the type of power supply indicated on the rating label. If the customer is not sure the type of power supply in your home, consult your appliance dealer or local power company. For TV remote control battery power, refer to the operating instructions.
16. The TV set shall not be exposed to dripping or splashing. No objects filled with liquids, such as vases, shall be placed on the TV set.
17. Never push objects of any kind into this TV through openings as they may touch dangerous voltage or other

electrical parts that could result in fire or electric shock. Never spill liquid of any kind into the TV.

18. Unplug the TV from the wall outlet before cleaning. Do not use liquid or aero cleaners. Use a damp cloth for cleaning.
19. This TV should never be placed near or over a radiator or heat resource. This TV should not be placed in a built-in installation such as a bookcase or rack unless proper ventilation is provided or the manufacturer's instructions have been adhered to.
20. Do not place this TV on an unstable cart, stand, tripod, bracket, or table. The TV may fall, causing serious injury to someone, and serious damage to the appliance.
21. Do not attempt to service this TV by yourself because opening or removing covers may expose you to dangerous high voltage or other hazards. Refer all servicing to qualified service personnel.
22. Please do the static electricity prevention and panel protection measures before overhaul, avert damage to the panel and mainboard sensitive element, ex. IC etc.
23. **WARNING:** To prevent injury, this apparatus must be securely attached to the floor/wall in accordance with the installation instructions.

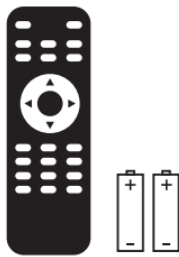
## PREPARATION FOR YOUR NEW TV

### Check Accessories

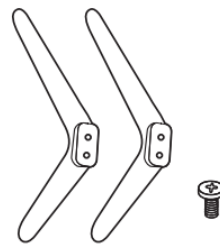
Check the accessories that are packed with your TV. Check the accessories that are packed with your TV.



LED TV



Remote Control + Batteries



TV Stand Base + 4 Screws

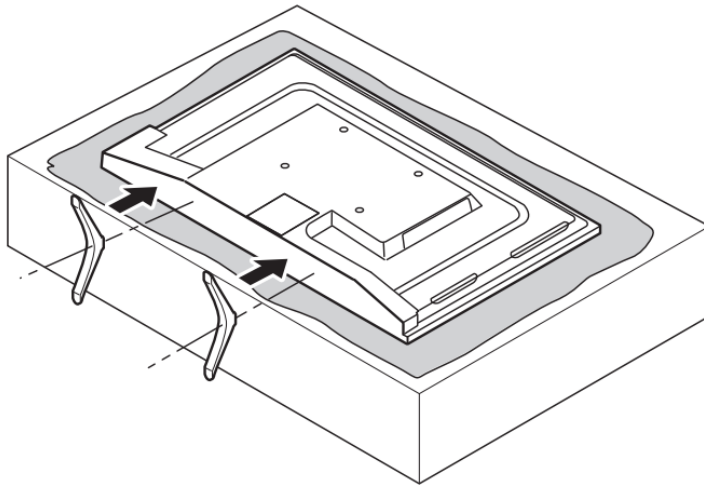


User's Manual  
Warranty Card

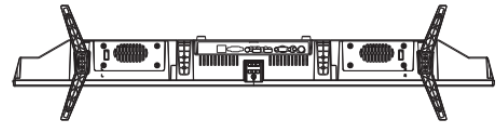
### Stand Installation Guide

The TV is packaged with the TV stand separated from the cabinet. To set up the TV table stand, please carry out the installation according to the instructions below.

1. The panel can be scratched easily, so please: Place a soft cloth on the table and place the TV face down on the cloth.  
**Note:** Always unplug the AC cord first when installing/removing the stand.
2. Take the base. Please align the screw holes of the base and the TV, and then insert the screws into the holes on the base and tighten them.  
**Note:** To ensure that the TV is stable, please lock all screws.



Please take note of the base direction:



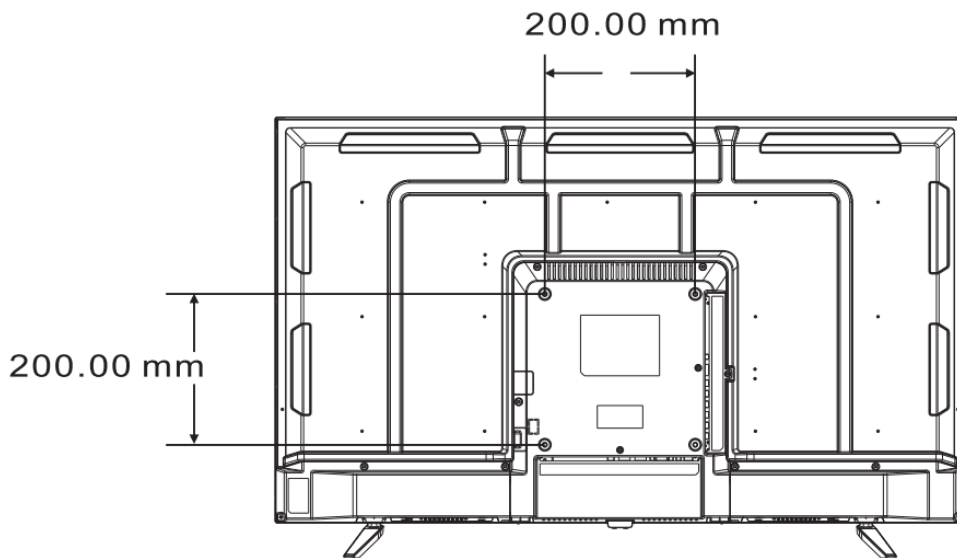
The bottom view of the TV  
(Front cabinet faces down)

**Note:** Picture for reference purposes only.

### WALL MOUNTING (IF AVAILABLE)

VESA 200 x 200 mm	Screws: M6x8mm, 4pcs
-------------------	----------------------

**Note:** The length of the screw specified is only a recommendation; actual length required can vary depending on the type of wall mount used.

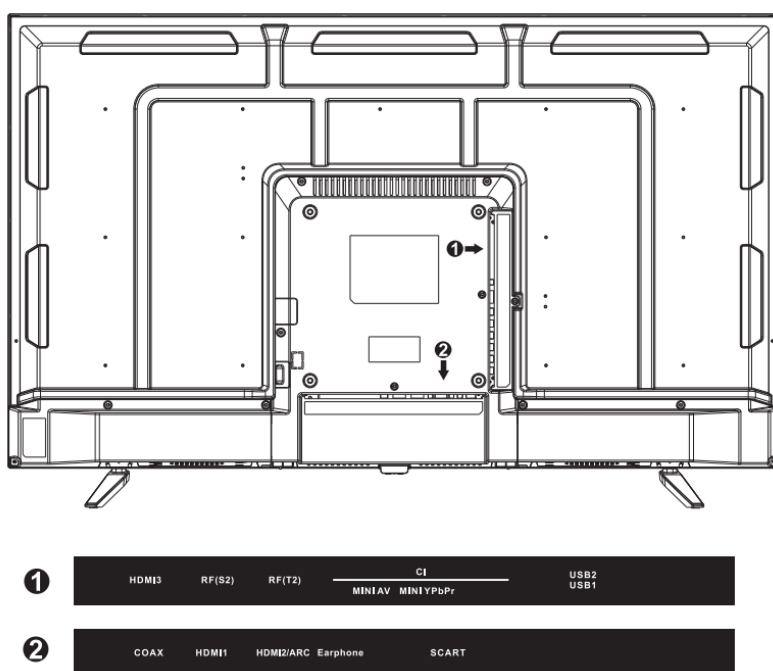


### Warnings

1. Do not set up the wall mount by yourself. Please contact qualified professionals for installation.
2. The TV should not be mounted on walls or surfaces which have an angle more than 10 degrees with the vertical direction. Otherwise, the TV set may fall.
3. The walls for mounting must have enough strength to hold the whole weight of the TV set. For example, concrete walls and brickwork are eligible. Do not place the mount on soft walls such as earth walls and plasterboard.
4. If spare parts of different specifications (such as screws) are used during mounting, consult with qualified professionals to make sure these parts are safe and effective.

5. Before attaching the base to the wall, ensure the holes for anchors are in keeping with the installing rules. Otherwise, there may exist some potential problems.
6. Do not place any heating source under your television. Or else, it can cause a fire.
7. Do not place the TV near anything dripping. Transducers and high voltage wires should be kept far away from the apparatus too. Or else, it may cause creepage, electric shock, or bad resonance.
8. Do not place the TV in a location where collision or vibration is liable to happen.
9. In order to avoid unexpected falling of the TV set, do not put any strong force on the TV or wall mount after installing.
10. Be sure to unplug the TV before installing. Keep anything hard or sharp away from the screen panel to prevent scuffing.
11. After installing, if there is any need to move the cabinet, please contact qualified professionals.

## TV JACKS EXPLANATION



**SCART:** Connect to receive the signal from your antenna or cable via coaxial cable.

**RF(T2/S2):** Connect to receive the signal from your antenna or cable through a coaxial cable.

**HDMI:** (High-Definition Multimedia Interface) Provides an uncompressed digital connection.

**COAX:** Digital TV sound output.

**CI:** CI card reader.

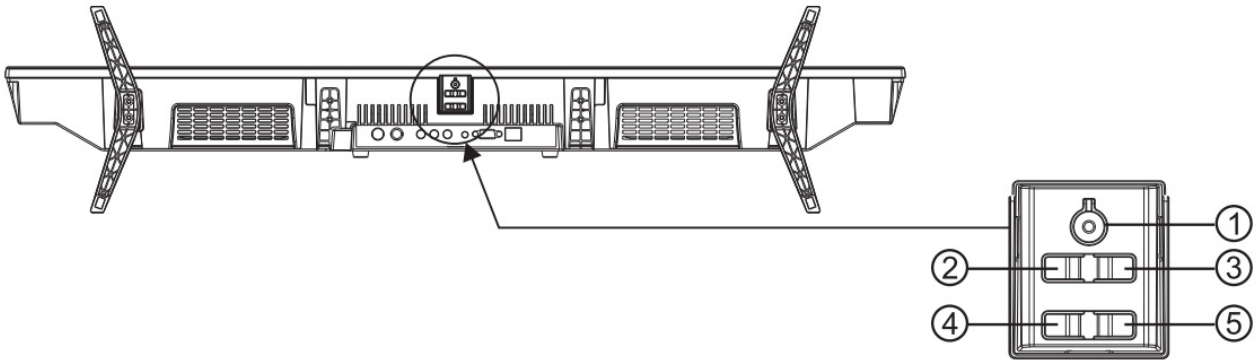
**MINI AV:** Connect the Audio / Video output jack of the DVD or VCR.



**MINI YPbPr:** Connect the YPbPr output jack of the DVD or VCR.

**USB:** Connect the USB device such as the flash disk to access the TV media function.

**EARPHONE:** Connect a 3.5 mm headset for personal audio.

## SIDE KEYPAD AND FRONT PANEL

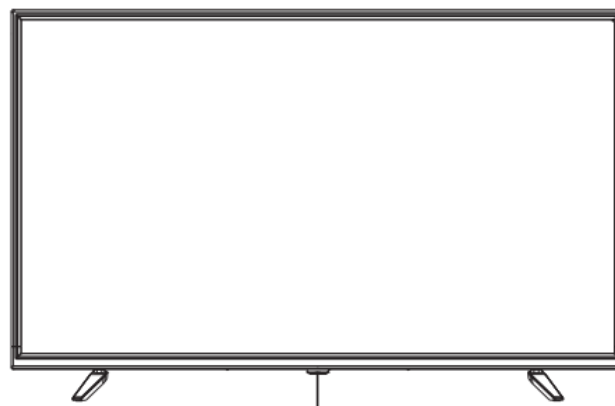


1. **POWER (  ) /OK:** In the off mode, Short press to turn on the TV. In the on mode, Short press to achieve OK function, long press to achieve POWER function. **POWER (  ):** Turns the TV on and off.  
**OK:** Enter and confirm.
2. **VOL-:** Decreases the volume. In the TV menu system, it acts like the left arrow on the remote control and can be used to select menu options.
3. **VOL+:** Increases the volume. In the TV menu system, it acts like the right arrow on the remote control and can be used to select menu options.
4. **MENU/CH-:** Short press to achieve CH- function, long press to achieve MENU function. **MENU:** Displays the TV Main Menu.  
**CH-:** Scans down through the channel list. In the TV menu system, it acts like the down arrow on the remote control and can be used to select menu options.
5. **INPUT/CH+:** Short press to achieve CH+ function, long press to achieve INPUT function.  
**INPUT:** Displays the Source Select List.  
**CH+:** Scans up through the channel list. In the TV menu system, it acts like the up arrow on the remote control and can be used to select menu options.

### Front Panel

Power/Standby Indicator: Blue and red dual-color LED. It shows red when the TV is turned off and blue when turned on. Remote Control Sensor: Remote control IR sensor, which receives infrared ray sent by remote control.

Power/Standby Indicator Remote Control Sensor



Power/Standby Indicator  
Remote Control Sensor

## REMOTE CONTROL INSTRUCTIONS

### Inserting Batteries in the Remote

1. Remove the battery compartment cover from the back of the remote control by lifting the cover.
2. Insert 2AAA batteries. Make sure the polarities(+and-) are aligned correctly.
3. Put the cover back.

**If the remote control does not work, check these points:**

- Are the polarities (+, -) correct?
- Are the batteries worn out?
- Is there an AC power failure?
- Is the power cord plugged in?
- Is there any interference or block near the remote control sensor?

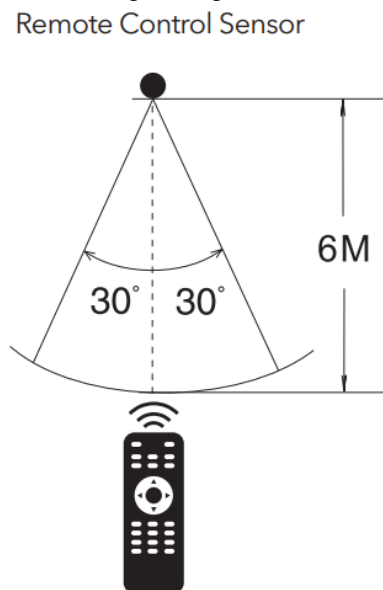
**CAUTION:**

- Used batteries should be recycled.
- Keep out of children's reach.
- DO NOT use new and old batteries together.
- Change both the batteries at the same time.
- When not using the remote control for a long time, remove the batteries from the unit.

**Warning:** All batteries (packed or in use) must not be exposed to high temperatures like sun heat or fire.

**Remote Control Reception Angle**

Use your remote control within the distance and angle range shown below.



**REMOTE CONTROL BUTTONS**






**POWER** (  ): Turns the TV on or switches it to Standby.

**MUTE** (  ): Reduces the TV volume to its minimum level. Press again to restore the volume.

**NUMBER BUTTONS**: Press 0-9 select a TV channel directly when you are watching TV. “-/-“: Set up the digit of the channel.

**Recall** (  ): Returns to the previous channel.

**AUDIO**: Switch the audio channel in DVD or multimedia mode.

**FAV-./FAV+.**: Scan up or down through the current favorite channel list. FAV: Show favorite channel list.

**CH+** or **CH-**: To access the next or previous channels.

**VOL+** Or **VOL-**: Increases or decreases the TV volume. P. MODE: Switches between the preset picture mode.

**S.MODE**: Switches between the preset sound mode.

**INPUT**: Accesses the available input channels, Use the arrows to highlight options, and press OK to select.

**SLEEP**: Selects the sleep timer, after which the TV will shut off automatically.

**ASPECT**: Switches between the preset screen size mode.

**INFO**: Press to display the current program information on the screen.

**Arrows** (  /  /  /  ): Uses the four arrows to highlight different items in the TV menu or change the value.

**OK**: Enter and confirm button.

**MENU**: Accesses the Main Menu, or return to the upper level of a sub-menu.

**EXIT**: Exits the current menu or function.

**TEXT**: To enter Teletext mode. Teletext is not broadcast in New Zealand.

**INDEX**: To display the index page.

**MIX/T**: TV and TXT pictures are mixed together in transparent background. Press to activate the Time Shift function in Digital TV mode, for delayed viewing.

**REVEAL**: The Teletext mode-To reveal or hide the hidden words.

**HOLD** Teletext mode-Hode current page which is displayed.

**SUBPAGE**: Sub-coded page access.

**SIZE**: Change the size of the display in Teletext mode.

**CANCEL**: To cancel the display.

**SUB-T**: Display caption information

**TV/RADIO**: Switch between TV and radio. (Used for models with DTV function only)

**REC:** Personal video record button. A USB memory device must be connected to the USB port for recording.

**EPG:** Shows Electronic Program Guide.

**RED/GREEN/YELLOW/BLUE:** Use add-on functions in the OSD menu.

■▶|| : Stop and play or pause media files;

◀◀ ▶▶: Fast review and fast forward.

◀◀▶▶: Select the previous or the next media file.

## NOTE:

- All pictures In this manual are examples, only for reference, the actual product may differ from the pictures.
- The buttons not mentioned here are not used.

## BASIC OPERATIONS

### Turning On and Off

Connect the AC cord to power the TV. At this time the TV will enter standby mode and the power indicator will turn red.

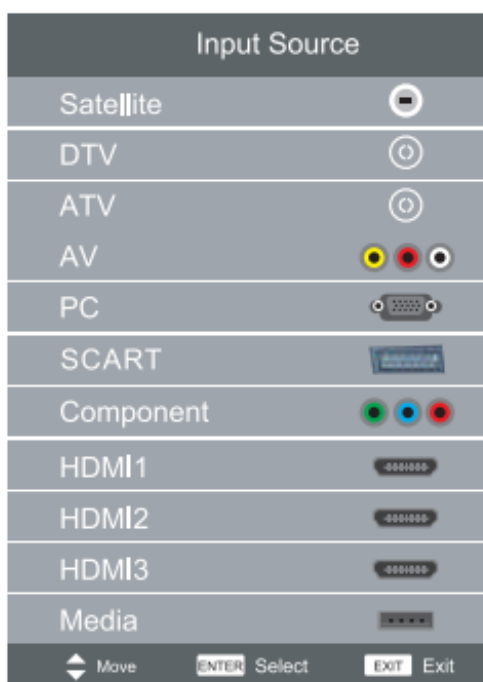
Use the Power button (⏻) on the side panel of the TV or on the remote control to turn on the TV. After switching off the TV for 5 seconds, you can turn on the TV again.

### Adjust the OSD Screen

- Press the **MENU** button to display the MAIN OSD MENU;
- Press ◀ / ▶ button to select the MENU you want;
- Press the **OK** button to enter the submenu, and press the **MENU** button to return back to the previous menu.
- Press ▲ / ▼ the button to select the option and then press the OK button to enter the submenu, press ◀ / ▶ button to adjust the value, or press ◀ / ▶ button to select in the sub-menu;

You can press the **MENU** button to save and return back to the previous menu, and press the **EXIT** button to exit the entire menu.

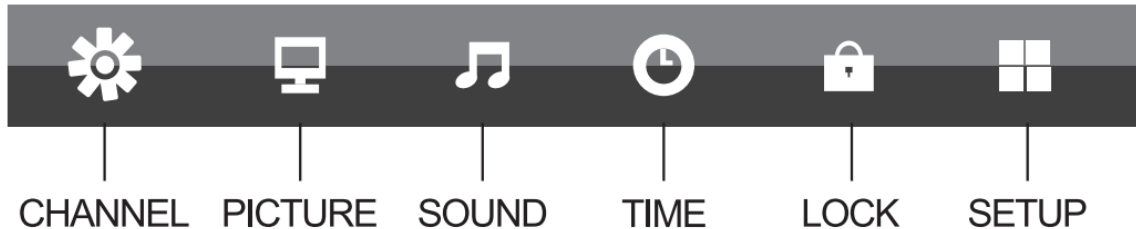
### Select input source



- Press the **INPUT** button to display the input source list;
- Press **▲/▼** button to select the input source you want to watch;
- Press the **OK** button to enter the input source.

## OSD MENU OPERATIONS

### Menu Setting



Press the **MENU** button to display the MAIN OSD MENU:

**Channel:** Used for channel searching and edit, it's only available in TV input.

You can choose to automatically search, or choose to manually search according to your needs.

**Picture:** Used for TV picture effect adjusting.

For example Picture mode, color temperature, and so on.

**Sound:** Used for TV sound effect adjusting.

For example Sound mode, Balance, and so on.

**Time:** Used for TV time effect adjusting.

For example OSD Time, Sleep Time, and so on.

**Setup:** Used for TV additional options.

For example, OSD Language, Reset, and so on.

**Lock:** Used for TV Lock effect adjusting.

For example System Lock, Channel Lock, and so on.

**Note:** When the "Lock" function is set, if the System Lock is on, please input the password to unlock, the default password is 0000.

For more settings, please refer to the menu settings.

### Media Operation

Note: Before operating the MEDIA menu, Plug in a USB device or memory card.

Press **▲/▼** button to select Media Player on the Home Page, and then press the "OK" button to enter.

You can browse multimedia files by selecting PHOTOS, MUSIC, MOVIE, or TEXT. Then press the "**▶**" button to start playing.



1. Press **◀/▶** button to select the option that you want to adjust in the Media menu, then press OK or **▶** button to enter.

2. Press ◀ / ▶ button to adjust or press ◀ / ▶ button to select.
3. After finishing your adjustment, press the MENU button to save and return back to the previous menu and press the EXIT button to exit the entire menu.

## TROUBLESHOOTING

If there are any problems when using the product, please consult the list below. If the list does not solve the problem, call our Customer Service Center Immediately.

Problem	Solution
The TV can't be turned on.	<p>Make sure the AC cord is plugged in.            Check the wall outlet, make sure the AC output works normally and stably.</p> <p>Select the Key Lock function in the OPTIONS menu and press OK to uncheck the locking status.</p>
No picture or sound but the TV is on and there is a "No Signal" sign on screen.	<p>Are you trying to use an input source with no device connected to it? For using another video/audio device, make sure the external device works normally first, then press Source and choose the right input source.            The signal type option may be set incorrectly.            The channel may be blank. Try to search the channel again or change to another channel.</p>
The sound is fine, but the picture is poor.	<p>If you can only get black and white pictures from an external device that you've connected to your TV, maybe it is due to the video cables not connected well, or they are connected wrongly. Check the connection stability first, then check the correctness.            For AV input, the yellow video cable connects to the yellow Video In jack on the side of your TV. For Component input, the three Y, Pb, Pr video cables (red, blue, and green) should be connected to the corresponding input jacks on the side of your TV.            Check the antenna connections. Make sure all of the cables are firmly connected to the TV jack on side of your TV.            Try adjusting the color features to improve.</p>
There is no sound, but the picture is fine.	<p>The sound might be muted. Try pressing the MUTE button to restore sound.            For using AV or Component, remember to connect the device's left and right audio output correctly. The left channel cable is white and the right channel cable is red. Please match the cables and jacks according to their colors.            The sound settings may not be set correctly.            If your audio source has only one jack or is a (mono) audio source, make sure you have plugged the connection into the Audio In L jack (white) on the TV.</p>
The buttons on the side panel don't work.	<p>Unplug the TV from the AC power for 10 minutes and then plug it back in. Turn the TV on and try again.</p>

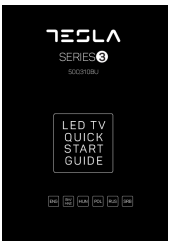
The TV turns off unexpectedly.	The electronic protection circuit may have been activated because of a power surge. Wait 30 seconds and then turn the TV on again. If this happens frequently, the voltage in your house may be abnormal. If the other electronic equipment in your home can't work normally, consult qualified service personnel.
The Remote control doesn't work.	Something might be blocking between the remote control and the remote sensor on the front panel of the TV. Make sure there is a clear path. The remote may not be aimed directly at the TV. The batteries in the remote may be weak, dead, or installed incorrectly. Put new batteries in the remote.

## PRODUCT SPECIFICATIONS

Model:	50Q310BU
Video	avi, MPEG
Music	mp3
Photo	jpg, jpeg, BMP, png
Screen resolution	3840×2160
Working voltage	100-240V-50/60 Hz
Rated power consumption	115W

[www.tesla.info](http://www.tesla.info)

## Documents / Resources

	<p><a href="#">TESLA 50Q310BU 4K Ultra HD TV [pdf] User Guide</a> 50Q310BU, 4K Ultra HD TV</p>
---	--

## References

- [Tesla.info](http://www.tesla.info) | [Technology for all](#)

## Related Posts



### [SAMSUNG 43LS03A Ultra HD \(4K\) TV User Guide](#)

QUICK SETUP GUIDE A B C D E F G H I 43L503A 3&2 inches (969.5 mm) (9695...

PRODUCT SPECIFICATION			
RTED	PANEL RESOLUTION (pixels)	3840 x 2160	4K/UL
RTED	ASPECT RATIO	16:9	EDGE
RTED	CONTRAST RATIO (TYPICAL) PANEL	4,000:1	ALCP
RTED	COMB FILTER	40 HZ DIGITAL	SPER
RTED	RESPONSE TIME (TYPICAL)	8ms	CRD1
RTED	HORIZONTAL VIEWING ANGLE	178°	BUILT
RTED	VERTICAL VIEWING ANGLE	178°	MONO
RTED	TUNER SUPPORTS	ATSC, Terrestrial with Clear QAM, NTSC	LGAM
RTED	HDMI INPUT	3	0-CH
RTED	COMPOSITE VIDEO INPUT	1	ALTER
RTED	USB PORT SUPPORTS .JPEG	1	TEXT
RTED	ANTENNA/CABLE	1	YESA
RTED	HEADPHONE OUTPUT	YES	YESA

NS-50DF710NA19



## [50" 4K Ultra HD LED TV NS-50DF710NA19 Specifications Manual](#)

50" LED TV | 4K ULTRA HD NS-50DF710NA19 VOICE REMOTE WITH ALEXA A...

## [Insignia 4K Ultra HD 50" LED Roku TV Specifications Manual](#)

Features 4K UHD picture quality 4K Ultra HD video offers 4x the resolution of 1080p HD Personalize your...

## [TESLA M610BUS 70 Inch 4K Ultra HD TV User Guide](#)

TESLA M610BUS 70 Inch 4K Ultra HD TV COMPONENTS Tesla Smart Ultra HD LED TV Remote control (x1)...