

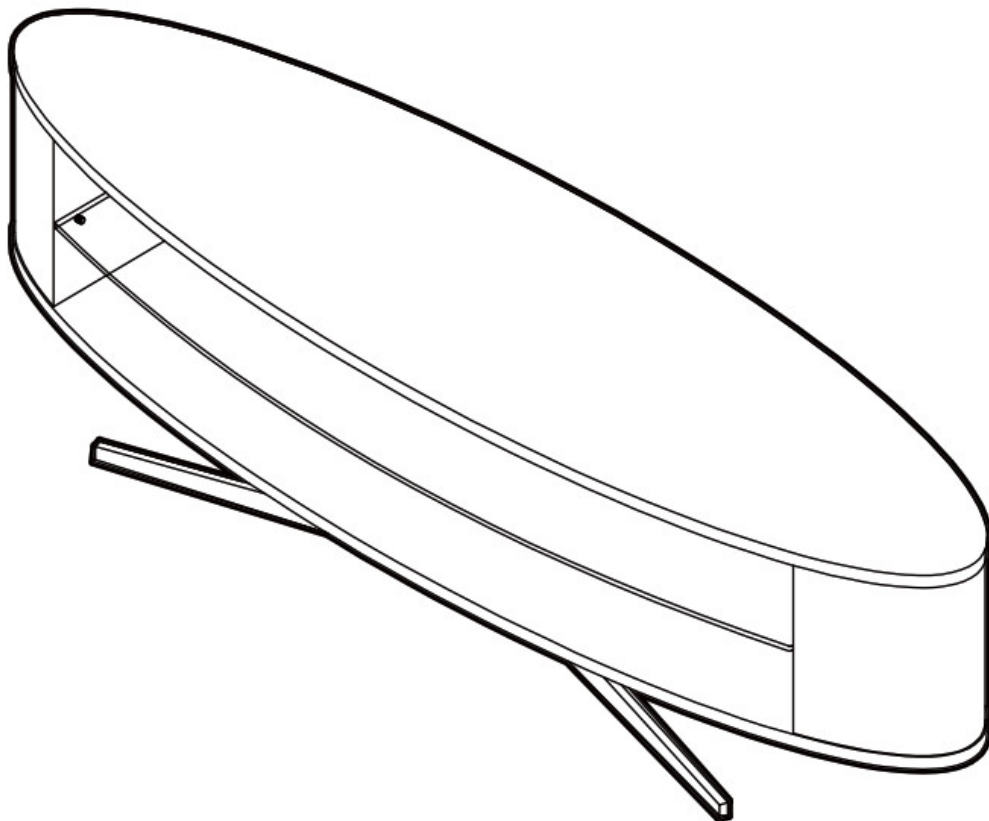


TECHLINK ELLIPSE Instructions

[Home](#) » [TECHLINK](#) » TECHLINK ELLIPSE Instructions 



Product Name: ELLIPSE
Product Ref: EL140
Art number: 405740/41/42/43





= 10mins

TECHLINK, A Division Of Tapehand Ltd. Units 7 and 8
Bat and Ball Enterprise Centre
Bat and Ball Road Sevenoaks Kent United Kingdom TN14 5LJ

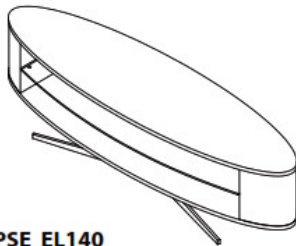


(UK)Free Phone 0800 634 2699
(US)Toll-Free (844) 499-1159

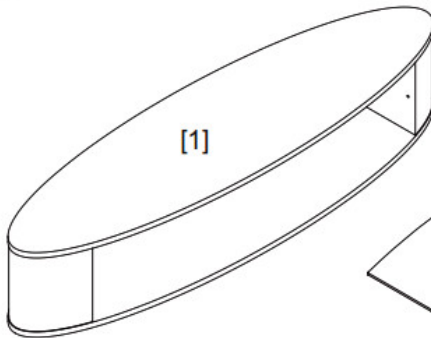
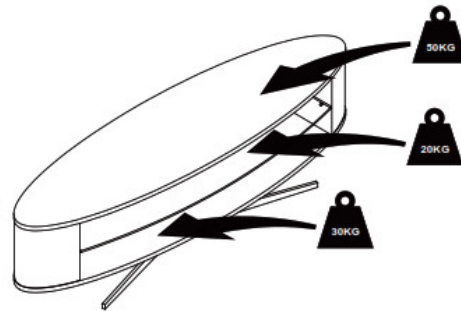


Web

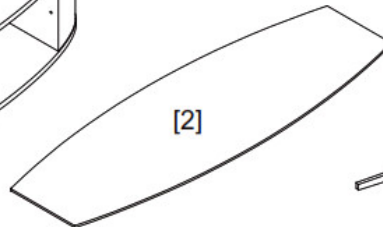
spares@techlink.ukwww.techlink.uk
www.recharge.uk.com



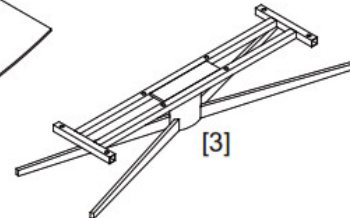
ELLIPSE EL140



[1]



[2]



[3]



[A] x 4



[B] x8



[C] x 8



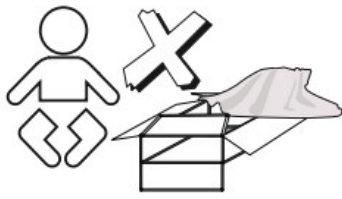
[D] x 1



Protect the top surface of the unit when constructing to prevent scratching!
Take extra care not to over-tighten any screws as this may cause damage!




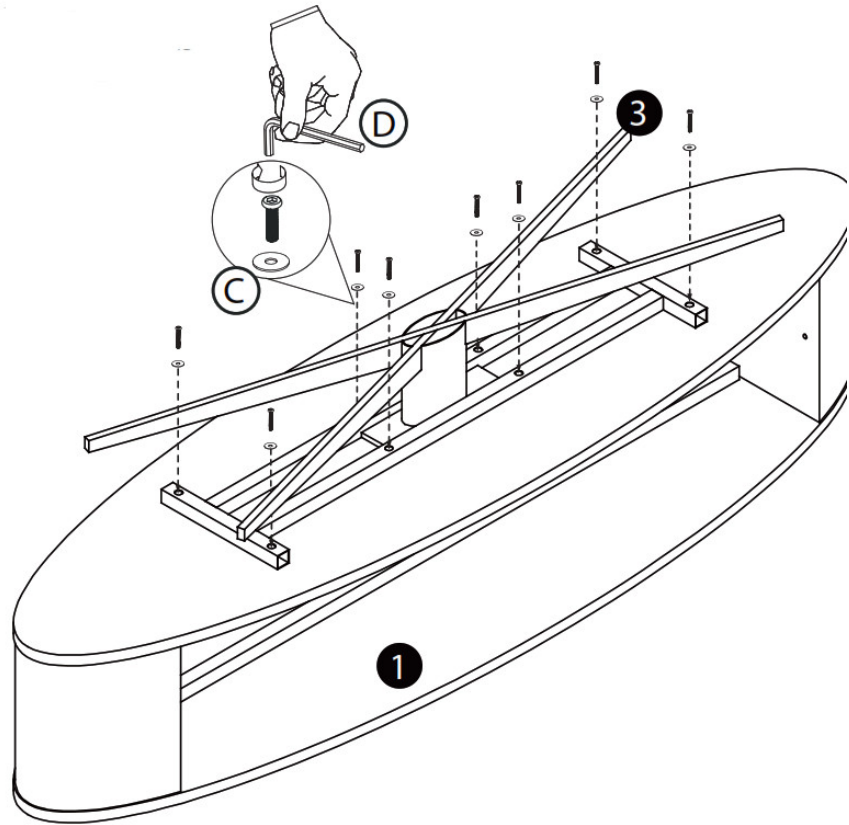
Take extra care not to over-tighten any screws as this may cause damage!



(B)  x8

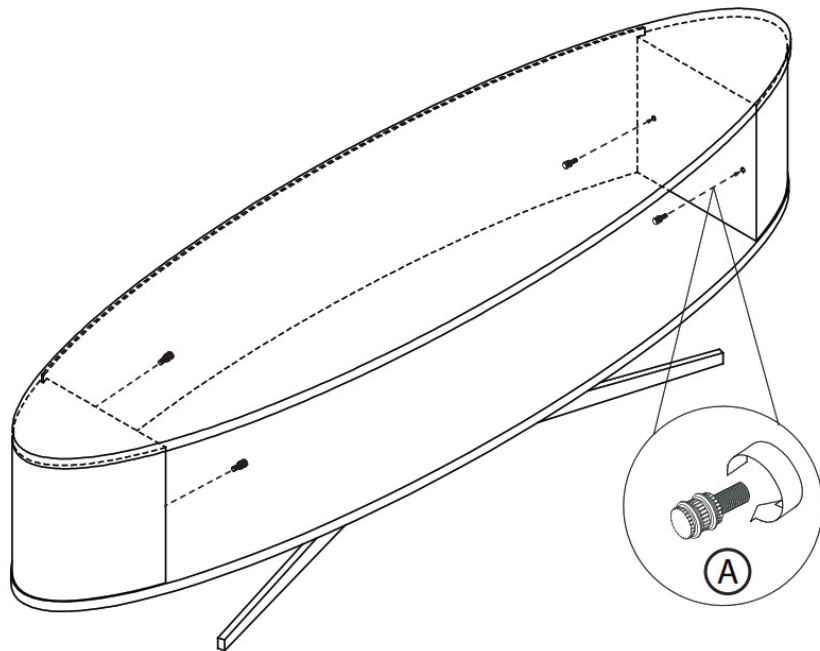
(C)  x8

(D) 

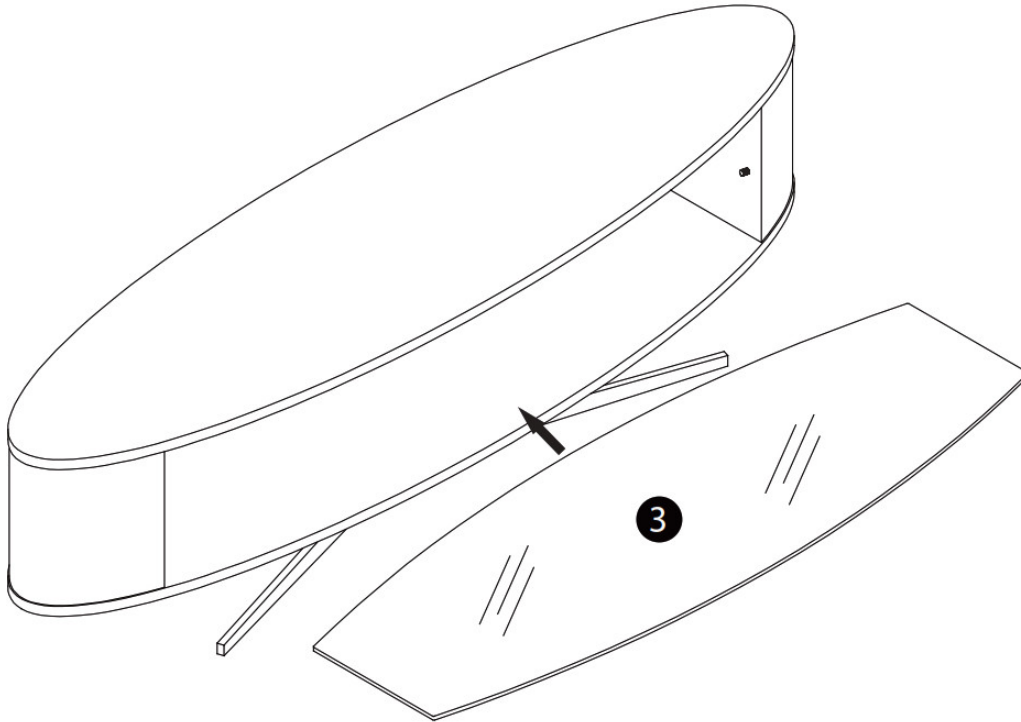


2.

(A)  x4



3.



EL140 REV1

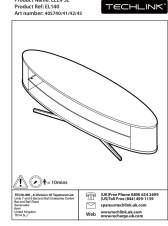
Contents

[1 Documents / Resources](#)

[1.1 References](#)

[2 Related Posts](#)

Documents / Resources

 <p>Product Name: ELLIPSE Product Part: EL140 Art Number: 462762/1/12 41</p> <p>TECHLINK</p> <p>© 2012 Techlink All Rights Reserved</p> <p>10000 10000 10000</p> <p>10000 10000 10000</p>	<p>TECHLINK ELLIPSE [pdf] Instructions TECHLINK, EL140, ELLIPSE</p>
---	---

References

- [UK.COM](#)
- [Best Covers Healthy Tips for Women and Family's Lifestyle!](#)