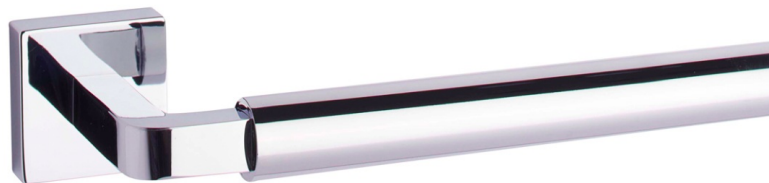




Taymor 04-32918 Suite And Simple Towel Bar Owner's Manual

[Home](#) » [taymor](#) » Taymor 04-32918 Suite And Simple Towel Bar Owner's Manual 

Taymor 04-32918 Suite And Simple Towel Bar Owner's Manual



Contents

- [1 FEATURES](#)
- [2 INSTALLATION](#)
- [3 STOCKED FINISHES](#)
- [4 SPECIAL ORDER FINISHES](#)
- [5 HOW TO SPECIFY SPECIAL ORDER FINISHES](#)
- [6 TOWEL BAR](#)
- [7 TOWEL RING](#)
- [8 PAPER HOLDER \(RIGHT HAND INSTALLATION\)](#)
- [9 DOUBLE TOWEL BAR](#)
- [10 Warranty](#)
- [11 CUSTOMER SERVICE](#)
- [12 Documents / Resources](#)
 - [12.1 References](#)
- [13 Related Posts](#)

FEATURES

- One-piece design
- Brass construction
- Concealed screw mount

INSTALLATION

- Mounting hardware kit (plates, nylon anchors, and steel
- Phillips head screws) included
- Mounting plates: 1-7/16" x 5/8" (37 mm x 16 mm)

TOWEL BAR



ROBE HOOK



PAPER HOLDER



TOWEL RING



DOUBLE TOWEL RING



STOCKED FINISHES

-  Polished Chrome (PC)

- Matte Black (BLK)

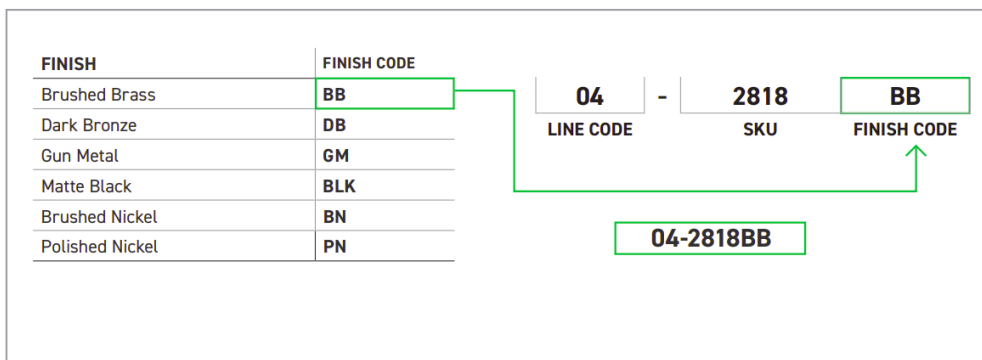
SPECIAL ORDER FINISHES

- Brushed Nickel (BN)
- Polished Nickel (PN)

BOX PACK	POLISHED CHROME	MATTE BLACK	MATERIAL
18" Towel Bar	04-32918	04-32918BLK	Brass Brass
24" Towel Bar	04-32924	04-32924BLK	
Double Robe Hook	04-32902	04-32902BLK	Brass
Paper Holder	04-32948	04-32948BLK	Brass
Towel Ring	04-32904	04-32904BLK	Brass/Stainless Steel
Double Towel Ring	04-32907D	04-32907DBLK	Brass/Stainless Steel

HOW TO SPECIFY SPECIAL ORDER FINISHES

Please contact your Taymor Sales Representative for pricing, samples, and minimum order quantities. To determine the item code for a special order finish product, simply add the finish code at the end of the product SKU as shown below.



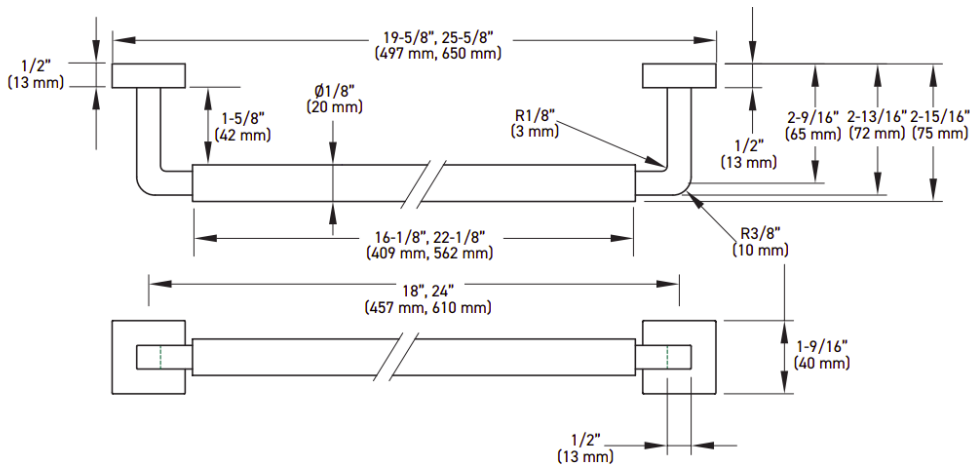
Example of the item codes for the Astral Bath Collection's Towel Bars in Brushed Brass:

FUNCTIONS	LINE CODE	SKU	FINISH CODE	ITEM CODE
10" Towel Bar	04	2810	BB	04-2810BB
18" Towel Bar	04	2818	BB	04-2818BB
24" Towel Bar	04	2824	BB	04-2824BB
30" Towel Bar	04	2830	BB	04-2830BB

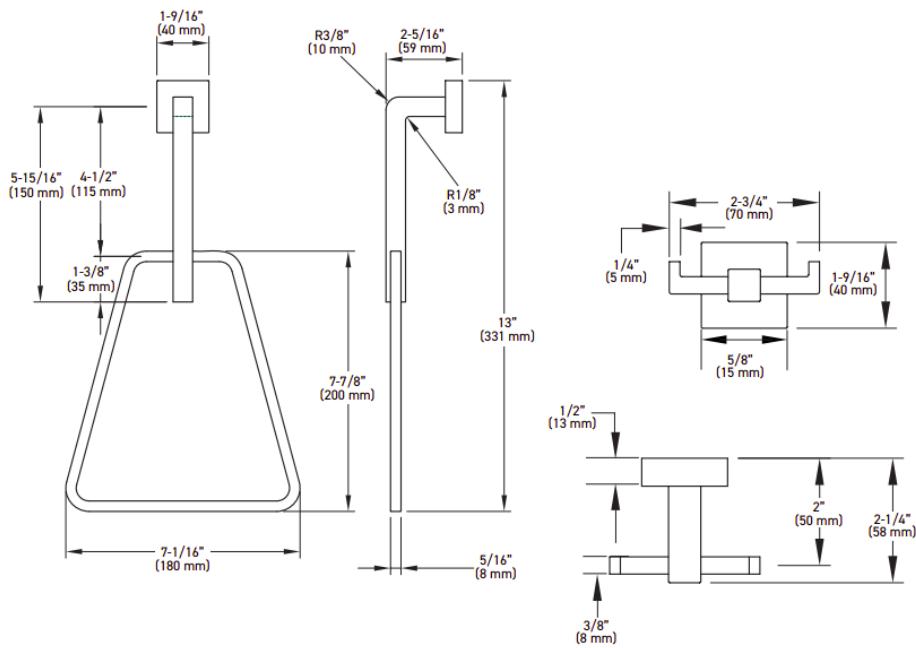
ADDITIONAL DETAILS

- Special order products are not eligible for return or exchange
- Lead times may vary
- Minimum order quantities apply

TOWEL BAR

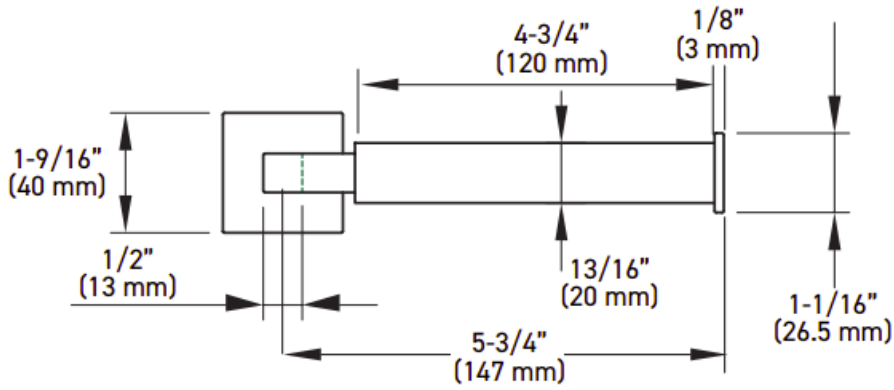
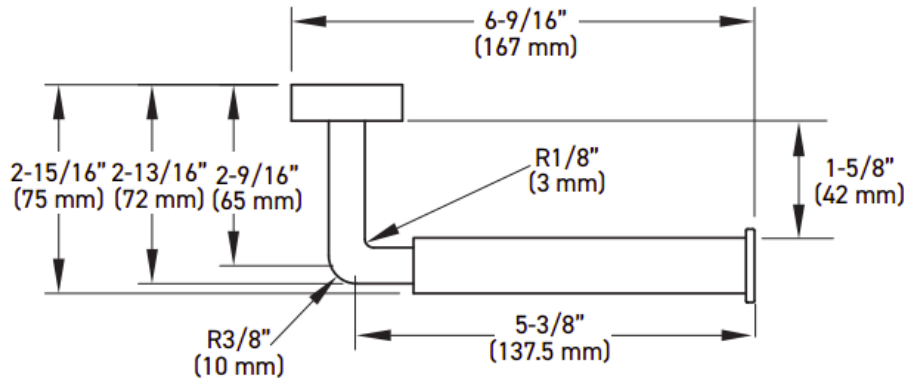


TOWEL RING

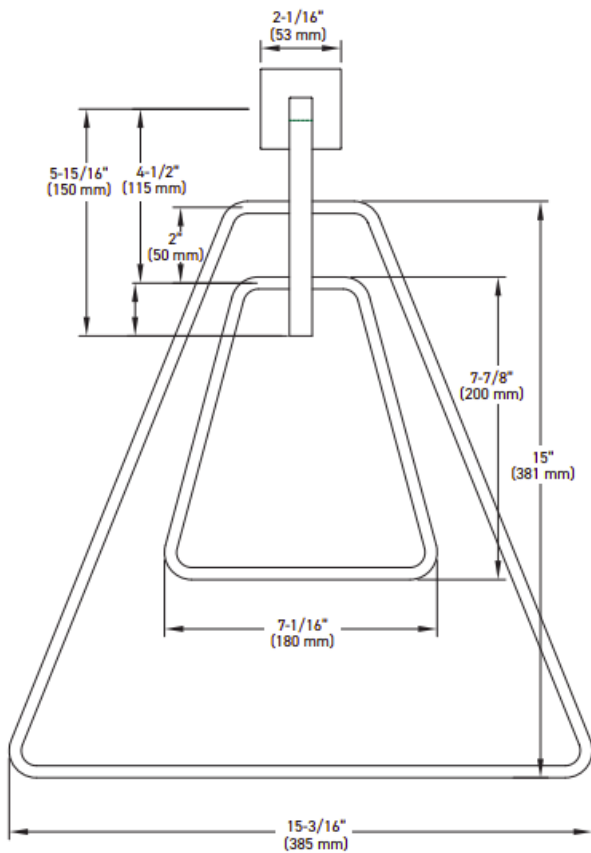


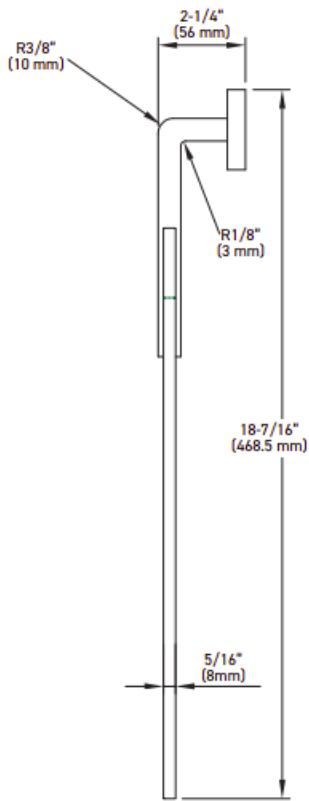
MEASUREMENTS SUBJECT TO A 3% VARIANCE. MEASUREMENTS ARE FOR REFERENCE ONLY. TAYMOR RESERVES THE RIGHT TO CHANGE PRODUCT SPECS WITHOUT NOTICE.

PAPER HOLDER (RIGHT HAND INSTALLATION)



DOUBLE TOWEL BAR





MEASUREMENTS SUBJECT TO A 3% VARIANCE. MEASUREMENTS ARE FOR REFERENCE ONLY. TAYMOR RESERVES THE RIGHT TO CHANGE PRODUCT SPECS WITHOUT NOTICE.

Warranty

For product warranty information, please visit taymor.com for details



CUSTOMER SERVICE

WEST 1-[800-267-4774](tel:8002674774) |

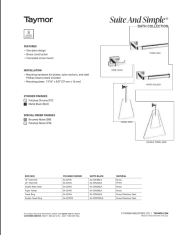
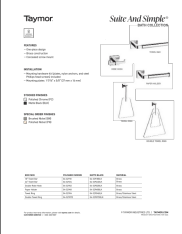
EAST 1-[800-387-7064](tel:8003877064)

© TAYMOR INDUSTRIES LTD. | TAYMOR.COM

PRODUCT SPECIFICATIONS MAY 2024

Taymor®

Documents / Resources

	<p>Taymor 04-32918 Suite And Simple Towel Bar [pdf] Owner's Manual 04-32918, 04-32924, 04-32902, 04-32948, 04-32904, 04-32907D, 04-32918 Suite And Simple Towel Bar, 04-32918, Suite And Simple Towel Bar, Simple Towel Bar, Towel Bar, Bar</p>
	<p>Taymor 04-32918 Suite and Simple Towel Bar [pdf] Owner's Manual 04-32918, 04-32918 Suite and Simple Towel Bar, Suite and Simple Towel Bar, Simple Towel Bar, Towel Bar, Bar</p>

References

-  [Taymor](#)
- [User Manual](#)

[Manuals+](#), [Privacy Policy](#)

This website is an independent publication and is neither affiliated with nor endorsed by any of the trademark owners. The "Bluetooth®" word mark and logos are registered trademarks owned by Bluetooth SIG, Inc. The "Wi-Fi®" word mark and logos are registered trademarks owned by the Wi-Fi Alliance. Any use of these marks on this website does not imply any affiliation with or endorsement.