



## TAOTRONICS TT-BA08 Wireless 2 In 1 Adapter User Guide

[Home](#) » [TaoTronics](#) » TAOTRONICS TT-BA08 Wireless 2 In 1 Adapter User Guide 

### Contents

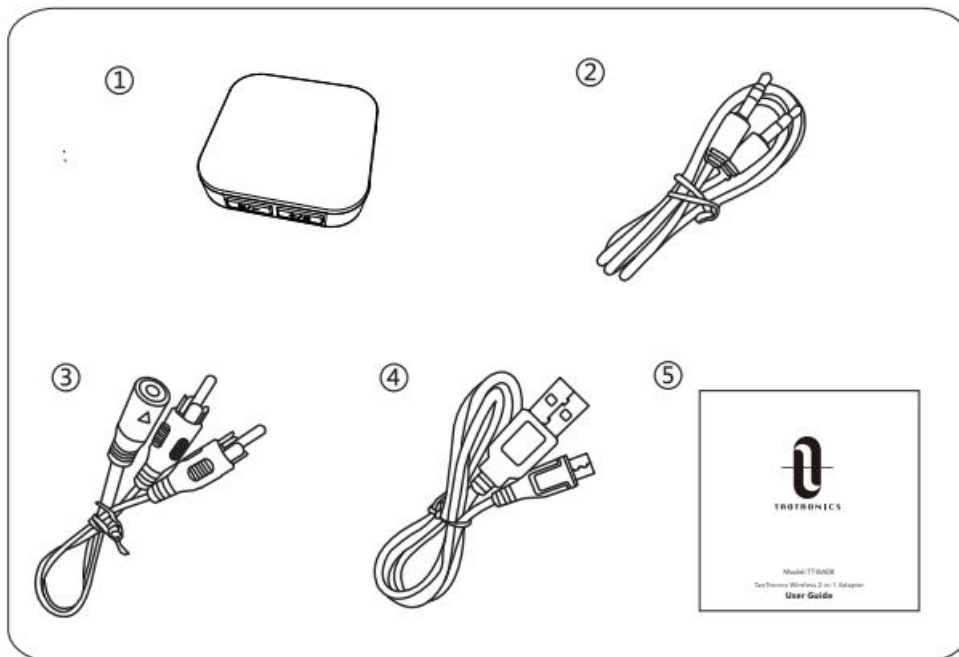
- [1 TAOTRONICS TT-BA08 Wireless 2 In 1 Adapter](#)
- [2 Package Contents](#)
- [3 Control Functions](#)
- [4 LED Indicators](#)
- [5 How to Use](#)
  - [5.1 Charging](#)
  - [5.2 Pairing](#)
- [6 Pair with two devices at the same time](#)
- [7 BLUE TOOTH](#)
- [8 WEEE Compliance](#)
- [9 Documents / Resources](#)
  - [9.1 References](#)
- [10 Related Posts](#)



**TAOTRONICS TT-BA08 Wireless 2 In 1 Adapter**

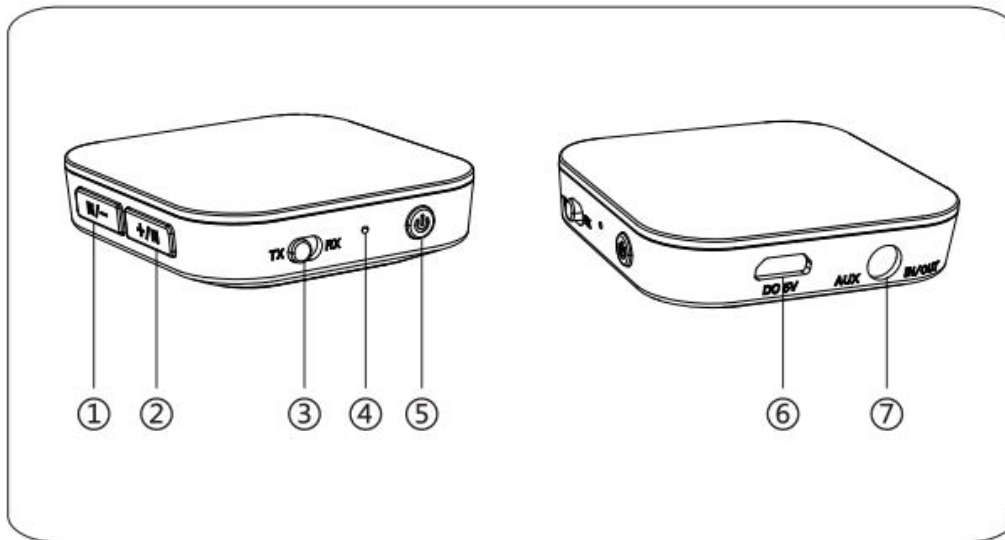


## Package Contents



1. TaoTronics Wireless2-in-1 Adapter (Model: TT-BA08)
2. 3.5mm Audio Cable
3. 3.5mm Female to 2 RCA Male Cable
4. USB Charging Cable
5. User Guide

## Package Contents



1. Volume – / Previous Track
2. Volume + / Next Track
3. Transmitter (TX) / Receiver (RX) Mode Switch
4. LED Indicator
5. Power Button
6. Charging Port
7. 3.5mm Audio Port

Thank you for choosing the TaoTronics TT-BA08 Wireless 2-in-1 Adapter. Please read this guide carefully and keep it in a safe place for future reference. If you need any further assistance, please contact our customer support team at [support@taotronics.com](mailto:support@taotronics.com)

## Control Functions

Function	Operation
Power On / Off	Press and hold the Power Button for 3 seconds
Pairing	When powered on, press the Power Button twice to start pairing
Mode Switch	Slide the Mode Switch to and from TX and RX
Play / Pause	In RX mode, press the Power Button once to play / pause music
Volume + / –	In RX mode, press and hold the Volume + / – Button
Next / Previous Track	In RX mode, press the Volume + / – Button once

**Note:** The mode can only be successfully switched after the adapter is turned off for 5 seconds. After the switch, the pairing history of the devices will be cleared.

If the TT-BA08 cannot pair with your Bluetooth device, please turn the device off for 5 seconds and then switch it from RX mode to TX mode. Turn the device off again and then after 5 seconds, switch it back to RX mode.

## LED Indicators

LED Indicator	Status
Solid Red LED	Charging
LED Off	Fully charged
Flashing Red and Blue	Pairing in TX / RX mode
Flashing Red	Low battery
Solid Blue LED	Successfully paired
Flashing Blue	Powered on but not paired with <i>Bluetooth</i> ® devices

## How to Use

### Charging

1. Use a micro USB cable and connect the adapter to any active USB port.
2. The LED indicator will turn red when charging. It will automatically turn off when the device is fully charged.

**Note:** We recommend charging the unit for at least 2 hours before using it for the first time.

### Pairing

#### Pair in TX mode:

1. Set the TT-BA08 to TX mode and connect it to your Non- Bluetooth® audio transmitting device.
2. Place your Bluetooth® audio receiving device, like earphones/speakers, within a 3 feet / 1-meter range and set it to pairing mode.
3. Turn on the TT-BA08 and tap the power button twice to enter pairing mode. After approximately 10 seconds, pairing will complete.

#### Pair in RX mode:

1. Set the TT-BA08 to RX mode and connect it to your non-Blue-tooth® audio receiving device.
2. Turn on the TT-BA08 and tap the power button twice to enter pairing mode.
3. Activate the Bluetooth® function on your transmitting device – phone / tablet, and search for the nearby Bluetooth® devices.
4. Find “TaoTronics TT-BA08” in the search results and tap on it to connect. Once connected, the LED indicator

will turn solid blue.

**Note:**

- The adapter will enter pairing mode automatically when powered on for the first time.
- The original pairing memory will be cleared after a mode switch. It will automatically start pairing each time it's powered on.
- The adapter can remember previously paired devices and will attempt to pair with devices automatically, without going into pairing mode.

**Pair with two devices at the same time**

**In TX mode:**

In TX mode, the adapter is able to pair with two Bluetooth® stereo earphones/speakers at the same time.

1. Follow the previous instructions in the “Pairing” section to pair the TT-BA08 with your first device.
2. Turn off the Bluetooth® function on your first device, tap the Power Button twice to pair and connect to your second device.
3. Turn on the Bluetooth® function on your first device. In approximately 10 seconds, the first device will automatically connect in.

**Note:**

- When you pair with two devices, both can play music at the same time.
- The adapter will automatically re-pair when powered on.

**In RX mode:**

In RX mode, the adapter is able to pair with two Bluetooth® devices at the same time.

1. Follow previous instructions in the “Pairing” section to pair the TT-BA08 with your first device. Disable the Bluetooth® function on your first device. Tap the Power Button twice to pair with the second device.
2. Turn on the Bluetooth® of the first device, now TT-BA08 adapter is successfully paired with both devices.

**Note:**

- Only one device can play music at any time. You have to stop the music on one device to play on the other.
- The adapter will automatically re-pair when powered on.

**BLUE TOOTH**

The Bluetooth® word mark and logos are registered trademarks owned by the Bluetooth SIG, Inc. and any use of such marks by Sunvalleytek International Inc. is under license. Other trademarks and trade names are those of their respective owners.

**NOTE:** This equipment has been tested and found to comply with the limits for a Class B digital device, pursuant to part 15 of the FCC Rules. These limits are designed to provide reasonable protection against harmful interference in a residential installation. This equipment generates uses and can radiate radio frequency energy and, if not installed and used in accordance with the instructions, may cause harmful interference to radio

communications. However, there is no guarantee that interference will not occur in a particular installation. If this equipment does cause harmful interference to radio or television reception, which can be determined by turning the equipment off and on, the user is encouraged to try to correct the interference by one or more of the following measures:

- Reorient or relocate the receiving antenna.
- Increase the separation between the equipment and receiver.
- Connect the equipment into an outlet on a circuit different from that to which the receiver is connected.
- Consult the dealer or an experienced radio/TV technician for help

Changes or modifications not expressly approved by the party responsible for compliance could void the user's authority to operate the equipment. This device complies with Part 15 of the FCC Rules. Operation is subject to the following two conditions:


1. this device may not cause harmful interference, and
2. this device must accept any interference received, including interference that may cause undesired operation.

## WEEE Compliance

Correct Disposal of This Product (Waste Electrical & Electronic Equipment) (Applicable in countries with separate collection systems)

This marking on the product, accessories or literature indicates that the product and its electronic accessories should not be disposed of with other household waste at the end of their working life. To prevent possible harm to the environment or human health from uncontrolled waste disposal, please separate these items from other types of waste and recycle them responsibly to promote the sustainable reuse of material resources. Household users should contact either the retailer where they purchased this product, or their local government office, for details of where and how they can take these items for environmentally safe recycling. Business users should contact their supplier and check the terms and conditions of the purchase contract. This product and its electronic accessories should not be mixed with other commercial wastes for disposal

## Documents / Resources

	<a href="#">TAOTRONICS TT-BA08 Wireless 2 In 1 Adapter</a> [pdf] User Guide TT-BA08 Wireless 2 In 1 Adapter, TT-BA08, Wireless 2 In 1 Adapter
---	--

## References

- [TaoTronics Official Site - Technology Enhances Life](#)
- [User Manual - TaoTronics](#)