

Swann Spotlight Outdoor Security Camera User Guide

[Home](#) » [Swann](#) » Swann Spotlight Outdoor Security Camera User Guide

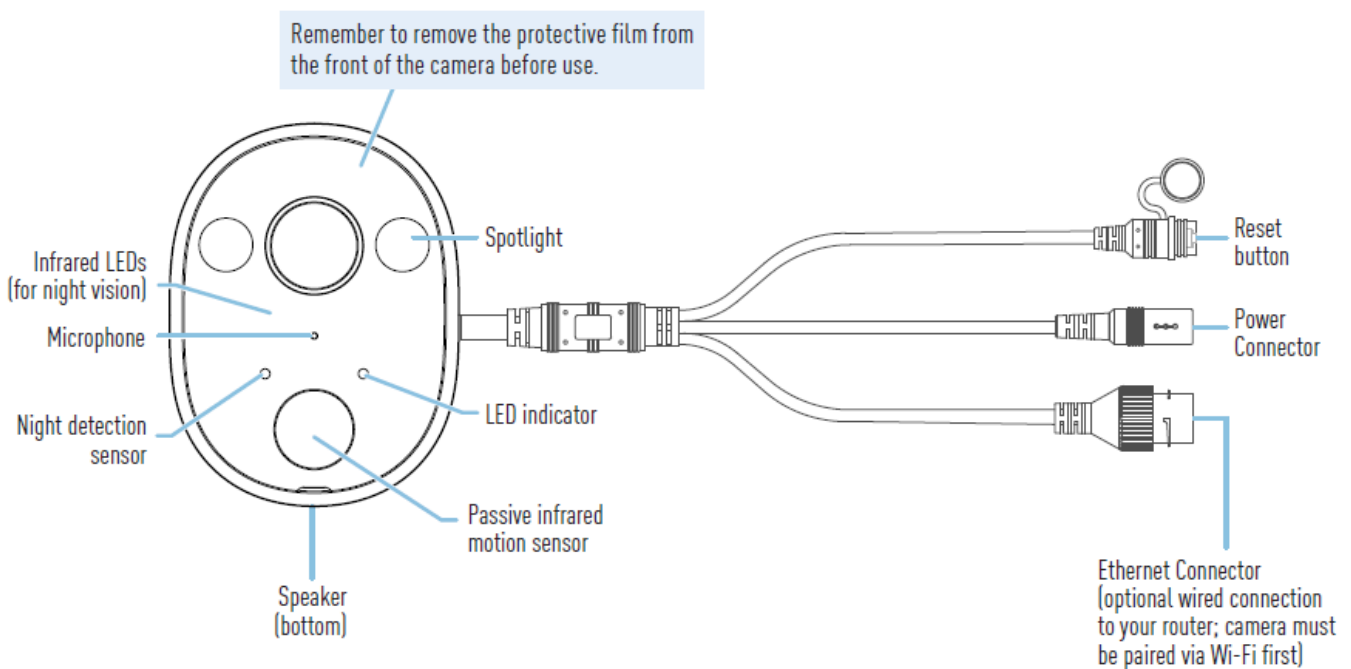
Contents [[hide](#)]

- 1 Swann Spotlight Outdoor Security Camera User Guide
- 2 CAMERA OVERVIEW
- 3 POWER THE CAMERA
- 4 GET THE SWANN SECURITY APP
- 5 SET UP THE CAMERA
- 6 MOUNT THE CAMERA
- 7 TIPS
 - 7.1 Motion detection
 - 7.2 LED indicator guide
- 8 Documents / Resources
 - 8.1 References
- 9 Related Posts

Swann Spotlight Outdoor Security Camera User Guide

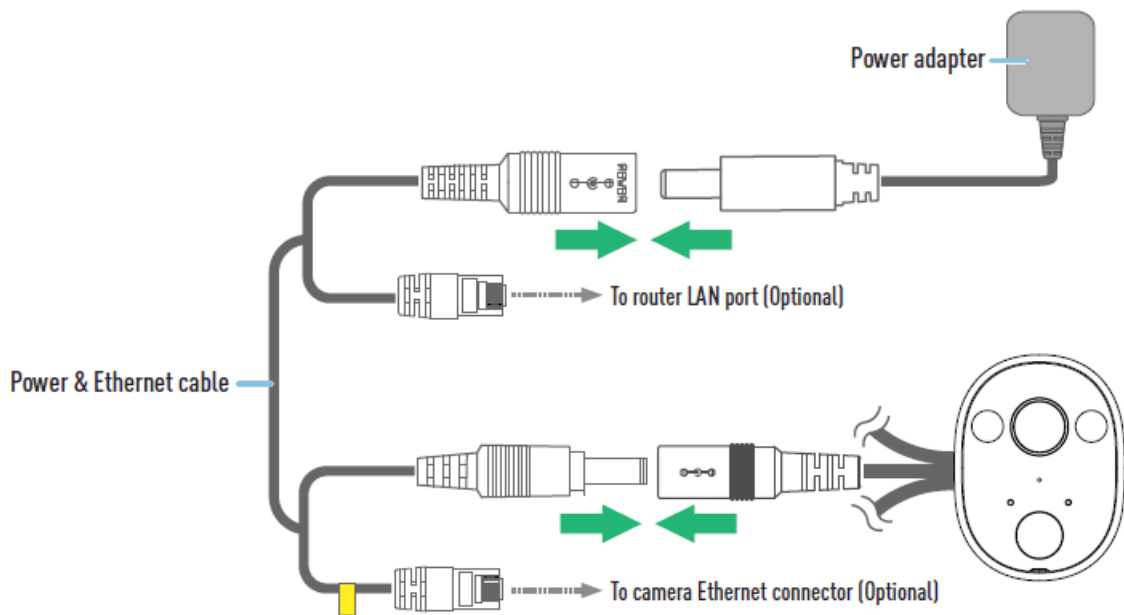
SWIFI-SPOTCAM

CAMERA OVERVIEW




POWER THE CAMERA

Connect the camera to the power adapter using the power & ethernet cable, then plug the power adapter to a power outlet, as shown below. Make sure the camera is within range of the Wi-Fi network to which you want to connect.




GET THE SWANN SECURITY APP

1. Download the latest version of the **Swann Security**  app from the Apple App Store® or Google Play™ Store on your iOS or Android device. Simply search for “Swann Security”.
2. Open the app and create your Swann Security account. You will need to activate your account by confirming the email sent to the registered email account before you can sign in.

Welcome to Swann
Sign in or register

Your email address

Your password _____ 

Remember me

Sign In

[Forgot Password?](#)

Not yet registered? [Register](#)

By using this app you agree with [terms and services](#)
[Please read our privacy policy](#)


Cancel Next

Let's get started.

First name


Last name

SET UP THE CAMERA

Launch the Swann Security app and sign in. Tap the Pair Device button on the screen (or open Menu  and select Pair Device) and follow the in-app instructions to set up your new camera. Before you begin, be close to your router or access point and have your Wi-Fi network information (including password) handy. Please note that the camera can connect to a 2.4GHz Wi-Fi network only.

Welcome to Swann
Sign in or register

Your email address
johnsmith@swann.com

Your password ●●●●●● 



Remember me


Sign In

[Forgot Password?](#)




Not yet registered? [Register](#)

By using this app you agree with [terms and services](#)
[Please read our privacy policy](#)



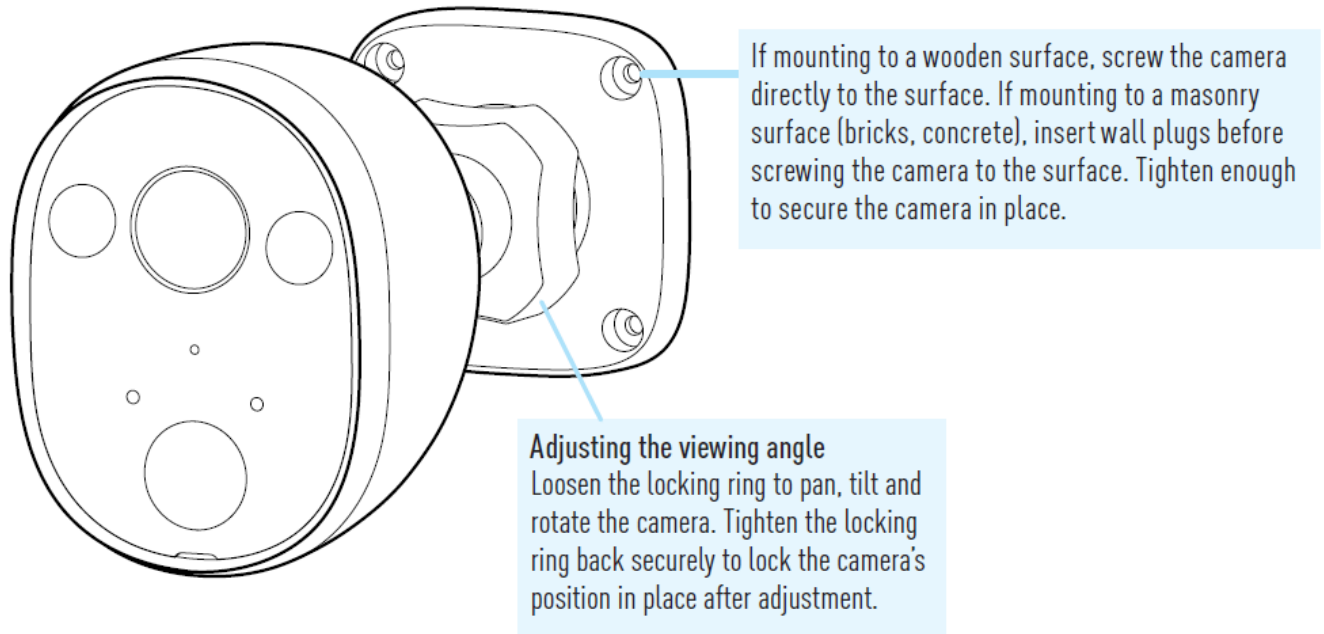
Pair Device

Capture Playback Live View Record

MOUNT THE CAMERA

The camera can be mounted on a flat surface using the included screws (and wall plugs). For best performance, make sure the camera location has good, reliable Wi-Fi reception available. Using the app, try streaming live video from the camera there. If you don't experience any streaming issues (buffering, etc), you've found a good place for your device. As a general rule, the nearer your camera is to your Wi-Fi router, the better the wireless connection quality. You can boost the Wi-Fi coverage of your existing network by installing a Wi-Fi range extender.



TIPS

Motion detection

The camera's PIR motion sensor detects heat signatures of moving objects. You'll generally get good detection results by pointing the camera downwards at an angle where people will be moving across the coverage area before heading directly towards the camera.

LED indicator guide

The LED light on the front of your camera helps inform you of what is happening with the device.

- **Solid Red:** Live streaming / Motion recording
- **Slow Blinking Blue:** Wi-Fi Pairing mode
- **Fast Blinking Blue:** Connecting to Wi-Fi

Have questions?

We're here to help! Visit our Support Center at support.swann.com. You can register your product for dedicated technical support, find answers to commonly asked questions, and more. You can also email us at any time via: tech@swann.com

Documents / Resources

References

- [EU Full Declaration of Conformity UK](#)

Related Posts



[Swann Spotlight Outdoor Security Camera SWIFI-SPOTCAM User Manual](#)

Swann Spotlight Outdoor Security Camera SWIFI-SPOTCAM User Manual - Optimized PDF Swann Spotlight Outdoor Security Camera SWIFI-SPOTCAM User...

[wansview W4 Outdoor Security Camera User Guide](#)

W4 Outdoor Security Camera



[BOSMA X1 360 Security Camera User Guide](#)

BOSMA X1 360 Security Camera User Guide Download The App Download "Bosma" from Google Play or App Store....



[Swann Pro-Series HD1080P Security Camera User Manual](#)

Swann Pro-Series HD1080P Security Camera User Manual Swann Pro-Series HD1080P Security Camera User Manual Thermal-Sensing Security CamerasHigh-Accuracy Motion...