



# SuperFish Aqua LED Spot 14W LED Spot for Open Aquariums with High Light Output Instruction Manual

[Home](#) » [SuperFish](#) » SuperFish Aqua LED Spot 14W LED Spot for Open Aquariums with High Light Output Instruction Manual 

## Contents

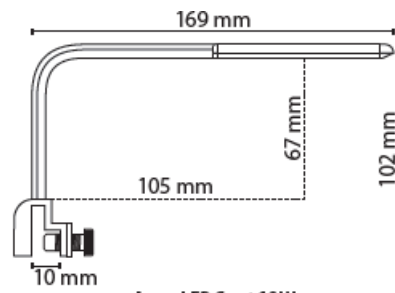
- [1 Aqua LED Spot 14W LED Spot for Open Aquariums with High Light Output](#)
  - [1.1 Translation of original manual. General instructions](#)
  - [1.2 General instructions](#)
  - [1.3 Function](#)
  - [1.4 Installation](#)
  - [1.5 Maintenance](#)
  - [1.6 Recycling](#)
  - [1.7 Warranty](#)
- [2 Documents / Resources](#)
  - [2.1 References](#)
- [3 Related Posts](#)

**Aqua LED Spot 14W LED Spot for Open Aquariums with High Light Output**

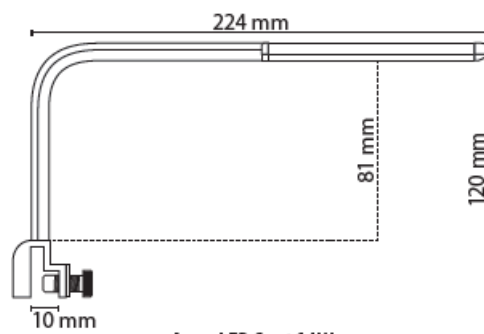


**Aqua LED Spot  
10W – 14W  
Aquarium lighting**

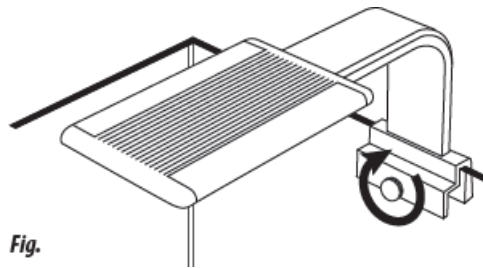
**Translation of original manual.  
General instructions**



**Aqua LED Spot 10W**



**Aqua LED Spot 14W**



## General instructions

Read this manual carefully before using this device. Keep this manual for future reference.

Meaning of symbols The following warning symbols and/or signal words are used in this manual:

### **DANGER!**

This means an imminent danger due to electric current. Failure to follow the safety instructions can result in serious or fatal injury and/or serious damage to the product or environment.

### **WARNING!**

This means a dangerous situation. Failure to follow the safety instructions can result in moderate or minor personal injury and/or damage to the product or environment.

### **NOTICE!**

This means caution, useful information or advice.

Meaning of the symbols on the device itself:

This device may only be used inside the house for aquarium purposes.

This device has protection class III.

This device is waterproof.

This device complies with all applicable EU standards.

This device may not be disposed of with normal household waste but must be collected separately for recycling.

## **Use**

Only suitable for indoor use for aquarium purposes.

## **Safety**

Always follow the safety instructions below for safe use of the device. Failure to follow these instructions may endanger persons or the environment.

- This device must be protected by an earth leakage relay breaker with a leakage current of a maximum of 30mA.
- Ensure the voltage shown on the label matches the mains supply voltage.
- Protect the socket and plug against moisture. Use a drip loop to ensure that water cannot reach the socket, adapter, switch and cable connector via the power cord.
- Don't use the product if the device, cord or plug is damaged. Return the device to your dealer for repair or recycling.
- Be careful with the combination of water and electricity. Do not operate with wet hands. Dry hands before carrying out maintenance.
- Always switch off all devices in the aquarium before maintenance. Disconnect the plug(s) from the socket.
- Do not immerse the LED lighting in water. Although the lighting is waterproof, there must be at least 15 mm distance between the lighting and the water surface.
- Install the LED lighting correctly above the aquarium. Only then plug in the mains plug.

- If the lighting falls into the water, first pull the plug out of the socket. Then lift the lighting on the cord out of the water.
- NOTICE! The LED lighting becomes warm. Allow the lighting to cool down before carrying out maintenance.
- This device can be used by children aged from 8 years and above, persons with reduced physical, sensory or mental capabilities or lack of experience and knowledge, if they have been given supervision or instructions concerning the use of the device in a safe way and understand the hazards involved. Children shall not play with the device. Cleaning and maintenance of the device shall not be done by children without supervision.
- Modifications to the device may affect the safety. The warranty will also expire.

## **Function**

The Aqua LED Spot is a spot lighting for open aquariums. Suitable for tropical and cold water aquariums with a glass thickness up to 10 mm.

## **Installation**

Fig. Attach the lamp clamp to the aquarium glass and tighten it securely. Connect the cable of the lamp to the adapter and put the plug in the socket.

## **Maintenance**

- Clean the lighting regularly with a damp cloth. This extends the longevity and improves the light output.
- The LEDs cannot be replaced. Replace the lighting if the LEDs no longer work. For maintenance of the aquarium you can tilt the LED lighting up.

## **Recycling**

This symbol indicates that this product (if it is discarded) may not be disposed of with normal household waste. Instead it must be handed in at an official collection centre (e.g. HWRC). Or can be returned to the dealer when purchasing a similar new product. Follow the applicable rules in your country for the separate collection of electrical and electronic products. Separate collection and recycling are better for the environment, public health and reduces waste.

## **Warranty**

2 years manufacturer's warranty on materials and construction defects. Devices must be returned complete with all components, accompanied with an official proof of purchase confirming a purchase date for any warranty claims. Incomplete devices of which parts are missing, and devices without proof of purchase are not eligible for warranty. After receiving and checking, we will determine whether the device will be repaired or replaced. For a device repaired or replaced under warranty, the remaining time of the original warranty period applies. Carefully read the instructions on installation, use and maintenance. Damage due to incorrect use, damage due to immersion in water, damage due to contamination or not cleaning the device and damage to the cord are not covered by the warranty. Always keep the proof of purchase, without proof of purchase the warranty will be void!

## **Documents / Resources**



[SuperFish Aqua LED Spot 14W LED Spot for Open Aquariums with High Light Output](#) [pdf]

f] Instruction Manual

Aqua LED Spot 10W, Aqua LED Spot 14W, LED Spot for Open Aquariums with High Light Output, Aqua LED Spot 14W LED Spot for Open Aquariums with High Light Output

## References

- [Aquadistri - Your One Stop Supplier For Aquarium and Pond](#)

[Manuals+](#)