



StarTech CPUMOBILESTND Computer Tower Cart Instructions

[Home](#) » [StarTech](#) » StarTech CPUMOBILESTND Computer Tower Cart Instructions 

Contents

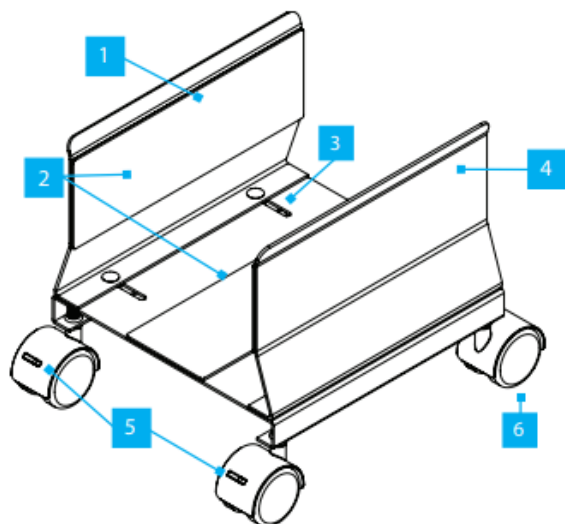
- [1 StarTech CPUMOBILESTND Computer Tower Cart Instructions](#)
- [2 Product ID](#)
- [3 CPUMOBILESTND](#)
- [4 Package Contents](#)
- [5 Requirements](#)
- [6 Installation](#)
- [7 Assemble the Mobile CPU Stand](#)
 - [7.1 Operation](#)
 - [7.2 Adjust the Width](#)
 - [7.3 Regulatory Compliance](#)
 - [7.3.1 Use of Trademarks, Registered Trademarks, and other Protected Names and Symbols](#)
 - [7.4 Warranty Information](#)
 - [7.5 Limitation of Liability](#)
 - [7.6 Read More About This Manual & Download PDF:](#)
 - [7.7 Documents / Resources](#)
 - [7.7.1 References](#)

StarTech CPUMOBILESTND Computer Tower Cart Instructions



Product ID

CPUMOBILESTND



	Component	Function
1	Left Side Wall	<ul style="list-style-type: none"> Keeps the Computer Case in place
2	Adhesive Foam Pads	<ul style="list-style-type: none"> Helps prevent the Computer Case from slipping
3	Width Adjustment Slots	<ul style="list-style-type: none"> Allow to adjust the width to accommodate different Computer Case sizes
4	Right Side Wall	<ul style="list-style-type: none"> Keeps the Computer Case in place
5	Front Casters	<ul style="list-style-type: none"> Allow for flexible placement of the Mobile CPU Stand Brakes prevent unintended movement
6	Rear Casters	<ul style="list-style-type: none"> Allow for flexible placement of the Mobile CPU Stand

Package Contents

- Casters x 4
- Side Walls x 2
- Base x 1
- Adhesive Foam Pads x 3
- Assembly Screws x 4
- Wing Nuts x 4
- Washers x 4
- Wrench x 1
- Quick-Start Guide x 1

Requirements

For the latest requirements, please visit www.startech.com/CPUMOBILESTND

- Computer case width of 2 to 8.6 in (132 to 220mm)

Installation

—

Assemble the Mobile CPU Stand

1. Carefully remove the adhesive backing of the **Anti-Slip Pads** (x 3). Attach the **Anti-Slip Pads** to the **Left** and **Right Side Walls**, and the top of the **Base**. (Figure 1)

Note: All Adhesive Foam Pads are the same size.

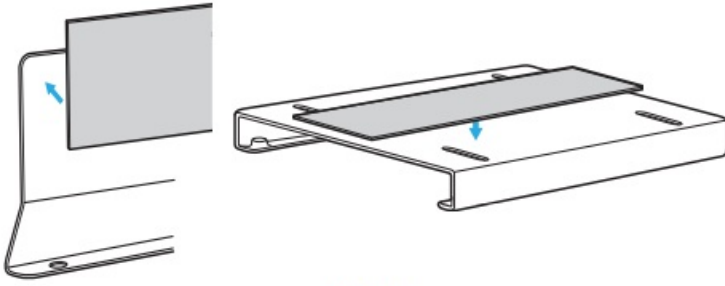


Figure 1

2. Insert the **Assembly Screws** (x 4) through the **Left and Right Side Walls**, and the **Base**.

Insert the **Assembly Screws** (x 4) into the **Washers** (x 4), and the **Wing Nuts** (x 4) rotate the **Wingnut** (x 4) to **Tighten**. (Figure 2).

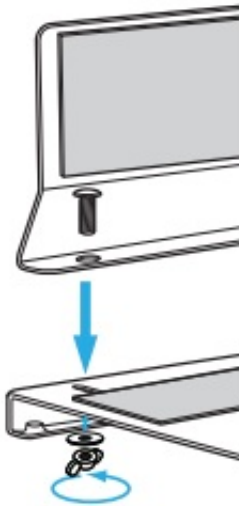


Figure 2

3. Insert the **Casters** into the threaded holes located in each of the **Corners** of the **Base**. Rotate **the Casters** (x 4) to tight Use the **Brake Tabs** on the **Casters** to prevent them from rolling. (Figure 3)

Note: Ensure the *Casters with Brake Tabs* are installed next to each other at the front or rear of the CPU Mobile Stand.

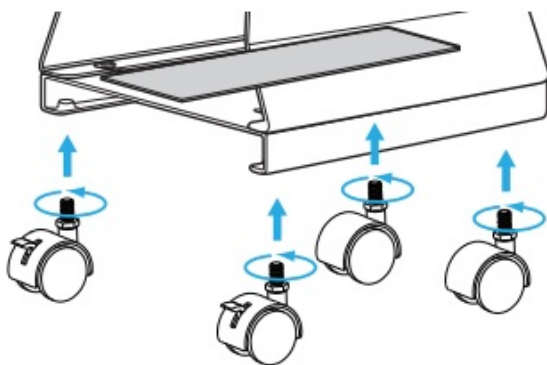


Figure 3

4. Use the **Wrench** to securely **Tighten** the **Casters** (x 4) to the **Base**.

Operation

Adjust the Width

1. Loosen the **Wingnuts** (x 4) just enough to slide the **Left and Right Side Walls** on the **Width Adjustment Slots** towards the **Inside** or **Outside** depending on the width of the **Computer Case**.

2. Rotate the **Wingnuts** (x 4) to tight them and set the desired

Regulatory Compliance

Use of Trademarks, Registered Trademarks, and other Protected Names and Symbols

This manual may make reference to trademarks, registered trademarks, and other protected names and/or symbols of third-party companies not related in any way to StarTech.com. Where they occur these references are for illustrative purposes only and do not represent an endorsement of a product or service by StarTech.com, or an endorsement of the product(s) to which this manual applies by the third-party company in question. StarTech.com hereby acknowledges that all trademarks, registered trademarks, service marks, and other protected names and/or symbols contained in this manual and related documents are the property of their respective holders.

Warranty Information

This product is backed by a 5-year warranty.

For further information on product warranty terms and conditions, please refer to www.startech.com/warranty.

Limitation of Liability

In no event shall the liability of StarTech.com Ltd. and StarTech.com USA LLP (or their officers, directors, employees or agents) for any damages (whether direct or indirect, special, punitive, incidental, consequential, or otherwise), loss of profits, loss of business, or any pecuniary loss, arising out of or related to the use of the product exceed the actual price paid for the product. Some states do not allow the exclusion or limitation of incidental or consequential damages. If such laws apply, the limitations or exclusions contained in this statement may not apply to you.



StarTech.com Ltd.
45 Artisans Crescent
London, Ontario
N5V 5E9
Canada

StarTech.com LLP
4490 South Hamilton
Road
Groveport, Ohio
43125
U.S.A.

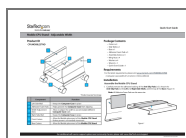
StarTech.com Ltd.
Unit B, Pinnacle 15
Gowerton Road
Brackmills,
Northampton
NN4 7BW
United Kingdom

StarTech.com Ltd.
Siriusdreef 17-27
2132 WT Hoofddorp
The Netherlands

FR: startech.com/fr
DE: startech.com/de
ES: startech.com/es
NL: startech.com/nl
IT: startech.com/it
JP: startech.com/jp

Read More About This Manual & Download PDF:

Documents / Resources



[StarTech CPUMOBILESTND Computer Tower Cart \[pdf\] Instructions](#)
CPUMOBILESTND Computer Tower Cart, CPUMOBILESTND, Computer Tower Cart, Tower Ca
rt, Cart

References

- [User Manual](#)

Manuals+. Privacy Policy

This website is an independent publication and is neither affiliated with nor endorsed by any of the trademark owners. The "Bluetooth®" word mark and logos are registered trademarks owned by Bluetooth SIG, Inc. The "Wi-Fi®" word mark and logos are registered trademarks owned by the Wi-Fi Alliance. Any use of these marks on this website does not imply any affiliation with or endorsement.