



SONOFF ZBMINI Zigbee Mini Smart Switch User Guide

[Home](#) » [SonOFF](#) » SONOFF ZBMINI Zigbee Mini Smart Switch User Guide 

Contents

- [1 SONOFF ZBMINI Zigbee Mini Smart Switch](#)
- [2 Power off](#)
- [3 Wiring instruction](#)
- [4 ZSS setup instruction](#)
- [5 eWeLink APP pairing](#)
- [6 WEEE Disposal and Recycling Information](#)
- [7 Documents / Resources](#)



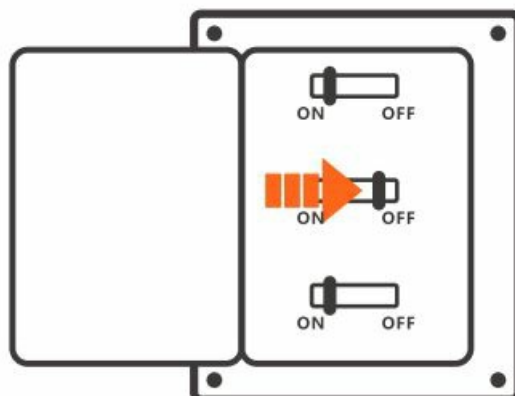
SONOFF ZBMINI Zigbee Mini Smart Switch



The device can be operated intelligently via working with the SONOFF Z1gbee gateway to communicate with other devices.

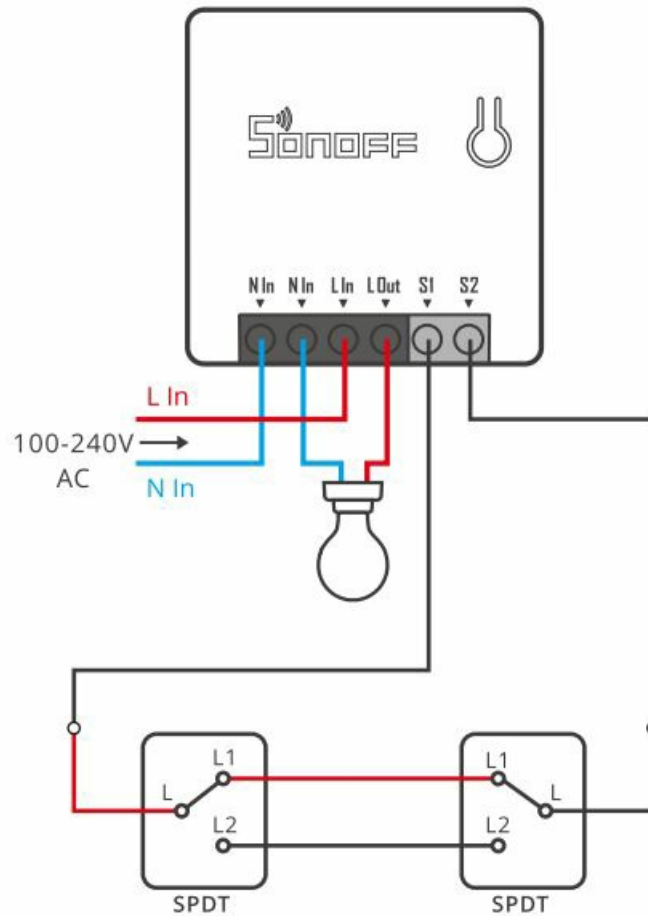
Power off

Please install and maintain the device by a professional electrician. To avoid electric shock hazard, do not operate any connection or contact the terminal connector while the device is powered on!



Wiring instruction

Make sure the neutral wire and live wire connection is correct.



ZSS setup instruction

1. Download the latest Alexa App



Amazon Alexa

2. Add Amazon Echo
3. Add device

After the device is powered on, wait 1-2 mins to refresh the device list in Alexa App, and the added device will appear in the device list.

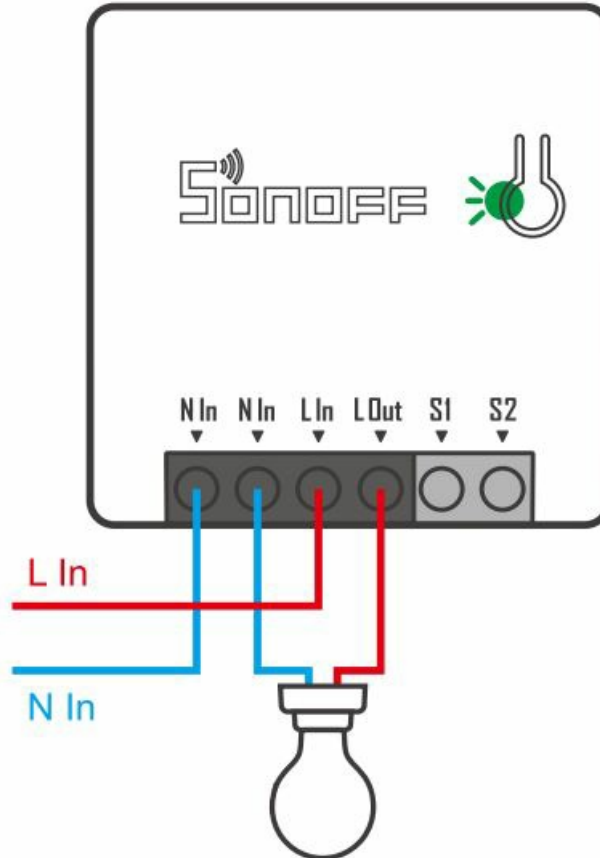
Please try to pair the device using eWeLink App if zss setup is failed.

eWeLink APP pairing

1. Download APP

2. Add SONOFF Zig Bee Bridge

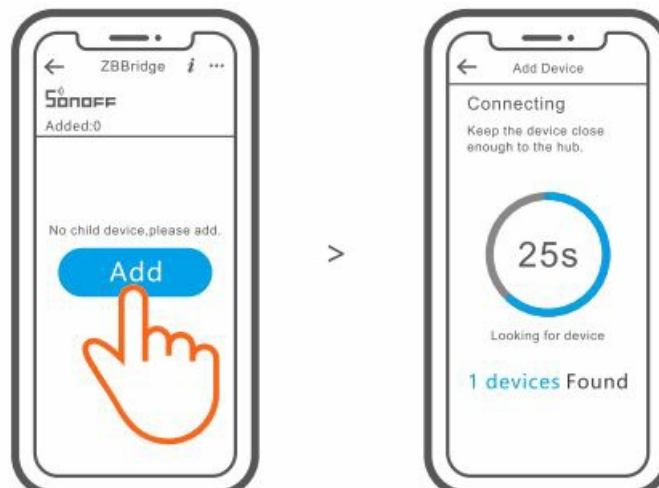
3. Power on



After powering on, the device will enter the pairing mode during the first use and the LED signal indicator flashes.

The device will exit the pairing mode if no next operation for a long time. If enter pairing, please long press the manual switch for Ss until the LED signal indicator flashes and release.

4. Add sub-devices



Access eWe Link APP, select the Bridge that you want to connect, tap MAdd" to add a sub-device, and be patient until pairing completes. If the addition failed, move the sub-device closer to the Bridge and try again.



https://sonoff_tech/usermanuals

Scan the QR code or visit the website to learn about the detailed user manual and help.

FCC compliance statement

1. This device complies with part 15 of the FCC Rules. Operation is subject to the following two conditions:
 - This device may not cause harmful interference, and
 - This device must accept any interference received, including interference that may cause undesired operation.
2. Changes or modifications not expressly approved by the party responsible for compliance could void the user's authority to operate the equipment.

Note: This equipment has been tested and found to comply with the limits for a Class B digital device, pursuant to part 15 of the FCC Rules. These limits are designed to provide reasonable protection against harmful interference in a residential installation. This equipment generates, uses and can radiate radio frequency energy and, if not installed and used in accordance with the instructions, may cause harmful interference to radio communications. However, there is no guarantee that interference will not occur in a particular installation. If this equipment does cause harmful interference to radio or television reception, which can be determined by turning the equipment off and on, the user is encouraged to try to correct the interference by one or more of the following measures:

- Reorient or relocate the receiving antenna.
- Increase the separation between the equipment and receiver.
- Connect the equipment into an outlet on a circuit different from that to which the receiver is connected.
- Consult the dealer or an experienced radio/TV technician for help.

FCC Radiation Exposure statement:

1. This equipment complies with FCC radiation exposure limits set forth for an uncontrolled environment.
2. This equipment should be installed and operated with minimum distance of 20 cm between the radiator and your body.
3. This transmitter must not be co-located or operating in conjunction with any other antenna or transmitter.

WEEE Disposal and Recycling Information

All products bearing this symbol are waste electrical and electronic equipment (WEEE as in directive 2012/19/EU) which should not be mixed with unsorted household waste. Instead, you should protect human health and the environment by handing over your waste equipment to designated collection point for the recycling of waste electrical and electronic equipment, appointed by the government or local authorities. Correct disposal and recycling will help prevent potential negative consequences to the environment and human health. Please contact the installer or local authorities for more information about the location as well as terms and conditions of such collection points.

For CE Frequency

- U Output Power:2.75dBm
- EU Output Power: 2405-2480MHz

To ensure the safety of your electrical installation, it's essential either a Miniature Circuit Breaker (MCB) or a Residual Current Operated Circuit Breaker (RCBO) with an electrical rating of 10A has been installed before the ZBMINI.


EU Declaration of Conformity

Hereby, Shenzhen Sonoff Technologies Co., Ltd. declares that the radio equipment type ZBMINI is in compliance with Directive 2014/53/EU. The full text of the EU declaration of conformity is available at the following internet address: <https://sonoff.tech/usermanuals>

Shenzhen Sonoff Technologies Co., Ltd.

- 1001, BLDG8, Lianhua Industrial Park, shenzhen, GD. China
- ZIP code: 518000
- Website: sonoff.tech
- Service email: support@itead.cc
- MADE IN CHINA

Documents / Resources

	<p>SONOFF ZBMINI Zigbee Mini Smart Switch [pdf] User Guide ZBMINI Zigbee Mini Smart Switch, ZBMINI, Zigbee Mini Smart Switch, Mini Smart Switch, Smart Switch, Switch</p>
---	---