



SONOFF MINI-D Dry Wi-Fi Smart Switch Instruction Manual

[Home](#) » [SonOFF](#) » SONOFF MINI-D Dry Wi-Fi Smart Switch Instruction Manual 

SONOFF

SONOFF MINI Dry Wi-Fi Smart Switch (Dry Contact Relay)

Contents

- [1 MINI-D Dry Wi-Fi Smart Switch](#)
- [2 Introduction](#)
- [3 Specification](#)
- [4 Installation](#)
- [5 Power on](#)
- [6 Add Device](#)
- [7 Install the device in the mounting box.](#)
- [8 Documents / Resources](#)
 - [8.1 References](#)

MINI-D Dry Wi-Fi Smart Switch

Product Preview Manual (VIP version)

Hi!

We are glad to have you participate in our new product review! Your unique perspective and professional feedback are invaluable to us. The following sections will provide detailed information on usage precautions, platform support, and the product manual. We hope this new product will excite both you and your audiences. Once again, thank you for your support and collaboration!

Enjoy using the product!

Product Model Introduction

MINI-D is a versatile and powerful solution for home automation, designed to simplify your life with advanced features and seamless connectivity. Below are the key aspects of this product:

Wi-Fi Connectivity: No hub is required. Connect directly to your home Wi-Fi network for full control of your lights and appliances from anywhere via the app.

Matter Protocol: With Matter protocol support, MINI-D ensures seamless integration with other brands and ecosystems, allowing you to build a unified and efficient smart home setup.

AC/DC Power Supply: Compatible with AC and DC power sources, ensuring flexible installation in various environments.

Dry Contact Support: Perfect for controlling dry contact devices such as motors, garage doors, gates, and other specialized equipment.

DC Low-Power Motor Support (Max 8W): Specifically engineered to control DC low-power motor loads up to 8W, making it a perfectly smart control for DC low-power systems.

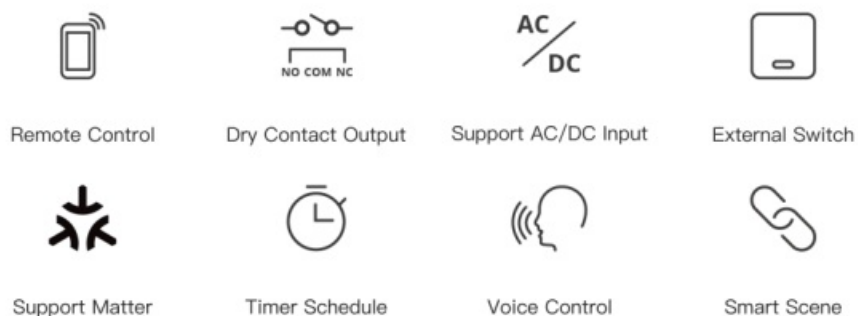
Notes before Using

Please upgrade the eWeLink app to the latest version to support it.

User Manual

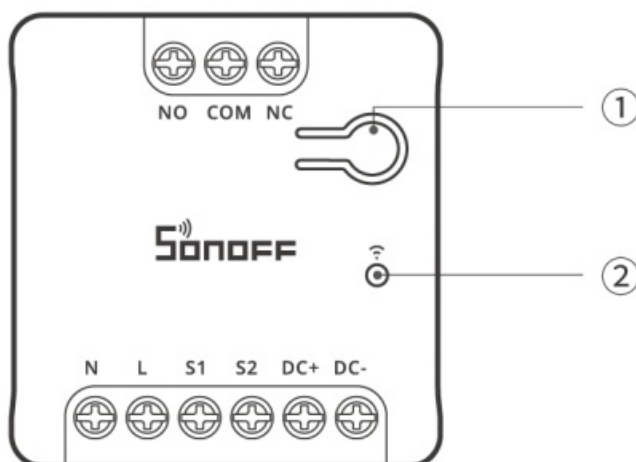
Introduction

MINI-D is a Wi-Fi dry contact smart switch that supports AC/DC power supply. It can be used to control motors, garage doors, and other dry contact input devices, offering remote control, voice control, and other functions through APP. It also supports the Matter protocol, allowing seamless integration with smart devices from other brands to build your home automation system.



1. Button

- Single press: Turn on/off the smart device.
- Press and hold for 5 seconds: Device enters the pairing mode. (Pairing time 10 minutes)
- Click three times in succession: Switch the external switch type.



2. LED indicator (Blue)

eWeLink Mode

- Keeps on: Device is online.
- Flashes once: Offline
- Flashes twice: LAN

- Flashes two short and one long: Device is in pairing mode.
- Flashes three times: Switch type is successfully switched.

Matter Mode

- Keeps on: Device is online.
- Flashes once: Offline
- Flashes two short and one long: Device is in pairing mode.
- Flashes three times: The switch type is successfully switched.

Matter-compatible Ecosystem

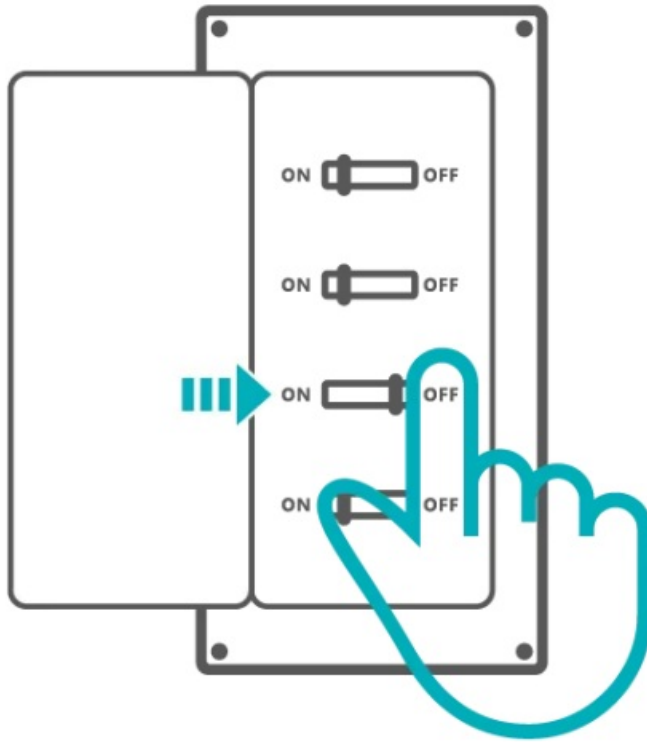


Specification

Model	MINI-D
MCU	ESP32-D0WDR2
Rating	100-240V~ 50/60Hz 0.1A Max OR 12-48V 1A Max μ
Load	24V 2A Max Resistive load OR 12/24V 8W M
Wireless Connectivity	Wi-Fi: IEEE 802.11 b/g/n 2.4GHz
Net Weight	34.5g
Dimension	41x43x21.5mm
Color	White
Casing Material	PC
Applicable Place	Indoor
Working Temperature	10T40 (-10°C~40°C)
Working Humidity	5%~95% RH, non-condensing
Working height	Less than 2000m
Certification	CE/FCC/RoHS
Executive standard	EN 60669-2-1

Installation

1. Power off



⚠ WARNING

Please install and maintain the device by a professional electrician. To avoid electric shock hazards, do not operate any connection or contact the terminal connector while the device is powered on!

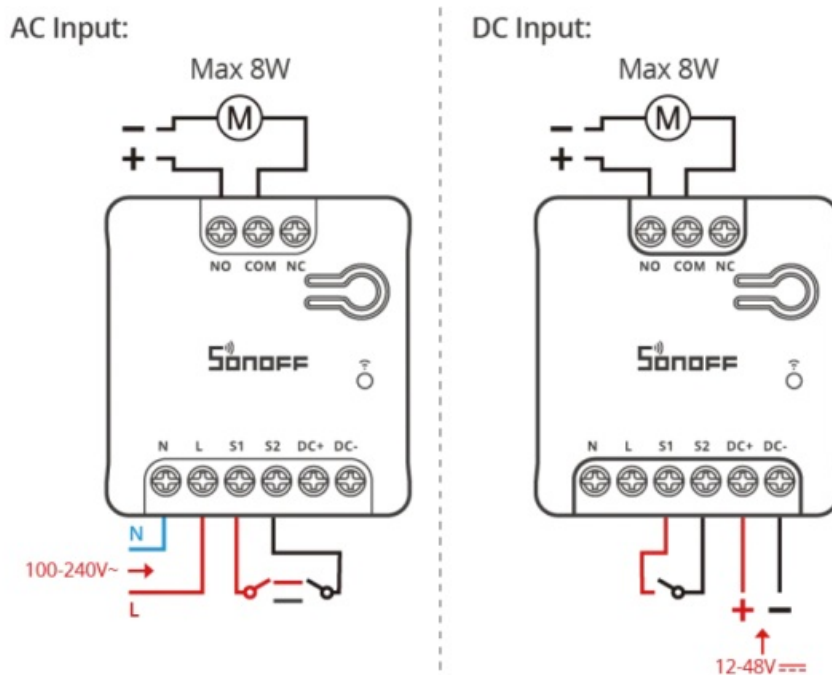
2. Wiring instruction

⚠ WARNING

AC and DC are not supported as power input at the same time!

*To ensure the safety of your electrical installation, it's essential either a Miniature Circuit Breaker (MCB) or a Residual Current operated Circuit-breaker with Integral Overcurrent protection(RCBO) with an electrical rating of 10A that meets national safety standards has been installed before the MINI-D. An overcurrent protection device with a rated current of 3A needs to be used in the control circuit of the MINI-D.

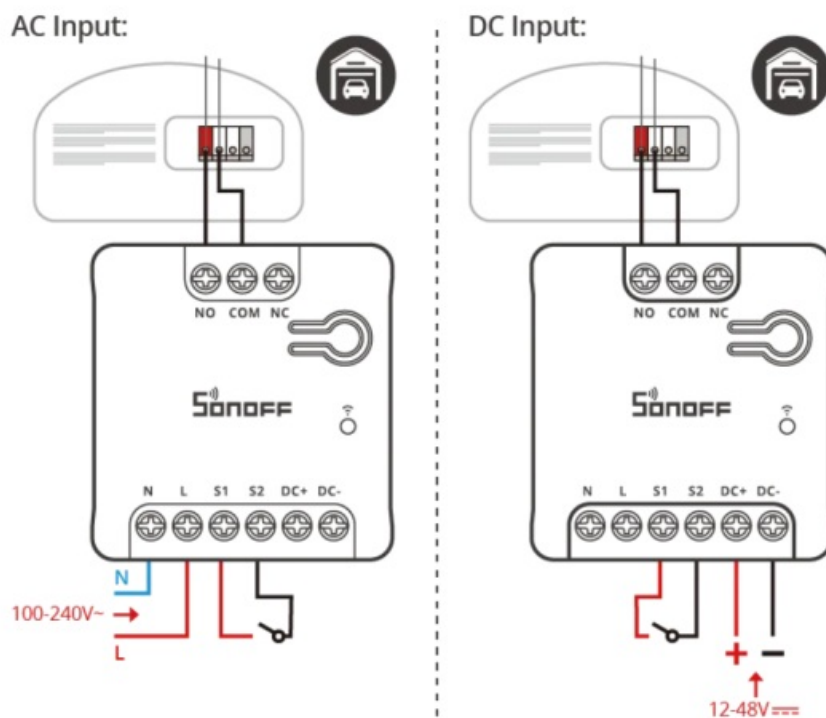
- DC low power load wiring



- Dry contact wiring

① Applicable to devices that can be controlled via dry contact.

② To ensure compatibility with the garage door motor, please short-circuit the terminals of the motor that were originally used to connect to the wall switch (the short-circuiting process is safe, so don't worry). If the garage door motor operates after short-circuiting, it is compatible; if the motor does not operate, it is not compatible.

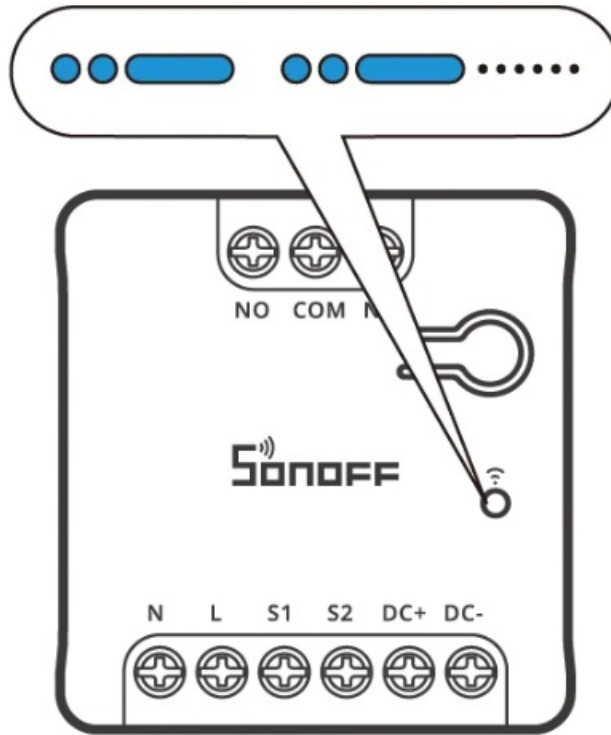


*Make sure all wires are connected correctly.

Instructions of wiring symbols

Terminals		Wires	
NO	Normally Open (Output Terminal)		
COM	Common (Output Terminal)		
NC	Normally Closed (Output Terminal)		
N	Neutral (Input Terminal)	N	Neutral Wire
L	Live (Input Terminal)	L	Live (100~240V) Wire
S1	External Switch (Input Terminal)		
S2	External Switch (Input Terminal)		
DC+	12V-48V DC Positive (Input Terminal)	+	12V-48V DC Positive Wire
DC-	12V-48V DC Negative (Input Terminal)	-	12V-48V DC Negative Wire

Power on



After powering on, the device will enter the Pairing Mode during the first use. The LED indicator changes in a cycle of two short and one long flash and release.

*The device will exit the Pairing Mode if not paired within 10mins. If you want to enter this mode, please long press button for about 5s until the LED indicator changes in a cycle of two short and one long flash and release.

Check the Device Status

External Switch Type: The device's factory default is the rocker switch. To switch to the momentary switch, you need to short-press the device button three times. If the blue light flashes three times, it means the switch is successful.

Add Device

Method 1: Matter pairing

Open a Matter-compatible App to scan the Matter QR code on the Quick Guide or the device itself to add the device.



Add to Apple
via Matter



Add to Google
via Matter



Add to Alexa
via Matter

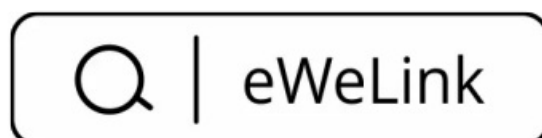


Add to SmartThings
via Matter

Method 2: eWeLink app pairing

1. Download the eWeLink app

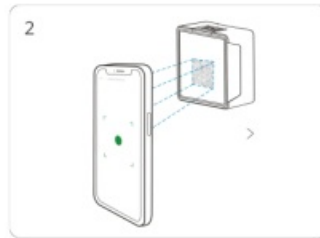
Please download the "eWeLink" App from Google Play Store or Apple App Store.



2. Scan QR code to add the device.



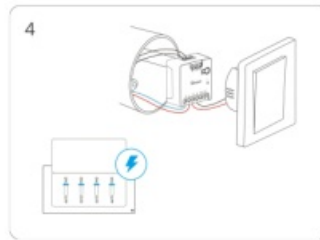
Enter "Scan".



Scan the QR code on the device.



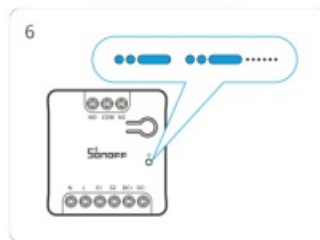
Select "Add Device".



Power on the device.



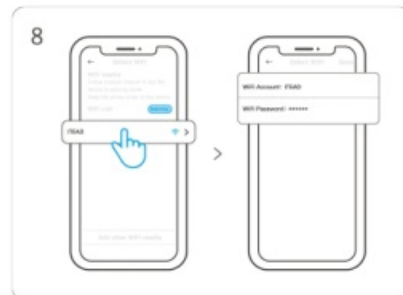
Long press the button for 5 seconds.



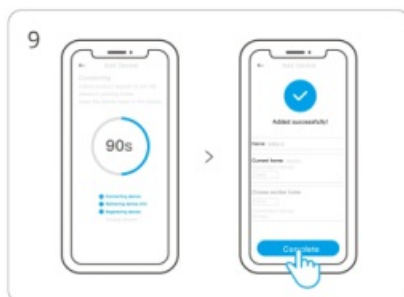
Check Wi-Fi LED indicator flashing status
(Two short and one long).



Search for the device and start connecting.

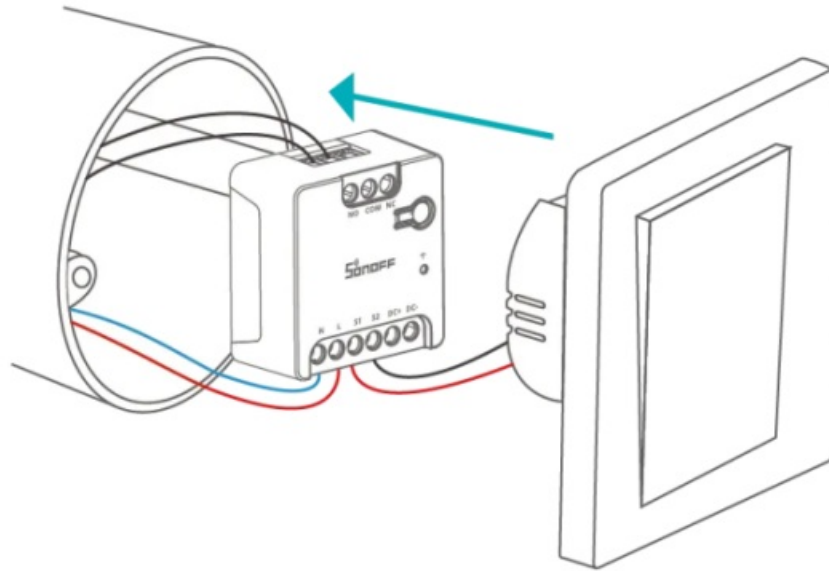


Select the "Wi-Fi" network and
enter the password.



Device "Added completely".

Install the device in the mounting box.



Factory Reset

Reset the device to factory settings by “Delete device” in the eWeLink App.

Ending

We look forward to your review of this new product and believe your followers will be eager as well.

Thank you again for your participation and support! If you have any questions or need further assistance, please feel free to contact us anytime.

Documents / Resources

<p>SONOFF MINI Dry Wi-Fi Smart Switch (Dry Contact Relay) Product Preview Manual (VIP version) Product Model Introduction</p>	<p>SONOFF MINI-D Dry Wi-Fi Smart Switch [pdf] Instruction Manual MINI-D Dry Wi-Fi Smart Switch, MINI-D, Dry Wi-Fi Smart Switch, Wi-Fi Smart Switch, Smart Switch, Switch</p>
---	--

References

- [User Manual](#)

[Manuals+ Privacy Policy](#)

This website is an independent publication and is neither affiliated with nor endorsed by any of the trademark owners. The "Bluetooth®" word mark and logos are registered trademarks owned by Bluetooth SIG, Inc. The "Wi-Fi®" word mark and logos are registered trademarks owned by the Wi-Fi Alliance. Any use of these marks on this website does not imply any affiliation with or endorsement.