



SONOFF DIY MINI Wi-Fi Smart Switch MINIR2 User Guide

[Home](#) » [SonOFF](#) » SONOFF DIY MINI Wi-Fi Smart Switch MINIR2 User Guide 

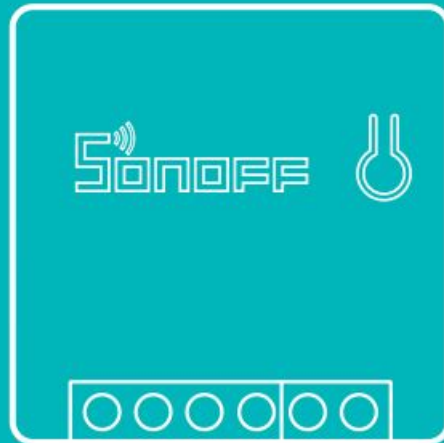
*SONOFF DIY MINI Wi-Fi Smart Switch
MINIR2 User Guide*

SONOFF



DIY MINI

Quick Installation Guide V1.1

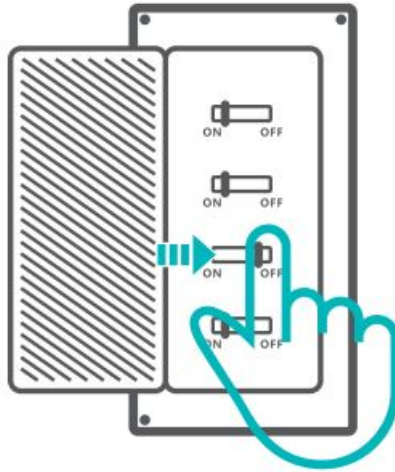



Wi-Fi Smart Switch with DIY Mode
Model: MINIR2

Contents

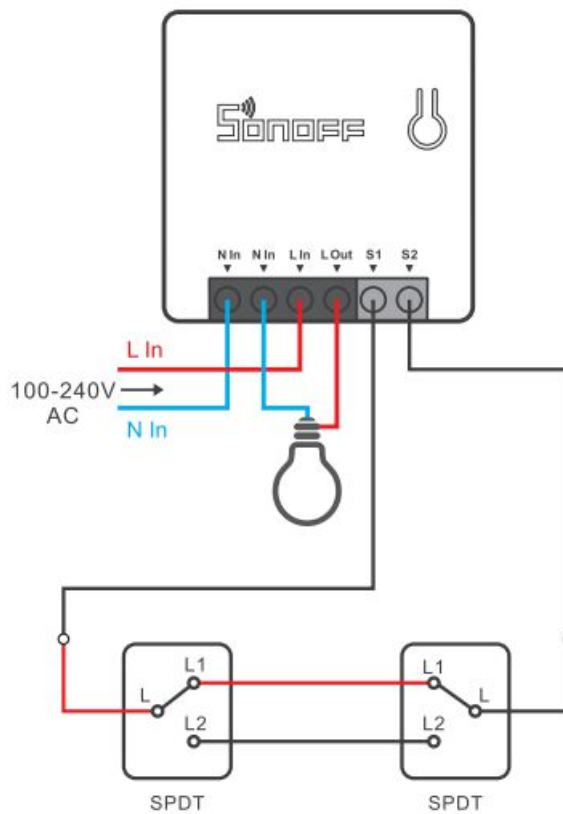
1. Power off
2. Wiring Instruction
3. Download APP
4. Power on
5. Add the device
- 6 Documents / Resources
- 7 Related Posts


1. Power off



 To avoid electric shocks, please consult the dealer or a qualified professional for help when installing and repairing!
Please do not touch the switch during use.

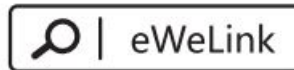
2. Wiring Instruction



 S1/S2 can connect with the rocker light switch or doesn't connect. To ensure safety, do not connect the neutral wire and live wire to it.

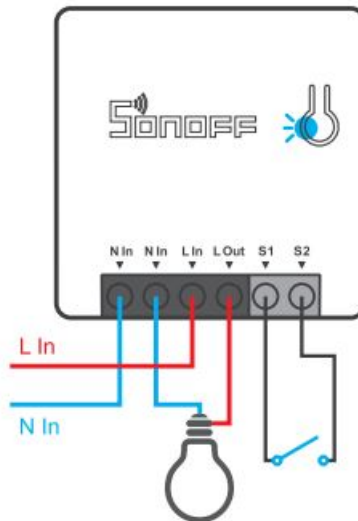
Make sure the neutral wire and live wire connection is correct.

3. Download APP



<http://app.coolkit.cc/dl.html>

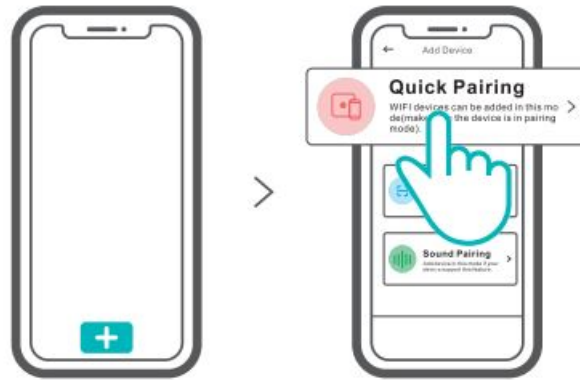
4. Power on



After powering on, the device will enter the quick pairing mode (Touch) during the first use. The Wi-Fi LED indicator changes in a cycle of two short and one long flash and release.

The device will exit the quick pairing mode (Touch) if not paired within 3mins. If you want to enter this mode, please long press the manual button for about 5s until the Wi-Fi LED indicator changes in a cycle of two short and one long flash and release.

5. Add the device



Tap "+" and select "Quick Pairing", then operate following the prompt on the APP.

User Manual



<https://www.sonoff.tech/usermanuals>

Scan the QR code or visit the website to learn about the detailed user manual and help.

Scan the QR code to read the voice control instruction for Amazon Echo and Google Home.

FCC Warning

Changes or modifications not expressly approved by the party responsible for compliance could avoid the user's authority to operate the equipment. This device complies with part 15 of the FCC Rules. Operation is subject to the following two conditions:

- (1) This device may not cause harmful interference, and
- (2) this device must accept any interference received, including interference that may cause undesired operation.

FCC Radiation Exposure Statement:

This equipment complies with FCC radiation exposure limits set forth for an uncontrolled environment. This equipment should be installed and operated with minimum distance 20cm between the radiator & your body. This transmitter must not be collocated or operating in conjunction with any other antenna or transmitter.

Note:

This equipment has been tested and found to comply with the limits for a Class B digital device, pursuant to part 15 of the FCC Rules. These limits are designed to provide reasonable protection against harmful interference in a residential installation. This equipment generates, uses and can radiate radio frequency energy and, if not installed and used in accordance with the instructions, may cause harmful interference to radio communications. However, there is no guarantee that interference will not occur in a particular installation. If this equipment does cause harmful interference to radio or television reception, which can be determined by turning the equipment off and on, the user is encouraged to try to correct the interference by one or more of the following measures:

- Reorient or relocate the receiving antenna.
- Increase the separation between the equipment and receiver.
- Connect the equipment into an outlet on a circuit different from that to which the receiver is connected.
- Consult the dealer or an experienced radio/TV technician for help.

Hereby, Shenzhen Son off Technologies Co., Ltd. declares that the radio equipment type MINIR2 is in compliance with Directive 2014/53/EU. The full text of the EU declaration of conformity is available at the following internet address: <https://fwww.sonoff.tech/usermanuals>

TX Frequency:

WiFi: 2412-2472MHz

RX Frequency:

WiFi: 2412-2472MHz

Output Power:

9.86dBm(802.11b),
9.93dBm(802.11g),
9.92dBm(802.11n20)

LIKE IT!

Glad to know you are satisfied with SONOFF products.

It would mean a lot to us if you can take a minute to share your buying experience.



Share it on Amazon



Share it on your social media



Share it with your friends and family

Get the latest news by following us:

**New arrival
Promotion
How-to videos**

HAVE A PROBLEM?

We are so sorry for the inconvenience caused by the product.
Please contact us for help via the email address below.



support@itead.cc

We will get back to you as soon as possible.



support@itead.cc

https://www.youtube.com/channel/UC1EsS_wR0_isqSbbN-ZM8GA

<https://www.facebook.com/SONOFF.official/>



Shenzhen Sonoff Technologies Co., Ltd.

1001, BLDG8, Lianhua Industrial Park, shenzhen,
GD, China

ZIP code: 518000

Website: sonoff.tech

MADE IN CHINA



sonoff.tech

Documents / Resources



[SONOFF DIY MINI Wi-Fi Smart Switch MINIR2](#) [pdf] User Guide
SONOFF, DIY MINI, Wi-Fi, Smart Switch, MINIR2