


## Manuals+

User Manuals Simplified.



# SloanLED 100L1 24 VDC Power Supply Installation Guide

February 27, 2022 February 28, 2022 [Leave a comment](#)

[Home](#) » [SloanLED](#) » SloanLED 100L1 24 VDC Power Supply Installation Guide 

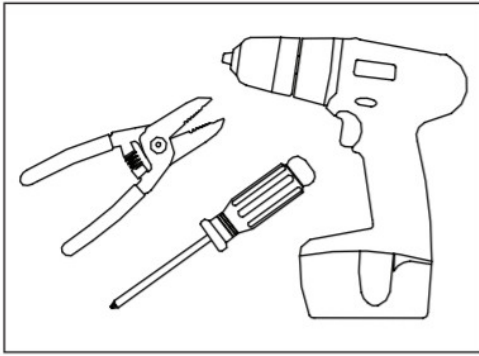


# SloanLED®

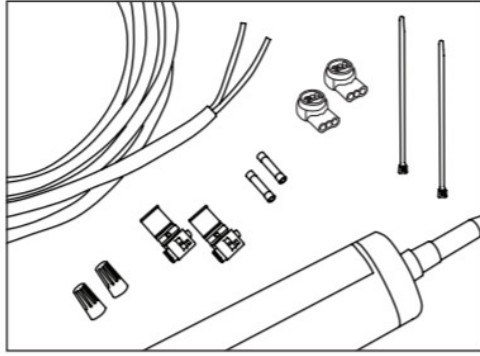
Leaders in LED Technology

100L1 24 VDC Power Supply

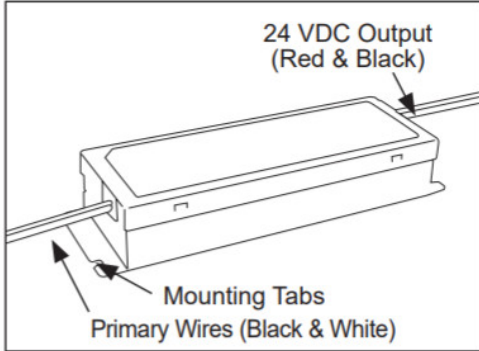
Installation Guide



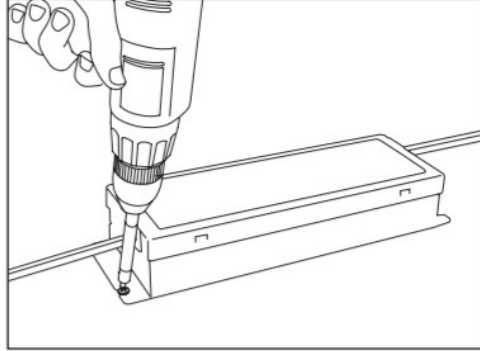
1. Tools required: Wire strippers, drill, and screwdriver.



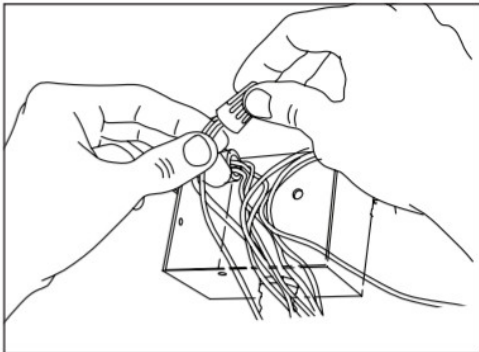
2. Supplies required: Conduit and electrical enclosure for power supply (if not placed in a sign made from enclosure rated material), #8 pan head screws, UL Listed PLTC cable, UL Listed electrical wire connectors (e.g., wire nuts), silicone. Europe: Electrical enclosure for power supply, M4 pan head screws, PLTC cable, silicone, 3M™ Scotchlok™ connectors.



3. Power Supply: Identify primary wires, secondary wires, and the location of mounting tabs.



4. Mount Power Supplies: Use mounting tab in the corner to secure power supply.



5. Connect Primary: CAUTION: Have a licensed electrician connect to the primary.

**NOTE:** Ensure adequate ventilation. Power supply operating ambient temperature is -40° to 55° C. Power supply must be mounted in an enclosure (i.e., the transformer can/raceway). Power supply spacing to thermoplastic, wood, fiber, or other combustible type enclosure materials shall be 1" (25 mm). Two or more adjacent power supplies shall not be mounted closer than 1" (25 mm) end to end or 4" (102 mm) side to side.

If mounted inside a sign cabinet, UL requires that the cabinet is made from an enclosure-rated material. Ensure power supplies are not overloaded by verifying output current is less than 4.15 DC Amps. It is recommended to use photocells or light sensors to prolong the life of the power supply and to keep unit at maximum operating efficiency.

[Contents](#) [ [hide](#) ]

[1 TROUBLESHOOTING](#)

[2 Documents / Resources](#)

[2.1 Related Manuals / Resources](#)

## TROUBLESHOOTING

If the sign is not functioning properly, check the following:

- Primary voltage is between 120-277 VAC
- Secondary voltage is 24 VDC
- Output current is 4.15 Amps or less
- The power supply is not overloaded (see power supply capacity chart in product installation guide or SloanLED.com)
- There are no shorts in the secondary wiring
- All secondary connections are RED-TO-RED and BLACK-TO-BLACK

SloanLED products carry a limited warranty.  
For complete details refer to the warranty policy found at [SloanLED.com](http://SloanLED.com)



Some or all of the products shown are covered by U.S. and foreign patents pending and covered by one of more of the following U.S. patents issued: 6776504, 6969179, 7192157, 6932495, 7241031



**SloanLED**<sup>®</sup>  
Leaders in LED Technology

Customer service and technical support

**SloanLED Headquarters**  
5725 Olivas Park Drive, Ventura, CA, USA  
888.747.4LED (888.747.4533) • [info@SloanLED.com](mailto:info@SloanLED.com)  
[SloanLED.com](http://SloanLED.com)

P/N 402794 Rev A 2021-03-24  
**SloanLED Europe b.v.**  
Argonstraat 110, 2718 SN Zoetermeer, NL  
+31 88 12 44 900 • [Europe@SloanLED.com](mailto:Europe@SloanLED.com)

## Documents / Resources



[SloanLED 100L1 24 VDC Power Supply](#) [pdf] Installation Guide  
701895-100L1, 100L1 24 VDC Power Supply, 100L1, 24 VDC Power Supply

## Related Manuals / Resources



### [PHILIPS DDPN1501 Network Power Supply Instruction Manual](#)

DDPN1501 Network Power Supply Installation Instructions Devices must be installed in an approved enclosure by a qualified electrician...



### [motorola Safety Instructions for Power Supply User Manual](#)

Motorola Safety Instructions for Power Supply User Manual The power supply is for use with equipment according to...



has been crafted as a an add-on...

### [External power Supply user guide Print](#)

External Power Supply for Smoke Sensor and Siren.The External Power Supply (POPE004100)



has been crafted as a an...

### [External power Supply user guide Print](#)

External Power Supply for Smoke Sensor and Siren. The External Power Supply (POPE004100)

## Leave a comment

Your email address will not be published.

Comment

Name

Email

Website

Save my name, email, and website in this browser for the next time I comment.

Post Comment

[Manuals+](#),

- [home](#)
- [privacy](#)