



Singing Machine SML-383 CDG Player Karaoke Machine Instruction Manual

[Home](#) » [Support](#) » Singing Machine SML-383 CDG Player Karaoke Machine Instruction Manual 

Contents

- [1 Singing Machine SML-383 CDG Player Karaoke Machine](#)
- [2 FREQUENTLY ASKED QUESTIONS](#)

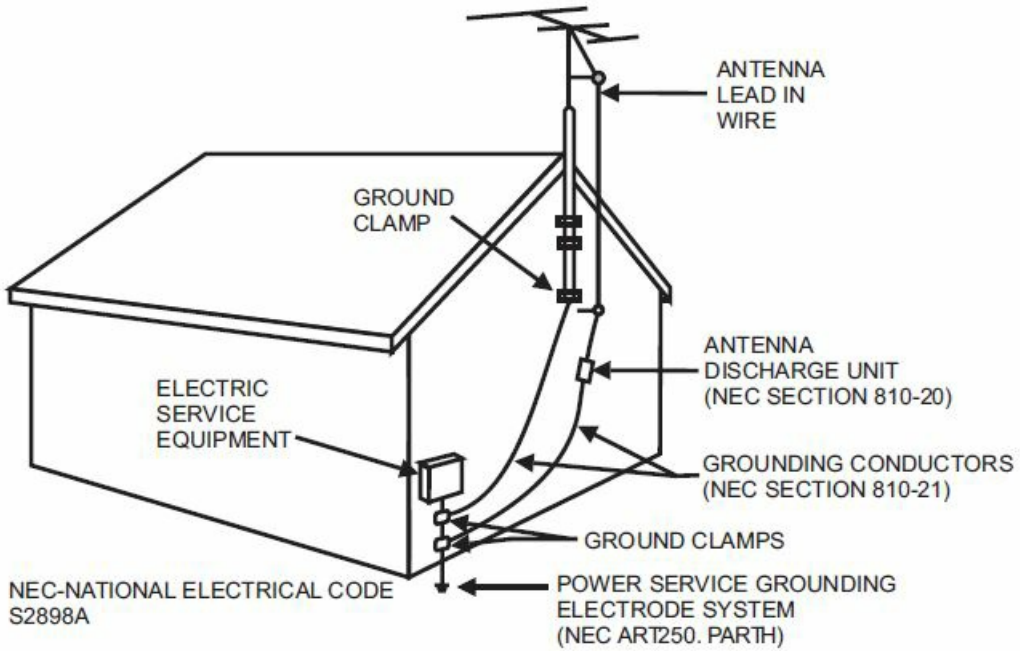


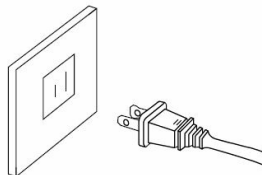
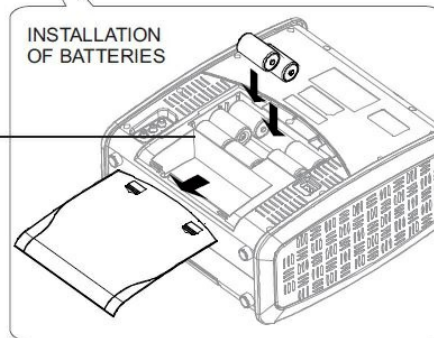
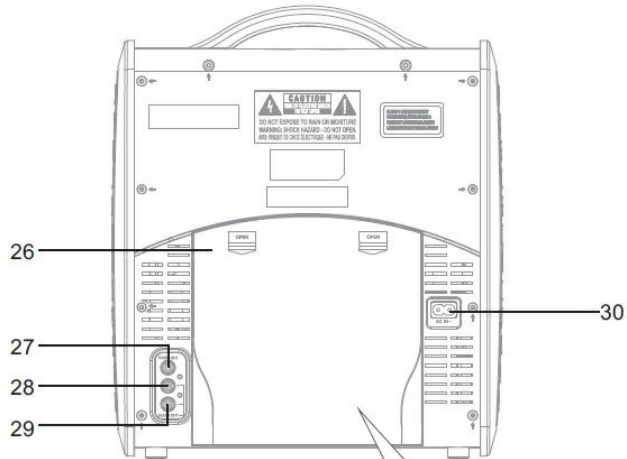
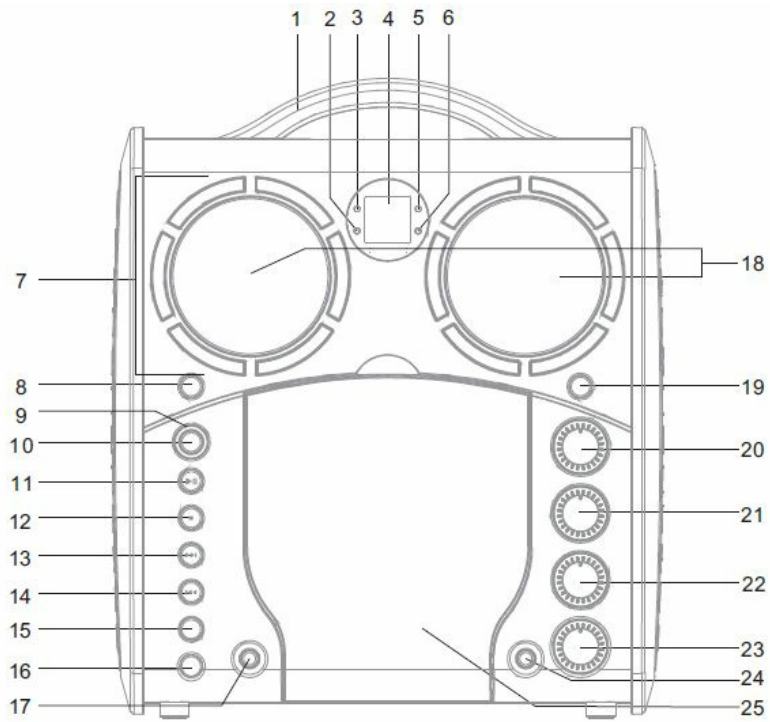
Singing Machine SML-383 CDG Player Karaoke Machine

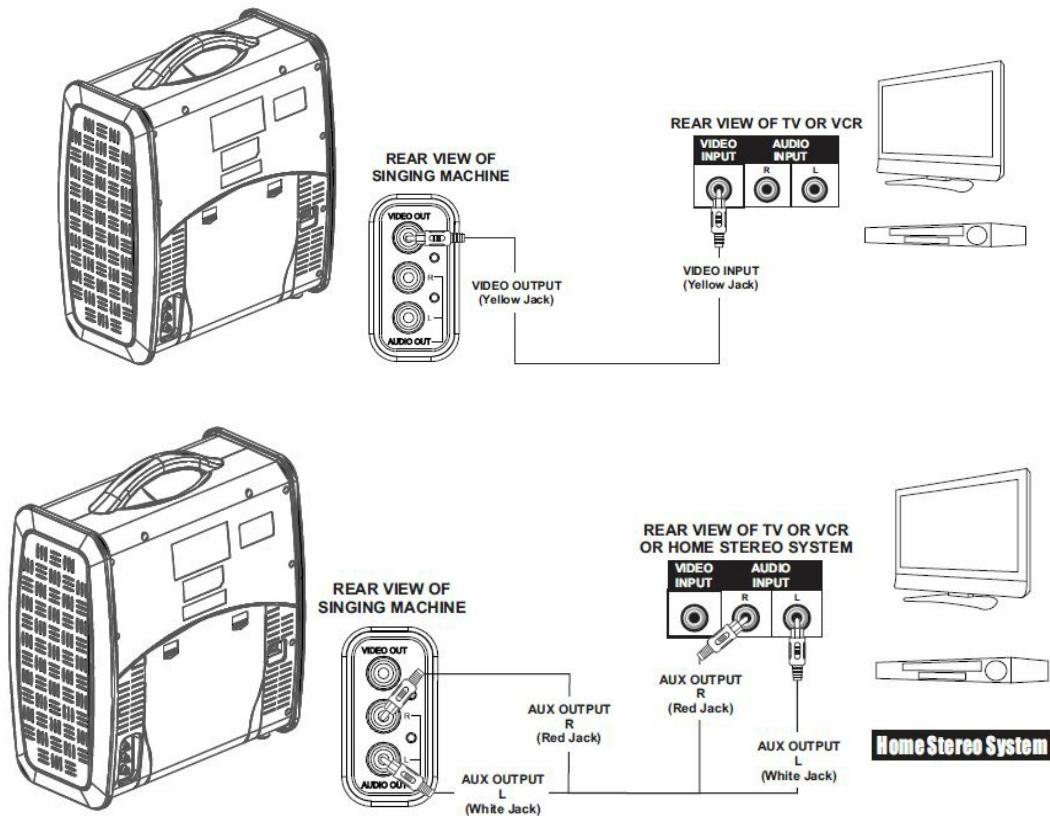




CLASS 1 LASER PRODUCT
PRODUCTO LÁSER CLASE 1
PRODUIT LASER DE CLASSE 1
LASER-PRODUKT DER KLASSE 1







AUDIO SECTION: OUTPUT POWER (MAXIMUM) OUTPUT IMPEDANCE	1 WATT + 1 WATT (RMS) 8 OHMS
CD PLAYER SECTION: FREQUENCY RESPONSE SIGNAL - TO - NOISE RATIO NUMBER OF PROGRAMS SAMPLING SYSTEM	100 Hz - 20 kHz 50 dB 20 STEPS RANDOM ACCESS PROGRAMMING 8 TIMES OVER SAMPLING
MICROPHONE	-73dB 600 OHMS IMPEDANCE WITH Ø6.3mm DYNAMIC MICROPHONE
POWER SECTION	AC 110V-120V~60Hz
DIMENSIONS (H X W X D)	13.6 x 11.7 x 6.2 inches / 34.6 x 29.8 x 15.7 cm
WEIGHT	5.34 lbs / 2.4 kgs

FREQUENTLY ASKED QUESTIONS

DOWNLOAD THE PDF LINK: [Singing Machine SML-383 CDG Player Karaoke Machine Instruction Manual](#)