



# SIGURO SGR-DH-B200W Mini Dehumidifier Instruction Manual

[Home](#) » [SIGURO](#) » SIGURO SGR-DH-B200W Mini Dehumidifier Instruction Manual 

## Contents

- [1 SIGURO SGR-DH-B200W Mini Dehumidifier](#)
- [2 SAFETY INFORMATION](#)
- [3 OVERVIEW](#)
- [4 SPECIFICATIONS](#)
- [5 USING THE DEVICE](#)
  - [5.1 Starting to use](#)
  - [5.2 Switch functions](#)
  - [5.3 Emptying the water tank](#)
- [6 CLEANING AND MAINTENANCE](#)
- [7 Documents / Resources](#)
- [8 Related Posts](#)

# SIGURO

**SIGURO SGR-DH-B200W Mini Dehumidifier**



Translation of the operating instructions from the original language.

## **SAFETY INFORMATION**

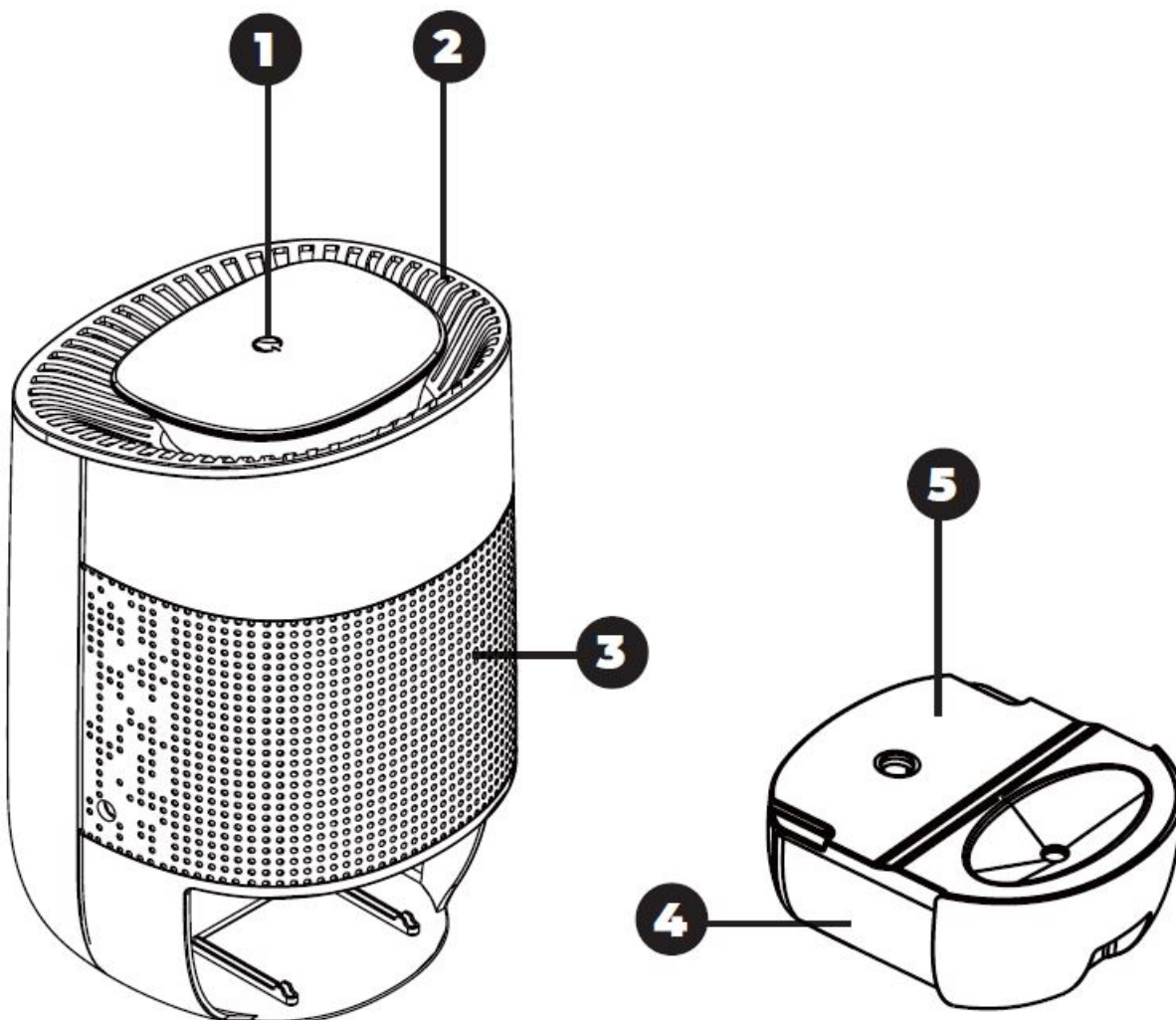
Please read this manual carefully before use and keep it for future reference. The manufacturer declines any liability for damage caused by improper use or failure to follow the instructions in this manual. Improper use or non-compliance with the instructions will void the warranty.

1. This appliance may be used by children over the age of 8 and persons with reduced physical, sensory or mental capabilities, or lack of experience and knowledge, if they are supervised or instructed in the safe operation of this appliance and understand the dangers involved. with the use of the appliance.
2. Children should not play with the appliance.
3. Cleaning and maintenance should not be performed by children without supervision.
4. Before connecting the appliance to the mains, make sure that the mains voltage corresponds to the values on the type plate of the product. Connect the appliance only to a properly grounded socket.
5. If the power cord, plug, or any other part of the product malfunctions, or if any part of the product has been dropped or otherwise damaged, repairs may only be done by a qualified electrician. Improper repairs can put users at risk of injury.
6. To reduce the risk of electric shock, do not immerse the cord, plug or body of the appliance in water or any other liquid. Do not wash the appliance in a sink or in the dishwasher.
7. Always switch off the appliance and unplug it when not in use and /or before moving it, during installation and cleaning.
8. The appliance is intended for domestic use only. It is not intended for commercial purposes.
9. Use the appliance only for the purpose for which it was designed.
10. Do not place the appliance on window sills, counter drip trays, or on unstable surfaces. Place it always on a stable, flat, and dry surface.
11. Do not place the appliance near a washbasin or sink, on appliances and equipment that are a source of heat or close to them.
12. Do not cover the air inlets or the outlet grille.
13. Do not touch the device with wet or damp hands.

14. Never place anything on or in the appliance.
15. Do not use the appliance close to flammable objects or products (curtains, aerosols, solvents, etc.).
16. When using, leave at least 30 cm of free space on the back and sides of the product and at least 50 cm of free space above the product.
17. Always make sure that the appliance, plug, and power cord are in good condition before use. Do not pull on the power cord or appliance, even when unplugging it.
18. Use the appliance only with the supplied adapter.
  1. Level of protection against electric shock: II Protection against electric shock is provided by double or reinforced insulation.
  2. Only for indoor use only.

## OVERVIEW

1. Swith
2. Air outlet
3. Air inlet
4. Water tank
5. Water tank cover



## SPECIFICATIONS

<b>Dimensions</b>	146 × 146 × 227 mm
<b>Weight</b>	0.95 kg
<b>Input</b>	DC 9 V, 2.5 A
<b>Power consumption</b>	23 W
<b>Adapter</b>	Input: 100–240V~, 50/60Hz, 1.0A (max)
	Output: 9.0V 2.5A, 22.5W
<b>Coverage area</b>	< 15 m <sup>2</sup>
<b>Water tank volume</b>	600 ml
<b>Dehumidifying capacity</b>	300 ml/day
<b>Noise</b>	< 35 dB

## USING THE DEVICE

### Starting to use

- Take the device out of the box and remove all protective foils and packaging materials. The adapter is located in the water tank.
- Connect the plug of the adapter to the connector on the back of the device. Plug the adapter in the outlet.

### Switch functions

- To turn on the device, press the switch. The indicator light turns on.
- When you press the power button again, the unit turns off and the light turns off.
- To turn off the indicator light while the device is operating, press and hold the power button for at least 3 seconds.

### Emptying the water tank

- The water tank has a maximum capacity of 600 ml. When full, the indicator will turn red and the dehumidifier will turn off automatically.
- After the water tank becomes full, disconnect the appliance from power, pull the tank out of the dehumidifier body, pour out the water and slide the tank back inside.

