

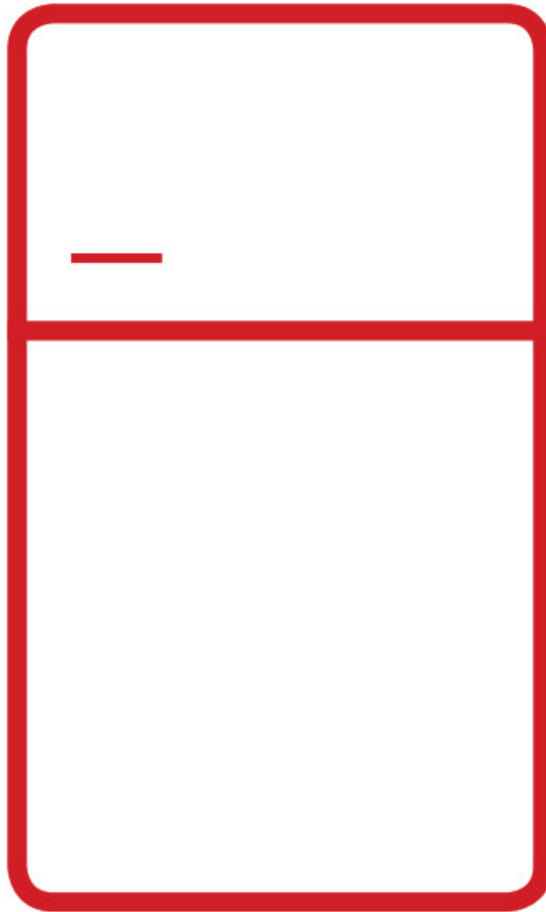


SHARP SJ-TB03ITXWF-EU Fridge User Manual

[Home](#) » [Sharp](#) » SHARP SJ-TB03ITXWF-EU Fridge User Manual 



Home Appliances
SJ-TB03ITXWF-EU, SJ-TB03ITXLF-EU, SJ-TB03NTXWF-EU
Fridge-freezers
User Manual



Your fridge freezer conforms to current safety requirements. Inappropriate use can lead to personal injury and damage to property. To avoid the risk of damage read this manual carefully before using your fridge freezer for the first time. It contains important safety information on the installation, safety, use, and maintenance of your Fridge Freezer. Retain this manual for future use.

Contents

- [1 CHAPTER -1: GENERAL WARNINGS](#)
- [2 CHAPTER -2: YOUR FRIDGE FREEZER](#)
- [3 CHAPTER -3: USING YOUR FRIDGE FREEZER](#)
- [4 CHAPTER -4: FOOD STORAGE GUIDANCE](#)
- [5 CHAPTER -5: DOOR REVERSAL](#)
- [6 CHAPTER -6: TROUBLESHOOTING](#)
- [7 CHAPTER -7: TIPS FOR SAVING ENERGY](#)
- [8 CHAPTER -8: TECHNICAL DATA](#)
- [9 CHAPTER -9: CUSTOMER CARE AND SERVICE](#)
- [10 Documents / Resources](#)
- [11 Related Posts](#)

CHAPTER -1: GENERAL WARNINGS



WARNING: Keep the ventilation openings of the Fridge clear from obstruction.



WARNING: Do not use mechanical devices or other means to accelerate the defrosting process.



WARNING: Do not use other electrical appliances inside the Fridge.



WARNING: Do not damage the refrigerant circuit.



WARNING: When positioning the appliance, ensure the supply cord is not trapped or damaged.



WARNING: Do not locate multiple portable socket outlets or portable power supplies at the rear of the appliance.



WARNING: To avoid personal injury or damage this appliance must be installed in accordance with the manufacturer's instructions.



The small quantity of refrigerant used in this fridge is eco-friendly R600a (an isobutene) and is flammable and explosive if ignited in enclosed conditions.

- While carrying and positioning the fridge, do not damage the cooler gas circuit.
- Do not store any containers with flammable materials, such as spray cans or fire extinguisher refill cartridges in the vicinity of the fridge.
- This appliance is intended to be used in household and similar applications such as;
 - staff kitchen areas in shops, offices, and other working environments which can be equated with ordinary household
 - farmhouses and by clients in hotels, motels, and other residential type environments which can be equated with ordinary household
 - bed and breakfast type environments which can be equated with ordinary household
 - catering and similar non-retail applications which can be equated with ordinary household
- Your fridge requires a 220-240V, 50Hz mains supply. Do not use any other supply. Before connecting your fridge, ensure that the information on the data plate (voltage and connected load) matches the mains electricity supply. If in doubt, consult a qualified electrician)
- This appliance can be used by children aged 8 years and above and persons with reduced physical, sensory or mental capabilities or lack of experience and knowledge if they have been given supervision or instruction concerning use of the appliance in a safe way and understand the hazard involved. Children shall not play with the appliance. Cleaning and user maintenance, shall not be made by children without supervision.
- Children aged from 3 to 8 years are allowed to load and unload refrigerating appliances. Children are not expected to perform cleaning or user maintenance of the appliance, very young children (0-3 years old) are not expected to use appliances, young children (3-8 years old) are not expected to use appliances safely unless continuous supervision is given, older children (8-14 years old) and vulnerable people can use appliances safely after they have been given appropriate supervision or instruction concerning use of the appliance. Very vulnerable people are not expected to use appliances safely unless continuous supervision is given.
- A damaged power cord /plug can cause fire or give you an electric shock. When damaged it must be replaced, this should only be done by qualified personnel.
- This appliance is not intended for use at altitudes exceeding 2000 m.

To avoid contamination of food, please respect the following instructions:

- Opening the door for long periods can cause a significant increase of the temperature in the compartments of the appliance.

- Clean regular surfaces that can come in contact with food and accessible drainage systems.
- Store raw meat and fish in suitable containers in the refrigerator, so that it is not in contact with or drip onto other food.
- Two-star frozen-food compartments are suitable for storing pre-frozen food, storing or making ice cream, and making ice cubes.
- One-, two- and three-star compartments are not suitable for the freezing of fresh food.
- If the refrigerating appliance is left empty for long periods, switch off, defrost, clean, dry, and leave the door open to prevent mold from developing within the appliance.

Disposal

- All packaging and materials used are environmentally friendly and recyclable. Please dispose of any packaging in an environmentally friendly manner. Consult your local council for further details.
- When the appliance is to be scrapped, cut off the electrical supply cable and destroy the plug and cable. Disable the door catch in order to prevent children from becoming trapped inside.
- A cut-off plug inserted into a 16 amp socket is a serious safety (shock) hazard. Please ensure the cut-off plug is disposed of safely.

For Denmark products:

The appliance is equipped with a plug approved in the EU (EU-Schuko Plug) and can be used in Finland, Norway, and Sweden. In Denmark, the appliance is only approved for use with a wall outlet type E or type CEE7 // 7-S with a ground leg. If there is only wall outlet type K at the connection point, Replacing the EU-Schuko plug with the Danish plug must be performed by only authorized service personnel. Alternatively, connect a suitable and approved power adapter to transition between Schuko plug and Danish earth system. This adapter (min. 10 amps and up to max. 13 amps) can be ordered via a well-assorted white goods dealer or authorized electrician. Only with one of these methods, it can be ensured that the appliance is the correct safe ground. In the absence of earthing installation, an authorized electrician should carry out an earthing installation. In the case of use without earthing installed, we will not be responsible for any loss of use that may occur.

Disposal of your old appliance



This symbol on the product or package implies that the product should not be treated as domestic waste. Instead, it should be delivered to applicable waste collection places recycling electrical and electronic equipment. Recycling materials will help natural resources be preserved. For more detailed information regarding the recycling of this product, please contact the local authority, domestic waste disposal service or the shop you have purchased the product from.

Please ask your local authority about the disposal of the WEEE for the re se, recycling, and recovery purposes.

Notes:

- Please read the instruction manual carefully before installing and using your appliance. We are not responsible for the damage that occurred due to misuse.
- Follow all instructions on your appliance and instruction manual, and keep this manual in a safe place to resolve the problems that may occur in the future.
- This appliance is produced to be used in homes and it can only be used in domestic environments and for specified purposes. It is not suitable for commercial or common use. Such use will cause the guarantee of the appliance to be canceled and our company will not be responsible for the losses to occur.
- This appliance is produced to be used in houses and it is only suitable for cooling / storing foods. It is not suitable for commercial or common use and/or for storing substances except for food. Our company is not

responsible for the losses to occur in the contrary case.



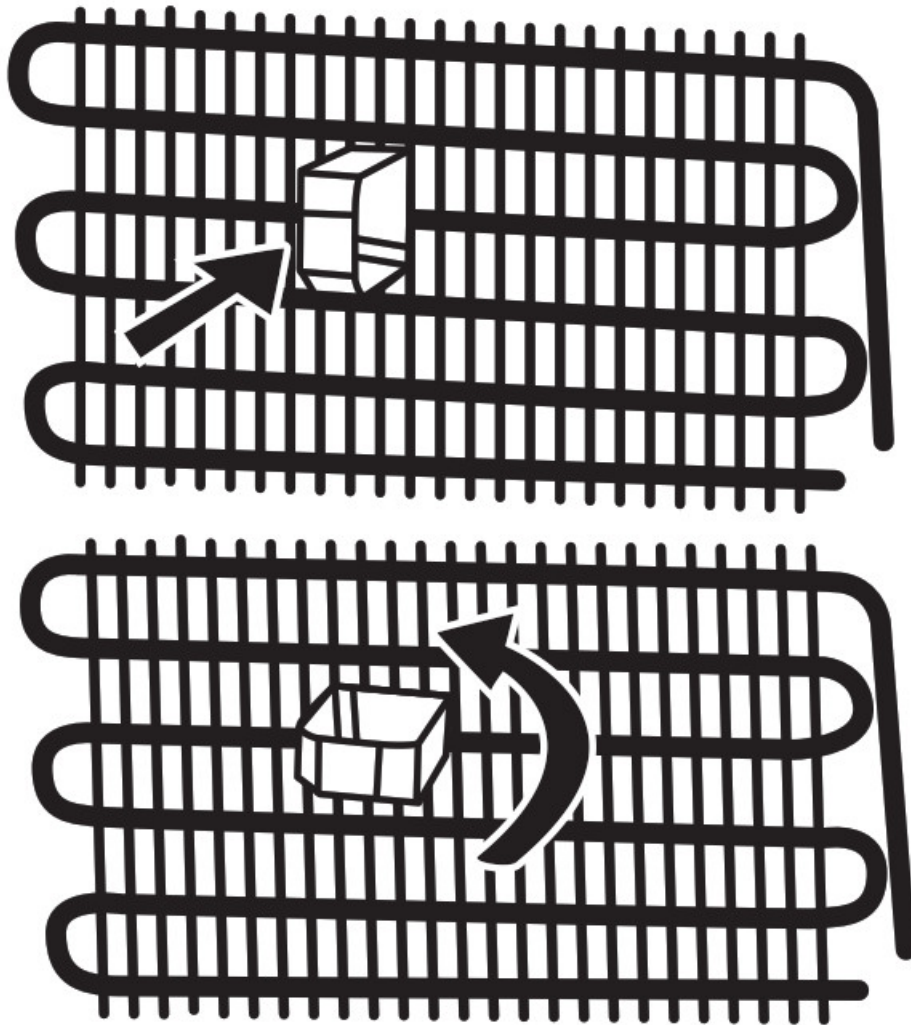
Safety warnings

- Do not connect your Fridge Freezer to the mains electricity supply using an extension lead.
- A damaged power cord/plug can cause fire or give you an electric shock. When damaged it must be replaced, this should only be done by qualified personnel.
- Never bend the power cord excessively.
- Never touch the power cord/plug with wet hands as this could cause a short circuit electric shock.
- Do not place glass bottles or beverage cans in the freezer department. Bottles or cans may explode.
- When taking ice made in the freezer department, do not touch it, ice may cause ice burns and/or cuts.
- Do not remove items from the freezer if your hands are damp or wet. This could cause skin abrasions or frost/freezer burns.
- Do not refreeze food once it has thawed out.

Installation Information

Before unpacking and manoeuvring your fridge freezer please take some time to familiarise yourself with the following points.

- Position away from direct sunlight and away from any heat source such as a radiator.
- Your appliance should be at least 50 cm away from stoves, Gas ovens, and heater cores, and should be at least 5 cm away from electrical ovens.
- Do not expose your fridge freezer to moisture or rain.
- Your fridge freezer should be positioned at least 20mm away from another freezer.
- Clearance of at least 150 mm is required at the top of your appliance. Do not place anything on top of your appliance.
- For safe operation, it is important that your fridge freezer is safe and balanced. The adjustable feet are used to level your fridge freezer. Make sure that your appliance is level before placing any foodstuffs inside it.
- We recommend that you wipe all shelving and trays with a cloth soaked in warm water mixed with a teaspoon of bicarbonate of soda before use. After cleaning rinse with warm water and dry.
- Install using the plastic distance guides, which can be found at the rear of the appliance. Turn 90 degrees (as shown in the diagram). This will keep the condenser from touching the wall.
- The refrigerator should be placed against a wall with a free distance not exceeding 75 mm.



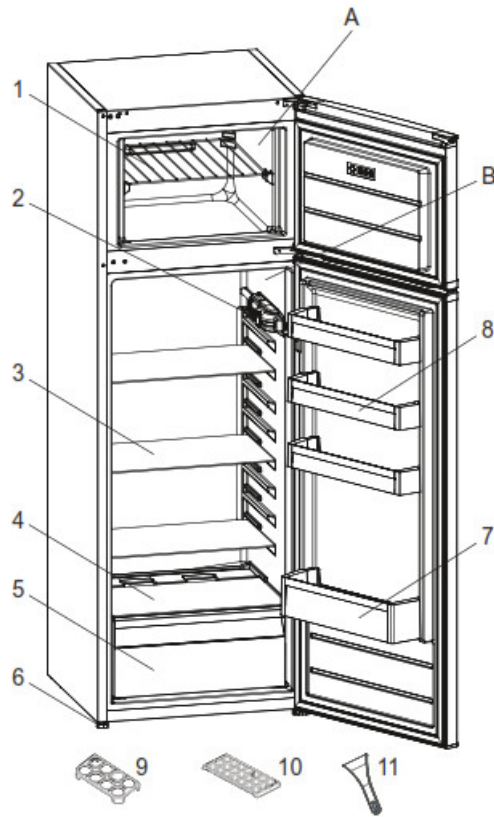
Before Using your Fridge



- Before setting up your fridge freezer, check for any visible damage. Do not install or use your fridge freezer if it is damaged
- When using your fridge freezer for the first time, keep it in an upright position for at least 3 hours before plugging into the mains. This will allow efficient operation and prevent damage to the compressor.
- You may notice a slight odor when using your fridge freezer for the first time. This is perfectly normal and will fade away as the fridge starts to cool.

CHAPTER -2: YOUR FRIDGE FREEZER

This appliance is not intended to be used as a built-in appliance.



- A) Freezer compartment
- B) Refrigerator compartment

<ul style="list-style-type: none"> 1) Freezer shelf 2) Thermostat box 3) Refrigerator shelves 4) Crisper cover 5) Crisper 	<ul style="list-style-type: none"> 6) Levelling feet 7) Bottle shelf 8) Door shelves 9) Egg holder 10) Icebox tray 11) Plastic ice scraper *
--	--

* In some models

This figure has been drawn for information purposes to show the various parts and accessories in the appliance. Parts may vary according to the model of the appliance.

General notes:

Fresh Food Compartment (Fridge): Most efficient use of energy is ensured in the configuration with the drawers in the bottom part of the appliance, and shelves evenly distributed, position of door bins does not affect energy consumption.

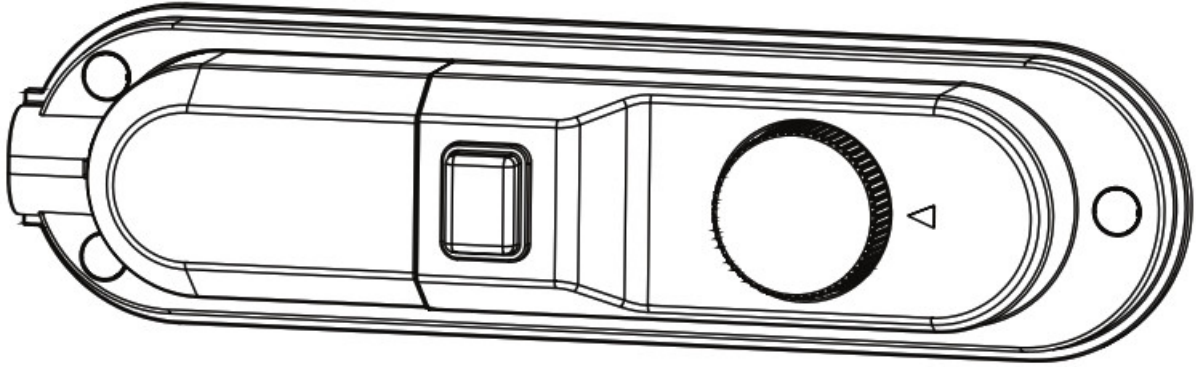
Freezer Compartment (Freezer): Most Efficient use of energy is ensured in the configuration with the drawers and bins are on stock position.

CHAPTER -3: USING YOUR FRIDGE FREEZER

Information on Less Frost Technology

Thanks to the wrap-around evaporator, Less Frost technology offers more efficient cooling, less manual defrost requirement, and a more flexible storage room.

Thermostat setting



The thermostat automatically regulates the temperature inside the fridge and freezer compartments. To change the temperature the knob can be rotated from position 1 to 5 (5 being the coldest).

Important note: Do not rotate beyond position 1 as this will stop your appliance from working.

- For short-term storage of food in the freezer compartment, you can set the knob between 1 and 3 positions.
- For long-term storage of food in the freezer compartment, you can set the knob to the 3-4 position.

Note that; the ambient temperature, the temperature of the freshly stored food and how often the door is opened, affects the temperature in the refrigerator compartment. If required, change the temperature setting.

Super freezing: This switch shall be used as super freeze switch. For maximum freezing capacity, please turn on this switch before 24 hours placing fresh food. After placing fresh food in the freezer, 24 hours ON position is generally sufficient. In order to save energy, please turn off this switch after 24 hours from placing fresh food.

Warnings for temperature settings

- The ambient temperature, the temperature of the freshly stored food, and how often the door is opened, affect the temperature in the refrigerator compartment. If required, change the temperature setting.
- It is not recommended that you operate your fridge in environments colder than 10°C .
- The thermostat setting should be set by taking into consideration how often the fresh food and freezer doors are opened and closed, how much food is stored in the refrigerator and the environment in which and the positioning of the appliance.
- We recommend that when first using the fridge freezer it should be left running for 24 hours uninterrupted to ensure it is completely cooled. Do not open the fridge doors, or put food inside for this period.
- Your fridge freezer has a 5-minute built-in delay function, designed to prevent damage to the compressor. When power is applied to your fridge freezer, it will begin to operate normally after 5 minutes.
- Your fridge is designed to operate in the ambient temperature intervals stated in the standards, according to the climate class stated in the information label. It is not recommended that your fridge is operated in environments that are out of the stated temperature intervals in terms of cooling efficiency.

Climate class and meaning:

T (tropical): This refrigerating appliance is intended to be used at ambient temperatures ranging from 16 °C to 43 °C.

ST (subtropical): This refrigerating appliance is intended to be used at ambient temperatures ranging from 16 °C to 38 °C.

N (temperate): This refrigerating appliance is intended to be used at ambient temperatures ranging from 16 °C to 32 °C.

SN (extended temperate): This refrigerating appliance is intended to be used at ambient temperatures ranging from 10 °C to 32 °C.

Temperature indicator



In order to help you better set your refrigerator, we have equipped it with a temperature indicator located in the coldest area.

To better store the food in your refrigerator, especially in the coldest area, make sure the message "OK" appears on the temperature indicator. If « OK » does not appear, this means temperature has not been set properly



It may be difficult to see the indicator, make sure it is properly lit. Each time the temperature setting device is changed, wait for the stabilization of the temperature inside the appliance before proceeding, if necessary, with a new temperature setting. Please change the position of the

temperature setting device progressively and wait at least 12 hours before starting a new check and potential change.

NOTE: Following repeated openings (or prolonged opening) of the door or after putting fresh food into the appliance, it is normal for the indication "OK" not to appear in the temperature setting indicator. If there is an abnormal build-up of ice crystals (bottom wall of the appliance) on the refrigerator compartment, evaporator (overloaded appliance, high room temperature, frequent door openings), put the temperature setting device on a lower position until compressor off periods are obtained again.

Store food in the coldest area of the refrigerator.



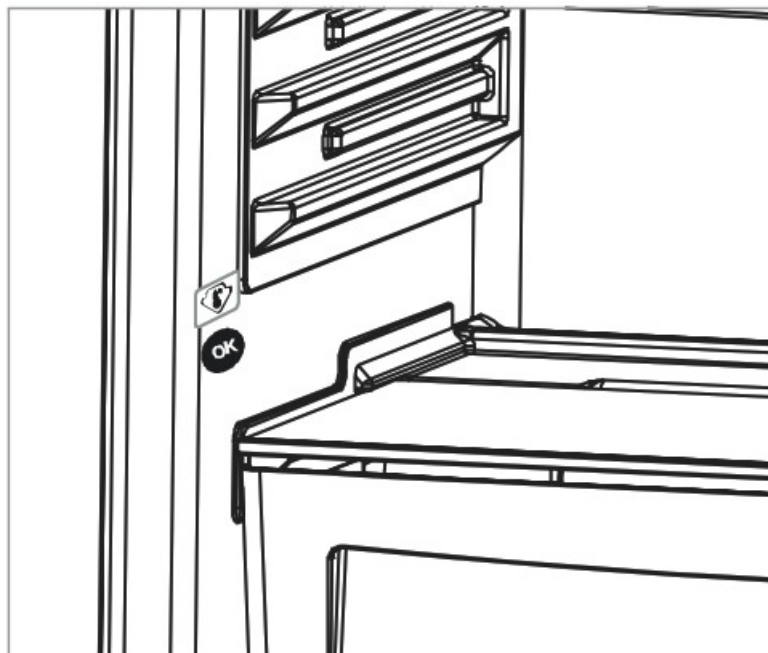
Your foods will be better stored if you put them in the most appropriate cooling area. The coldest area is just above the crisper.

The following symbol indicates the coldest area of your refrigerator.

To be sure to have a low temperature in this area, make sure the shelf is located at the level of this symbol, as shown in the illustration.

The upper limit of the coldest area is indicated by the lower side of the sticker (head of the arrow). The coldest area upper shelf must be at the same level as the arrowhead. The coldest area is below this level.

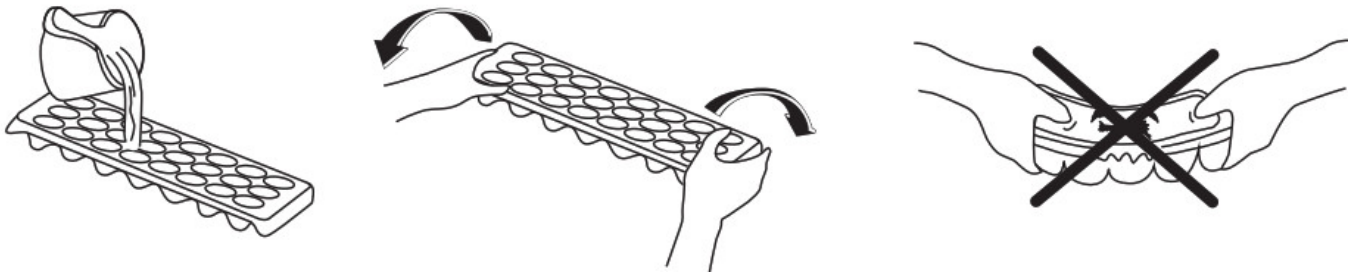
As these shelves are removable, make sure they are always at the same level with these zone limits described on the stickers, in order to guarantee temperatures in this area.



Accessories

Ice tray

- Fill the ice tray with water and place in the freezer compartment.
- After the water is completely turned into ice, you can twist the tray as shown below to get the ice cube.



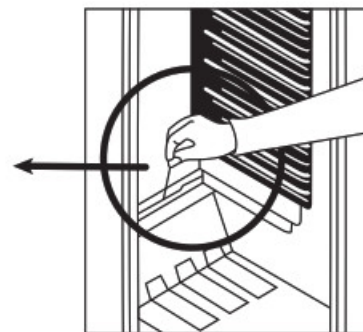
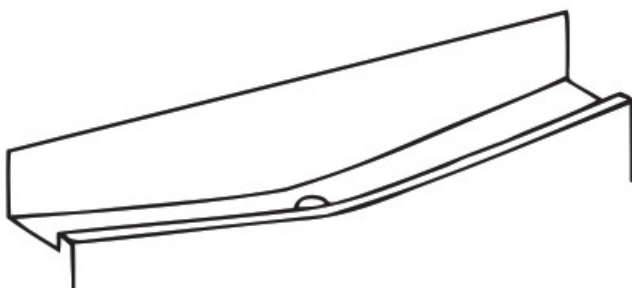
Visual and text descriptions on the accessories section may vary according to which model you have.

Cleaning

- Before cleaning your fridge freezer, turn your mains supply off and remove the plug from the socket.
- Do not wash your fridge freezer by pouring water onto it.
- Use a warm, soapy cloth or sponge to wipe the interior and exterior of your fridge freezer.
- Carefully remove all shelves and drawers by sliding upwards or outwards and clean with soapy water. Do not wash in a washing machine or dishwasher.
- Do not use solvents, abrasive cleaners, glass cleaners or all-purpose cleaning agents to clean your fridge freezer. This may cause damage to the plastic surfaces and other components with the chemicals they contain.
- Clean the condenser at the back of your fridge freezer at least once a year with a soft brush or vacuum cleaner. Make sure that your fridge is unplugged while cleaning.

Defrosting

Refrigerator compartment;



- Defrosting occurs automatically in the refrigerator compartment during operation; water is collected by the evaporating tray and evaporates automatically.
- The evaporating tray and the defrost water drain hole should be cleaned periodically to prevent the water from collecting on the bottom of the refrigerator.

Freezer compartment;

Frost, accumulated in the freezer compartment, should be removed periodically. (Use the plastic scraper provided.)

The freezer compartment should be cleaned in the same way as the refrigerator at least twice a year.

For this;

- The day before you defrost, set the thermostat dial to “5” position to freeze the foods completely.
- During defrosting, frozen foods should be wrapped in several layers of paper and kept in a cool place. The inevitable rise in temperature will shorten their storage life. Remember to use these foods within a relatively short period of time.
- Set the thermostat knob to position “•” or unplug the unit; leave the door open until completely defrosted.
- To accelerate the defrosting process one or more basins of warm water can be placed in the freezer compartment.
- Dry the inside of the unit carefully and set the thermostat knob to MAX position.



Replacing LED Lighting

If your fridge freezer has LED lighting contact the Sharp help desk as this should be changed by authorized personnel only.

CHAPTER -4: FOOD STORAGE GUIDANCE

Refrigerator compartment

- To reduce frost build-up never place liquids with unsealed containers in the fridge compartment.
- Allow warm or hot food to cool down before storing. This helps reduce power consumption.
- To avoid frost buildup ensure that nothing is stored touching the back wall.
- The coldest area of the refrigerator is at the bottom. We recommend using this area to store food that will perish easily, such as fish, ready meals, baked goods or dairy products. The warmest area is the top shelf of the door.

We recommend you store butter or cheese here.

- For normal working conditions, it will be sufficient to adjust the temperature setting of your refrigerator to +4 °C.
- The temperature of the fridge compartment should be in the range of 0-8 °C, fresh foods below 0 °C are iced and rotted bacterial load increases above 8 °C, and spoils.
- Do not put hot food in the refrigerator immediately, wait for the temperature to pass outside. Hot foods increase the degree of your refrigerator and cause food poisoning and unnecessary spoiling of the food.
- Meat, fish, etc. should be stored in the chiller compartment of the food, and the vegetable compartment is preferred for vegetables. (if available)
- To prevent cross-contamination, meat products, and fruit vegetables are not stored together.

- Foods should be placed in the refrigerator in closed containers or covered to prevent moisture and odors.

NOTE: Thawed frozen meat should be cooked as fresh meat. If the meat is not cooked after defrosting, it must not be re-frozen.

Freezer compartment

- Use the freezer to store frozen foods for long periods of time and make ice cubes.
- To freeze fresh food – ensure that as much of the surface of the food to be frozen is in contact with the cooling surface.
- Do not put fresh food on either side of frozen food as it can thaw it.
- While freezing fresh foods(i.e meat, fish, and mincemeat), divide into portion sizes.
- Once the unit has been defrosted replace the foods in the freezer and remember to consume them in a short period of time.
- Never place warm food in the freezer compartment.
- The instructions shown on frozen food packages should always be followed carefully and if no information is provided food should not be stored for more than 3 months from the purchased date.
- When buying frozen foods ensure that these have been frozen at suitable temperatures and that the packing is intact.
- Frozen foods should be transported in appropriate containers to maintain the quality of the food and should be stored in the freezer as soon as possible.
- If a package of frozen food shows signs of humidity and abnormal swelling it has been previously stored at an unsuitable temperature and the contents have deteriorated.
- The storage life of frozen foods depends on the room temperature, thermostat setting, how often the door is opened, the type of food, and the length of time required to transport the product from the shop to your home. Always follow the instructions printed on the package and never exceed the maximum storage life indicated.

If you decide to open the freezer door again immediately after closing, it may be difficult to re-open. This is normal and after the freezer has reached an equilibrium condition the door will open easily.

Important note:

- Frozen foods, when thawed, should be cooked just like fresh foods. If they are not cooked after being thawed they must NEVER be re-frozen.
- The taste of some spices found in cooked dishes (anise, basilica, watercress, vinegar, assorted spices, ginger, garlic, onion, mustard, thyme, marjoram, black pepper, etc.) changes and they assume a strong taste when they are stored for a long period. Therefore, only add a small amount of spice if planning to freeze, or the desired spice should be added after the food has been thawed.
- The storage period of food is dependent on the oil used. The suitable oils are margarine, calf fat, olive oil and butter and the unsuitable oils are peanut oil and pig fat.
- The food in liquid form should be frozen in plastic cups and the other food should be frozen in plastic folios or bags.

CHAPTER -5: DOOR REVERSAL

Repositioning the door

- It depends on which fridge freezer you have as to whether it is possible to reverse the doors.
- It is not possible where handles are attached at the front of the appliance.
- If your model does not have handles it is possible to reverse the doors, but this needs to be completed by authorized personnel. Please call Sharp service.

CHAPTER -6: TROUBLESHOOTING

If your fridge freezer is not operating as expected, there may be a simple solution.

If your refrigerator is not working.

Check that ;

- It is switched on at the mains,
- The thermostat setting is on “•” position,
If the different compartments of the fridge do not get cold enough: Check that ;
- You have not overloaded the appliance,
- The doors are closed perfectly,
- There is no dust on the condenser,
- There is enough space at the rear and sidewalls.

Your fridge freezer is too noisy.

The cooling gas which circulates in the refrigerator circuit may make a slight noise (bubbling sound) even when the compressor is not running. Do not worry this is quite normal. If these sounds are different check that ;

The appliance is well leveled,

- Nothing is touching the rear.

If there is water in the lower part of the refrigerator ;

Check that ;

The drain hole for defrost water is not clogged insert a space pen (Use defrost drain plug to clean the drain hole)

Recommendations

- In instances of power, cut and unplug the appliance. This prevents damage to the compressor. You should delay plugging in 5 – 10 minutes after you regain power supply. This will avoid damage to components.
- The cooling unit of your refrigerator is hidden in the rear wall. Therefore, water droplets or ice may occur on the rear surface of your fridge due to the operation of the compressor in specified intervals. This is normal. There is no need to perform a defrosting operation unless the ice is excessive.
- If you will not use your fridge for a long time (e.g. in summer holidays), but the thermostat in “•” position. After defrosting, clean your fridge and leave the door open to prevent humidity and odor build-up.
- If the problem persists after you have followed all the instructions above, please consult an authorized service provider.

CHAPTER -7: TIPS FOR SAVING ENERGY

1. Always allow foodstuffs to cool before storing in the appliance.

2. Thaw food in the fridge compartment, this helps save energy.

CHAPTER -8: TECHNICAL DATA

The technical information is situated in the rating plate on the internal side of the appliance and on the energy label. The QR code on the energy label supplied with the appliance provides a web link to the information related to the performance of the appliance in the EU EPREL database.

Keep the energy label for reference together with the user manual and all other documents provided with this appliance. It is also possible to find the same information in EPREL using the link <https://eprel.ec.europa.eu> and the model name and product number that you find on the rating plate of the appliance.

See the link www.theenergylabel.eu for detailed information about the energy label.

CHAPTER -9: CUSTOMER CARE AND SERVICE

Always use original spare parts.

When contacting our Authorised Service Centre, ensure that you have the following data available: Model, Serial Number and Service Index.

The information can be found on the rating plate. You can find the rating label inside the fridge zone on the left lower side.

The original spare parts for some specific components are available for a minimum of 7 or 10 years, based on the type of component, from the placing on the market of the last unit of the model.

Visit our website to: www.sharphomeappliances.com




Service & Support

Visit Our Website www.sharphomeappliances.com



Documents / Resources

	<p>SHARP SJ-TB03ITXWF-EU Fridge [pdf] User Manual SJ-TB03ITXWF-EU, SJ-TB03ITXLF-EU, SJ-TB03NTXWF-EU, SJ-TB03ITXWF-EU Fridge, SJ-TB03ITXWF-EU, Fridge</p>
---	--