



SCS Sentinel RFID Code Access Coding Keyboard User Manual

[Home](#) » [SCS sentinel](#) » SCS Sentinel RFID Code Access Coding Keyboard User Manual 

Contents

- [1 SCS Sentinel RFID Code Access Coding Keyboard](#)
- [2 SAFETY INSTRUCTIONS](#)
- [3 DESCRIPTION](#)
- [4 WIRING/ INSTALLING](#)
 - [4.1 Wiring diagram](#)
- [5 TO RESET TO FACTORY DEFAULT](#)
- [6 INDICATIONS](#)
- [7 USING](#)
 - [7.1 Fast programming](#)
 - [7.2 Detailed Programming Guide](#)
- [8 TECHNICAL FEATURES](#)
- [9 WARRANTY](#)
- [10 Documents / Resources](#)
- [11 Related Posts](#)



SCS Sentinel RFID Code Access Coding Keyboard



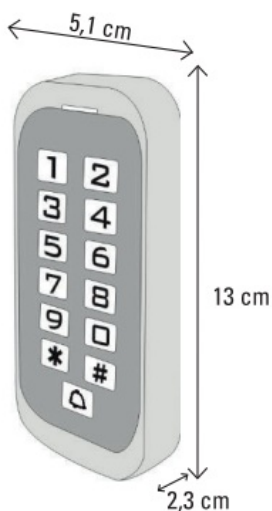
SAFETY INSTRUCTIONS

This manual is an integral part of your product.

These instructions are provided for your safety. Read this manual carefully before installing and keep it in a safe place for future reference. Select a suitable location. Make sure you can easily insert screws and wallplugs into the wall. Do not connect your electrical appliance until your equipment is totally installed and controlled. The installation, electric connections and settings must be made using best practices by a specialized and qualified person. The power supply must be installed in a dry place. Check the product is only used for its intended purpose.

DESCRIPTION

Content/ Dimensions



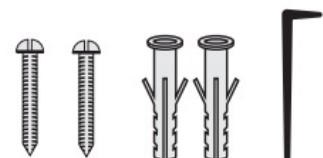
Keypad



5 RFID badges



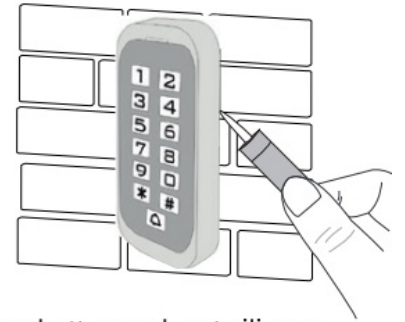
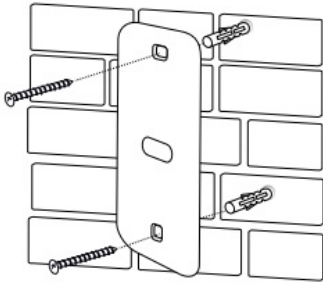
Manual



Screws + Anti-vandal key

WIRING/ INSTALLING

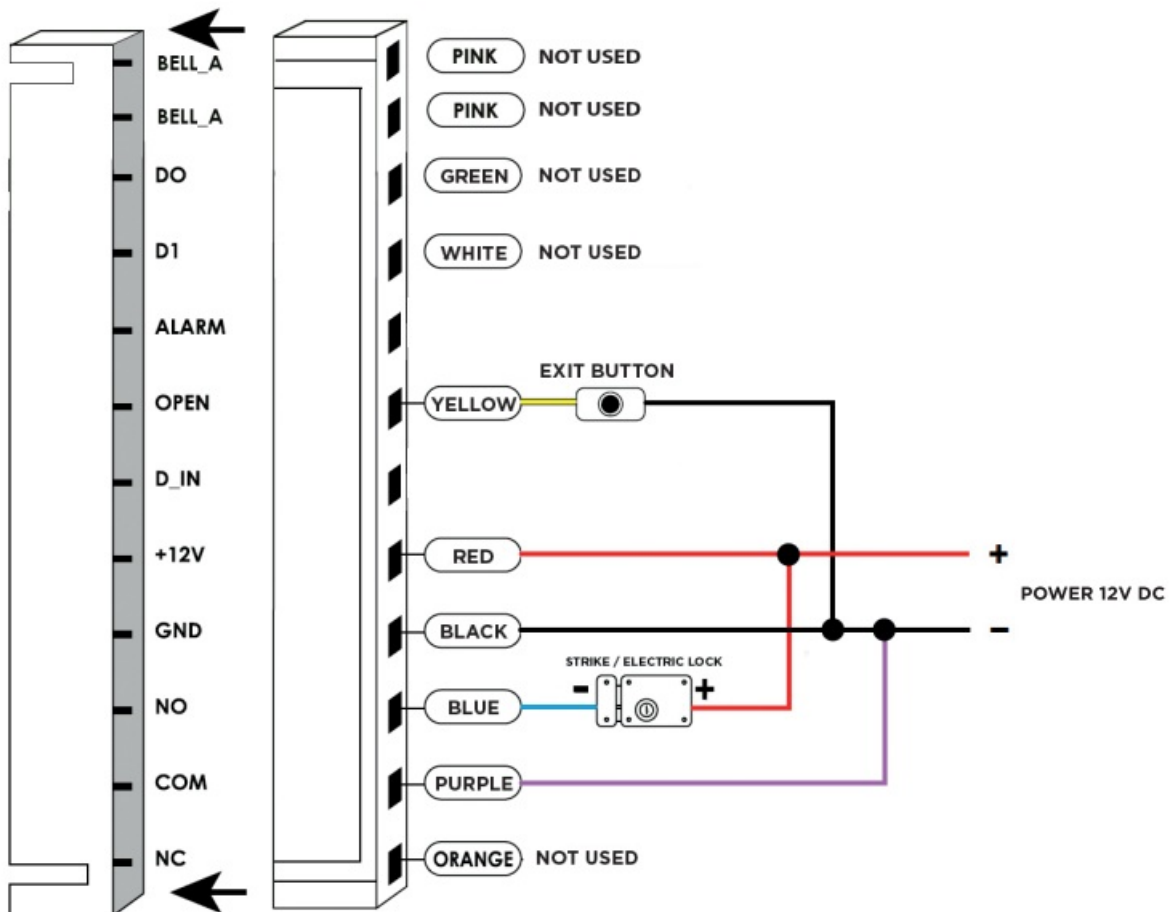
Installing



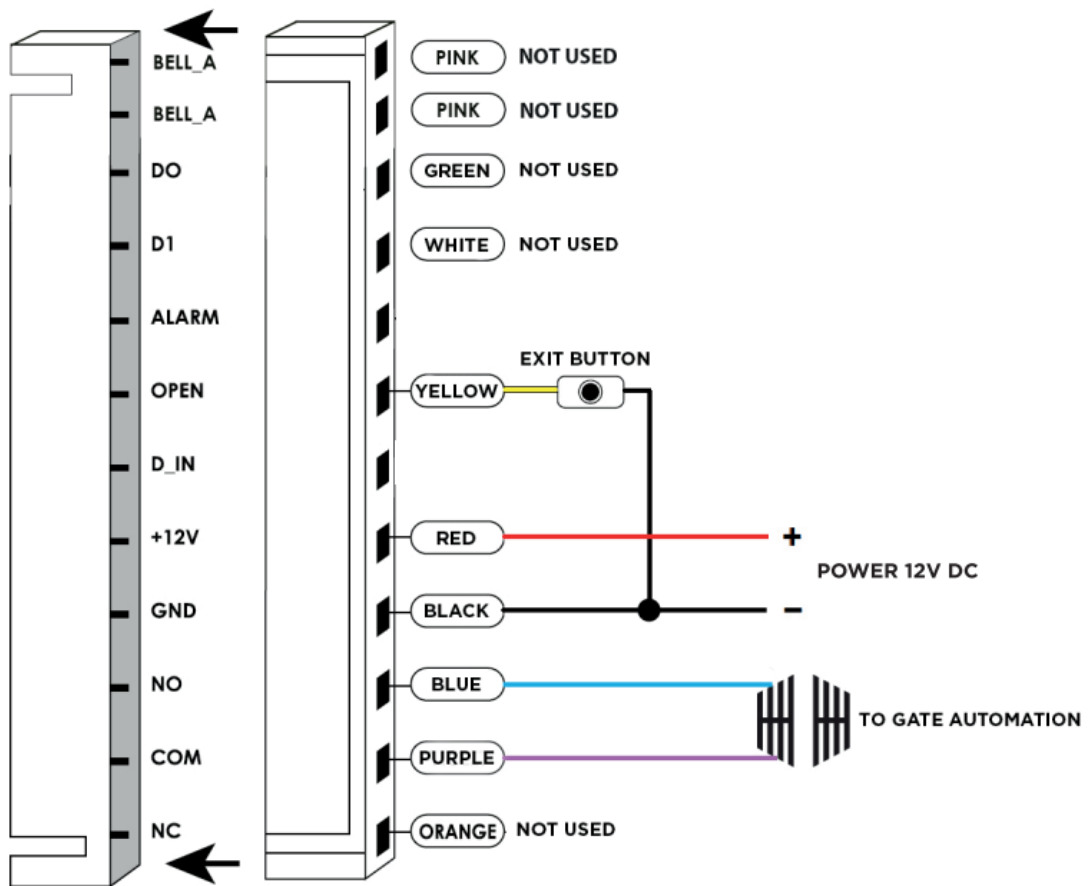
For a better seal, put silicone on the top and the 2 sides of the keypad

Wiring diagram

To strike/electric lock



To gate automation



TO RESET TO FACTORY DEFAULT

- Disconnect power from the unit
- Press and hold # key whilst powering the unit back up
- On hearing two “Di” release # key, system is now back factory settings
Please note only installer data is restored, user data will not be affected.

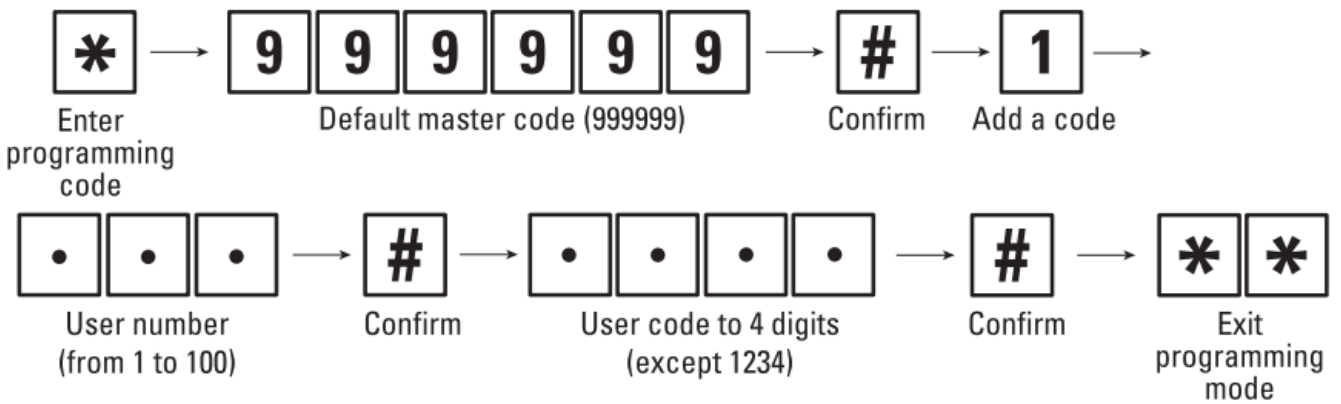
INDICATIONS

Open the door		Bright		DI
Stand by	Bright			
Press keypad				DI
Operation successful		Bright		DI
Operation failed				DI DI DI
Enter into programming mode	Bright			
In the programming mode			Bright	DI
Exit from the programming mode	Bright			DI

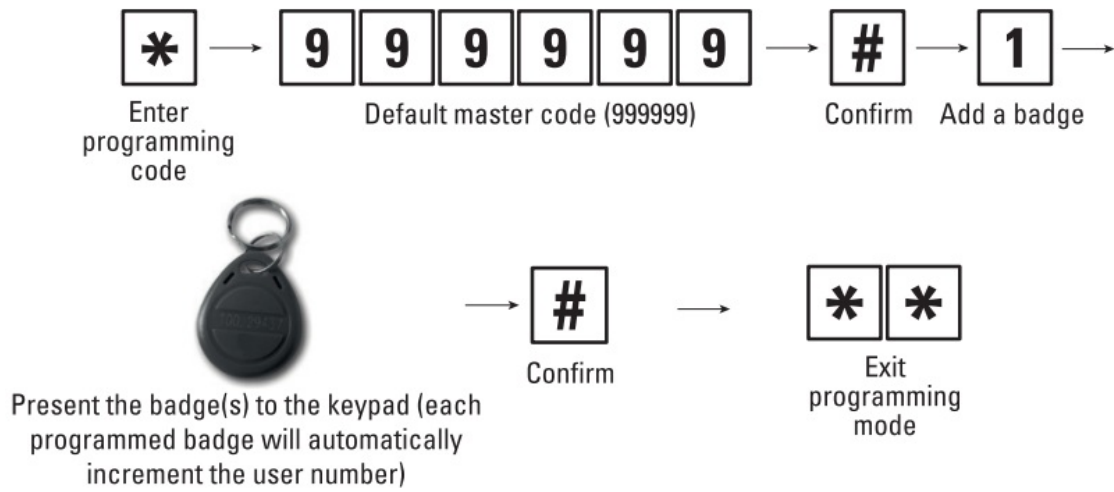
USING

Fast programming

Programming a code

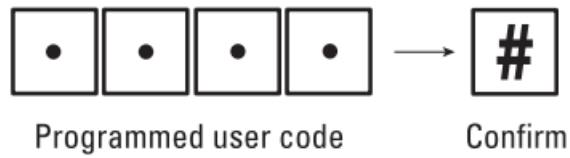


Programming a badge



Door opening

- Trigger the opening through user code



- To trigger the opening with a badge, you only have to present the badge in front of the keypad.

Detailed Programming Guide

User Settings

To enter the programming mode Master code
 999999 is the default factory master code

To exit from the programming mode

Note that to undertake the following programming the master user must be logged in

<p>Setting the working mode: Set valid card only users Set valid card and PIN users</p> <p>Set valid card or PIN users</p>	<p>Entry is by card only</p> <p>B 1 Entry is by card and PIN together</p> <p>g Entry is by either card or PIN (default)</p>
<p>To add a user in either card or PIN mode, i.e. in the mode. (Default setting)</p>	
<p>To add a PIN user</p>	<p>User ID number PIN The ID number is any number between 1 & 100. The PIN is any four digits between 0000 & 9999 with the exception of 1234 which is reserved. Users can be added continuously without exiting programming mode as follows: User ID no 1 PIN User ID no 2</p>
<p>To delete a PIN user</p>	
<p>To change the PIN of a PIN user (This step must be done out of programming mode)</p>	
<p>To add a card user (Method 1) This is the fastest way to enter cards, user IDs can be added continuously without exiting programming mode. ID number auto generation.</p>	

<p>To add a card user !Method 2) This is the alternative way to enter cards using user ID Allocation. In this method a user ID is allocated to a card. Only one user ID can be allocated to a single card.</p>	<p>User can be added continuously without exiting programming mode</p>
--	--

<p>To delete a card user by card. Note users can be deleted continuously without exiting programming mode</p>

<p>To delete a card user by user ID. This option can be used when a user has lost their card</p>
--

	<p>To add a card and PIN user in card and PIN mode I</p>	<p>I</p>
--	--	----------

<p>To Add a card and Pin user !The PIN is any four digits between 0000 & 9999 with the exception of 1234 which is reserved.)</p>	<p>Add the card as for a card user Press</p> <ul style="list-style-type: none"> • to exit from the programming mode Then allocate the card a PIN as follows:
--	---

<p>To change a PIN in card and PIN mode I Method 1) Note that this is done outside programming mode so the user can undertake this themselves</p>	
---	--

<p>To change a PIN in card and PIN mode ! Method 2) Note that this is done outside programming mode so the user can undertake this themselves</p>	
<p>To delete a Card and PIN user just delete the card</p>	
<p>To add and delete a card user in card mode g</p>	
<p>To Add and Delete a card user</p>	<p>The operating is the same as adding and deleting a card user in g</p>
<p>TO DELETE ALL USERS</p>	
<p>To delete all users. Note that this is 2 0000 # a dangerous option so use with care</p>	<p>0000</p>
<p>TO UNLOCK THE DOOR</p>	
<p>For a PIN</p>	<p>user Enter the PIN then press</p>
<p>For a card User</p>	

For a card and PIN user

Door settings

RELAY OUTPUT DELAY TIME	
To set door relay strike time ;	Master code • 0-99 is to set the door relay time 0-99 seconds

Changing the master code

Changing the master code	The master code consists of 6 to 8 digits
--------------------------	---

For security reasons we recommend changing the master code from default.

TECHNICAL FEATURES

- **Voltage:** 12V DC +/-10%
- **Badge reading distance:** 3-6 cm
- **Active current:** < 60mA
- **Stand-by current:** 25±5mA
- **Lock load output:** 3A max
- **Operating temperature:** -45°C – 60°C
- **Degree of humidity:** 10% – 90% RH
- Relay output delay time
- **Possible wiring connections :** electric lock, gate automation, exit button
- Backlight keys
- 2000 users, supports badge, PIN, badge+ PIN
- Full programming from the keypad
- Can be used as a stand alone keypad
- The keyboard can be used to remove the lost badge number, thoroughly eliminate the hidden safety trouble
- Adjustable Door Output time, Alarm time, Door Open time
- Fast operating speed
- Lock output current short circuit protection
- Indicator light and buzzer
- **Frequency:** 125kHz
- **Maximum transmitted power:** 2,82mW
- **Protection rating:** IP68

WARRANTY

Warranty 2 Year


The invoice will be required as proof of purchase date. Please keep it during the warranty period. Carefully keep the barcode and the proof of purchase, that will be necessary to claim warranty.

WARNINGS

- Keep matches, candles and flames away from the device.
- Product functionality can be influenced by a strong electromagnetic interference.
- This equipment is intended for private consumer use only.
- Connect all the parts before switching on the power.
- Do not cause any impact on the elements as their electronics are fragile.
- When installing the product, keep the packaging out of reach of children and animals. It is a source of potential danger.
- This appliance is not a toy. It is not designed to be used by children.
- Disconnect the appliance from the main power supply before service. Do not clean the product with solvent, abrasive or corrosive substances. Only use a soft cloth. Do not spray anything on the appliance.
- Make sure that your appliance is properly maintained and regularly checked in order to detect any sign of wear. Do not use it if a repair or adjustment is needed. Always call on qualified personnel.
- Don't throw batteries or out of order products with the household waste (garbage). The dangerous substances that they are likely to include may harm health or the environment. Make your retailer take back these products or use the selective collect of garbage proposed by your city.

FOR MORE INFO: www.scs-sentinel.com

Documents / Resources

	<p>SCS Sentinel RFID Code Access Coding Keyboard [pdf] User Manual RFID Code Access Coding Keyboard, RFID, Code Access Coding Keyboard, Coding Keyboard</p>
---	---