


scs-sentinel AAA0037 CodeAccess RFID Keypad



# scs-sentinel AAA0037 CodeAccess RFID Keypad User Guide

[Home](#) » [SCS sentinel](#) » [scs-sentinel AAA0037 CodeAccess RFID Keypad User Guide](#) 

## Contents

- [1 scs-sentinel AAA0037 CodeAccess RFID Keypad](#)
- [2 SAFETY INSTRUCTIONS](#)
- [3 DESCRIPTION](#)
- [4 WIRING/ INSTALLING](#)
- [5 INDICATIONS](#)
- [6 USING](#)
- [7 TECHNICAL FEATURES](#)
- [8 Online assistance](#)
- [9 Documents / Resources](#)
  - [9.1 References](#)
- [10 Related Posts](#)



**scs-sentinel AAA0037 CodeAccess RFID Keypad**

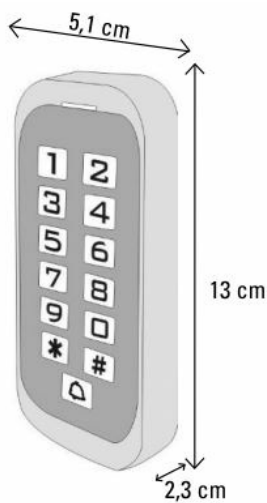


## SAFETY INSTRUCTIONS

- This manual is an integral part of your product.
- These instructions are provided for your safety. Read this manual carefully before installing and keep it in a safe place for future reference. Select a suitable location.
- Make sure you can easily insert screws and wallplugs into the wall.
- Do not connect your electrical appliance until your equipment is installed and controlled.
- The installation, electric connections, and settings must be made using best practices by a specialized and qualified person.
- The power supply must be installed in a dry place. Check the product is only used for its intended purpose.

## DESCRIPTION

### Content/ Dimensions



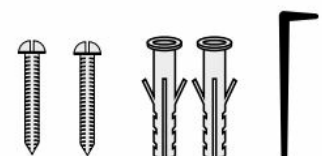
**Keypad**



**5 RFID badges**



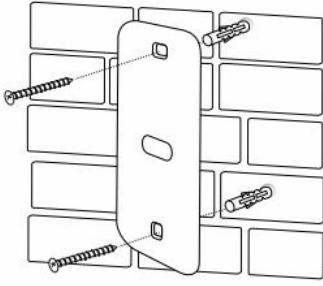
**Manual**



**Screws + Anti-vandal key**

## WIRING/ INSTALLING

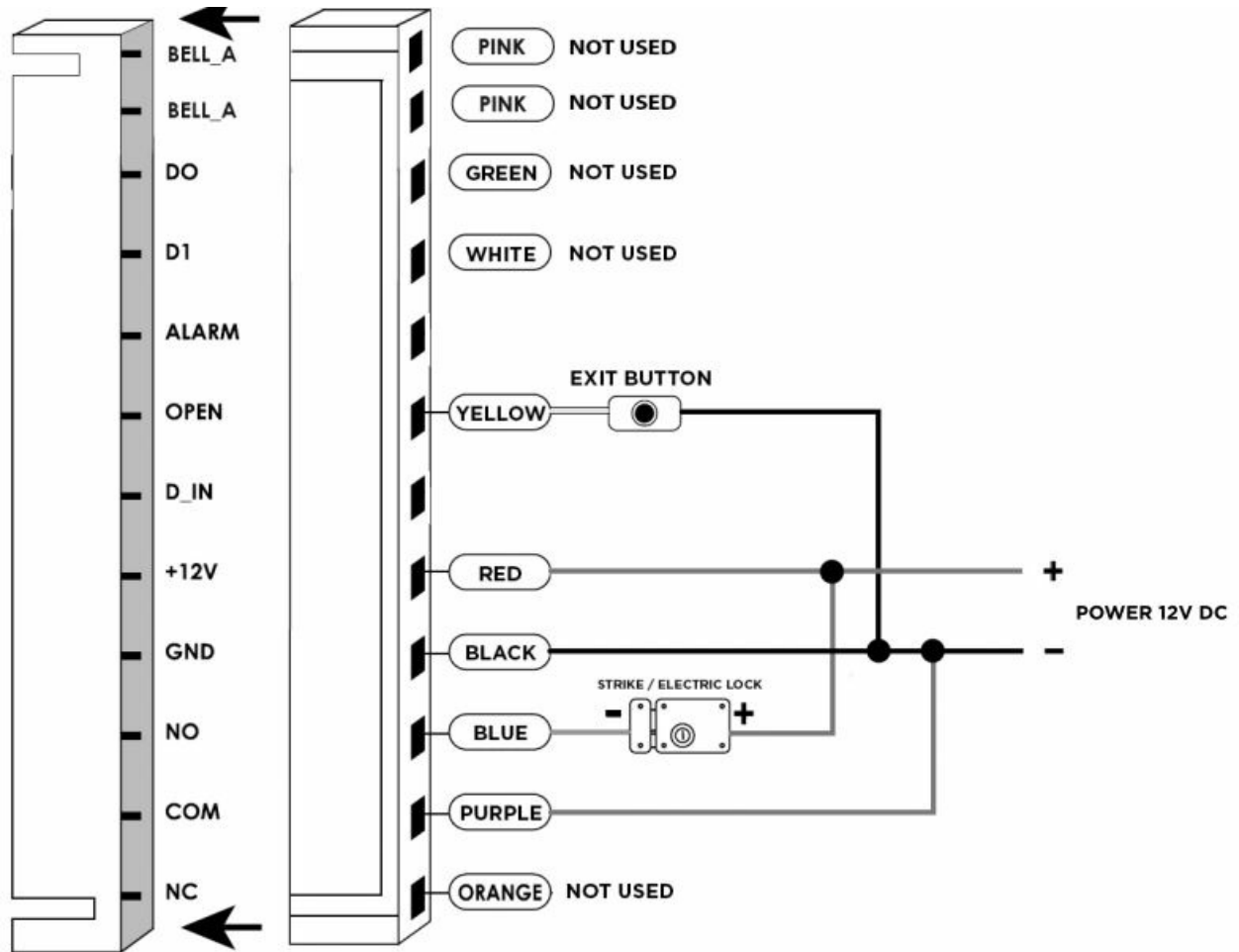
## Installing



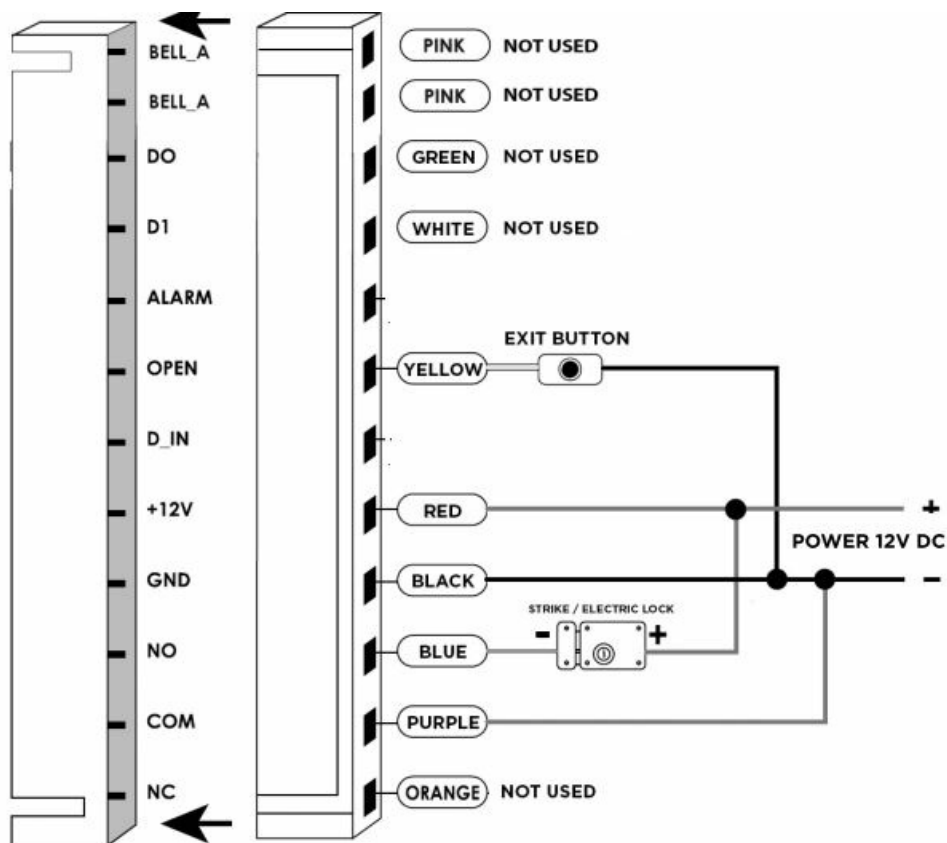
## Wiring diagram

You don't need a transformer if your automation is an SGS Sentinel.

### To strike/electric lock



### To gate automation



#### D. TO RESET TO FACTORY DEFAULT

- a. Disconnect power from the unit
- b. Press and hold the # key whilst powering the unit back up
- c. On hearing two “Di” release# key, the system is now back to factory settings
- Please note only installer data is restored, user data will not be affected.

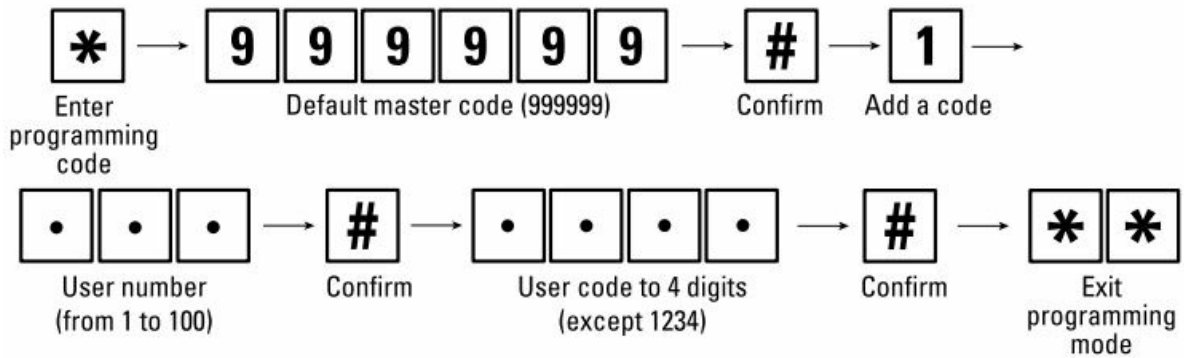
#### INDICATIONS

Operation Status	Red Light	Green Light	Yellow light	Buzzer
Open the door		Bright		DI
Stand by	Bright			
Press keypad				DI
Operation successful		Bright		DI
Operation failed				DI DI DI
Enter into programming mode	Bright			
In the programming mode			Bright	DI
Exit from the programming mode	Bright			DI

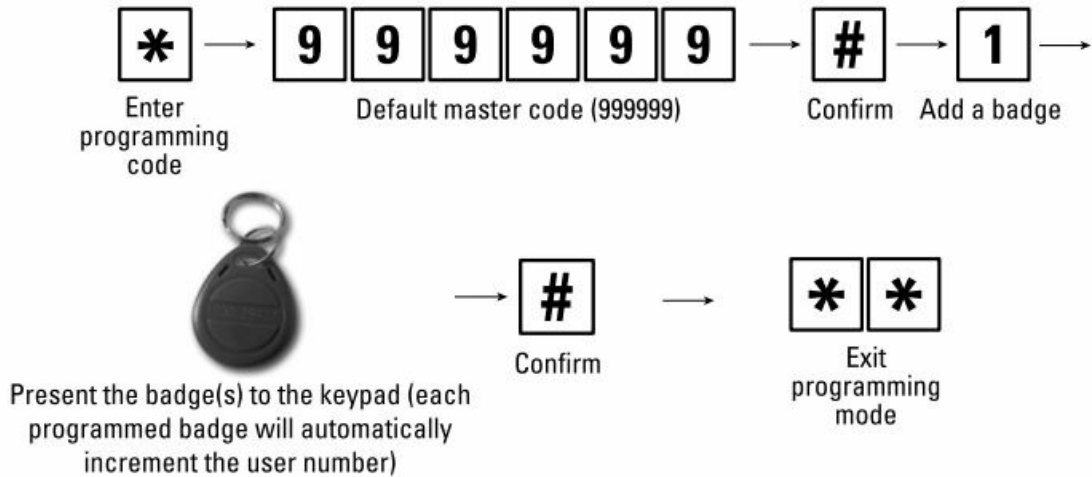
#### USING

##### F1- Fast programming

## Programming a code

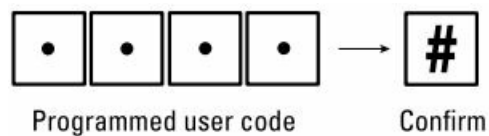


## Programming a badge



## Door opening

Trigger the opening through the user code



To trigger the opening with a badge, you only have to present the badge in front of the keypad.

## Detailed Programming Guide User Settings

To enter the programming mode Master code 999999 is the default factory master code	
To exit from the programming mode	
<b>Note that to undertake the following programming the master user must be logged in</b>	
Setting the working mode: Set valid card only users Set valid card and PIN users Set valid card or PIN users	BO Entry is by card only <b>B1</b> Entry is by card and PIN together Be# Entry is by either card or PIN (default)
To add a user in either card or PIN mode, i.e. in the <b>3 2</b> mode. (Default setting)	
To add a PIN user	<b>1</b> User ID number PIN# The ID number is any number between 1 & 100. The PIN is any four digits between 0000 & 9999 except 1234 which is reserved. Users can be added continuously without exiting the programming mode  as follows: User ID no 1 PIN User ID no 2  PIN
To delete a PIN user	<b>2</b> User ID number Users can be deleted continuously without exiting programming mode
To change the PIN of a PIN user! This step must be done out of programming mode)	'IDnumber# Old PIN New"00  <b>New PIN#</b>
To add a card user ! Method 1) This is the fastest way to enter cards and user ID number auto-generation.	<b>1</b> Read card W Cards can be added continuously without exiting programming mode
To add a card user ! Method 2) This is the alternative way to enter cards using user ID Allocation. In this method, a user ID is allocated to a card. Only one user ID can be allocated to a single card.	<b>1</b> ID number Read card User can be added continuously without exiting the programming mode

To delete a card user by card. Note users can be deleted continuously without exiting the programming mode
To delete a card user by user ID. This option can be used when a user has lost their card
To add a card and PIN user in card and PIN mode   <b>31</b>

To Add a card and Pin user!(The PIN is any four digits between 0000 & 9999 except for 1234 which is reserved.)	Add the card as a card user Press to exit from the programming mode Then allocate the card a PIN as follows: Read card 1234 PIN# PIN#
To change a PIN in card and PIN mode !Method 1) Note that this is done outside programming mode so the user can undertake this themselves	11 Read Card OldPIN# New PIN#. New PIN#
To change a PIN in card and PIN mode ! Method 2) Note that this is done outside programming mode so the user can undertake this themselves	<ul style="list-style-type: none"> <li>• 10 uniliteral Old PIN New PIN# New PIN#</li> </ul>
To delete a Card and PIN user just deletes the card	User ID#.
To add and delete a card user in card mode 10 0 #. I	
To Add and Delete a card user	The operation is the same as adding and deleting a card user in 3 2W
<b>TO DELETE ALL USERS</b>	
To delete all users. Note that this is 2 0000 # a dangerous option so use it with care	0000
<b>TO UNLOCK THE DOOR</b>	
For a PIN	user Enter the PIN then press
For a card User	Read card
For a card and PIN user	Read the card then enter PIN#

## Door settings

<b>RELAY OUTPUT DELAY TIME</b>	
To set door relay strike time	Master code # 4 0~99 # * 0-99 is to set the door relative time 0-99 seconds

### Changing the master code

Changing the master code	0 New code New code The master code consists of 6 to 8 digits
--------------------------	--

For security reasons, we recommend changing the master code from default.

### TECHNICAL FEATURES

- **Voltage** 12V DC +/-10%
- **Badge reading distance** 3-6 cm
- **Active current** < 60mA
- **Stand-by current** 25±5mA
- **Lock load output** 3A max
- **Operating temperature** -45°C – 60°C
- **Degree of humidity:** 10% – 90% RH
- **Relay output** delay time
- **Possible wiring connections:** electric lock, gate automation, exit button
- **Backlight** keys
- **2000 users**, supports badge, PIN, badge+ PIN
- **Full programming** from the keypad
- **Can be used** as a stand-alone keypad
- **The keyboard** can be used to remove the lost badge number, thoroughly eliminate the hidden safety trouble
- **Adjustable Door** Output time, Alarm time, Door Open time
- **Fast operating** speed
- **Lock output current** short circuit protection
- **Indicator** light and buzzer
- **Frequency:** 125kHz
- **Maximum transmitted power:** <20mW
- **Protection rating:** IP68

### Online assistance

#### Any question?

- For an individual answer, use our online chat on our website [www.scs-sentinel.com](http://www.scs-sentinel.com)

### H-WARRANTY



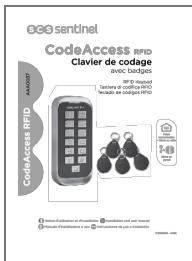
- The invoice will be required as proof of purchase date. Please keep it during the warranty period.
- Carefully keep the barcode and the proof of purchase, which will be necessary to claim a warranty.

## I-WARNINGS

- Keep matches, candles, and flames away from the device.
- Product functionality can be influenced by strong electromagnetic interference.
- This equipment is intended for private consumer use only.
- Connect all the parts before switching on the power.
- Do not cause any impact on the elements as their electronics are fragile.
- When installing the product, keep the packaging out of reach of children and animals. It is a source of potential danger.
- This appliance is not a toy. It is not designed to be used by children.
- Disconnect the appliance from the main power supply before service.
- Do not clean the product with solvent, abrasive, or corrosive substances.
- Only use a soft cloth. Do not spray anything on the appliance.
- Make sure that your appliance is properly maintained and regularly checked to detect any sign of wear.
- Do not use it if a repair or adjustment is needed. Always call on qualified personnel.
- Don't throw batteries or out-of-order products with the household waste (garbage).
- The dangerous substances that they are likely to include may harm health or the environment.
- Make your retailer take back these products or use the selective collection of garbage proposed by your city.
- **Direct current IP68:** Fully protected against dust+ protected against the effects of prolonged immersion (at least one hour at one-meter depth)
- Toutes les infos sure: [www.scs-sentinel.com](http://www.scs-sentinel.com).



- sentinel 110 rue Pierre-Gilles de Gennes 49300 Chol et (France)



[scs-sentinel AAA0037 CodeAccess RFID Keypad](#) [pdf] User Guide  
AAA0037 CodeAccess RFID Keypad, AAA0037, CodeAccess RFID Keypad, RFID Keypad, Keypad

## References

- [User Manual](#)

### Manuals+ Privacy Policy

This website is an independent publication and is neither affiliated with nor endorsed by any of the trademark owners. The "Bluetooth®" word mark and logos are registered trademarks owned by Bluetooth SIG, Inc. The "Wi-Fi®" word mark and logos are registered trademarks owned by the Wi-Fi Alliance. Any use of these marks on this website does not imply any affiliation with or endorsement.