

SCANSTRUT  
SC-SL-01 Starlink  
Luminium Wedge  
Mount



## Contents

- [1 SCANSTRUT SC-SL-01 Starlink Luminium Wedge Mount](#)
- [2 Part List](#)
- [3 Parts Required](#)
- [4 Tools Required](#)
- [5 Waterproof Cable Routing](#)
- [6 Recommended Starlink Cable Length](#)
- [7 Installation Instructions](#)
- [8 FAQ](#)
- [9 Documents / Resources](#)
  - [9.1 References](#)
- [10 Related Posts](#)

# SCANSTRUT®

## SCANSTRUT SC-SL-01 Starlink Luminium Wedge Mount



### Product Specifications

- Model: SC-SL-01 / SC-SL-01-BLK
- Part List Number: PT-004765
- Issue Date: 10-06-2024 (Issue 3)

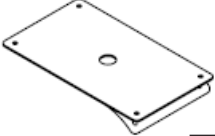


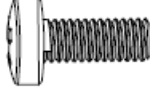
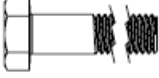
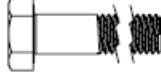






### Waterproof Cable Routing

Pass the smaller connector through the cable seal until the length is at least 600mm (23.6 inches). For routing multiple cables, add 1.5mm for each additional cable.

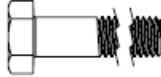
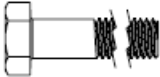
### Recommended Starlink Cable Length

Ensure the cable length is greater than 600mm (23.6 inches).

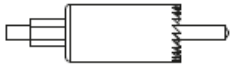
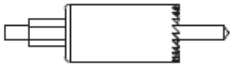






## Part List

 PT-004765 Foam Seal x1	 101819 DS30 Shell x1	 DS30 Bungs x2	 60402 M4 x 10 Bolt x4
 60818 M8 x 16 Hex Tops x6	 60821 M8 x 25 Hex Tops x4	 60080 M8 Nyloc Nuts x4	 60857 M8 Nut Caps x4
 64015 M8 Nylon Shoulder Washers x10	 60084 M8 Nylon Washers x4	 6004972 1/4" Stainless Steel Washers x4	 60637 1/4" x 5/8" Cap Head Screws x4

## Parts Required

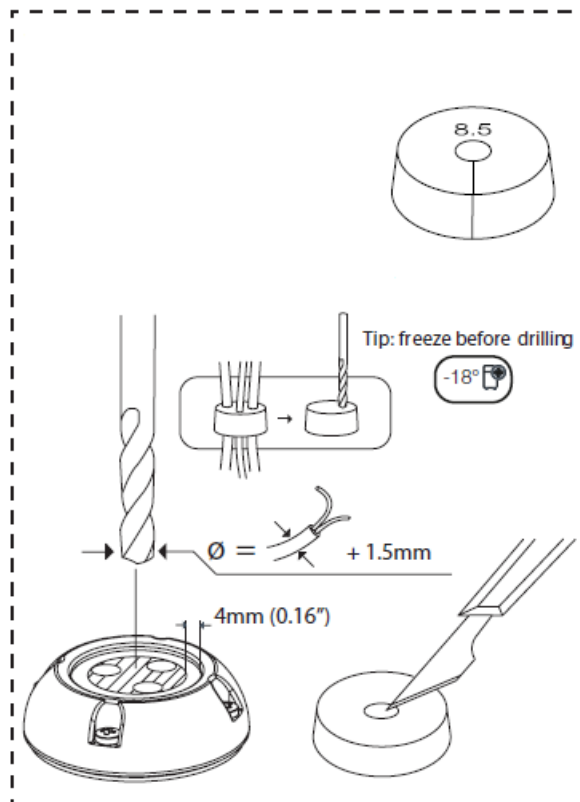
<b>Option A</b>  M8 x 25mm+ Hex Tops x4	<b>Option B</b>  M10 x 25mm+ Hex Tops x4
--	---

## Tools Required

Option A	Option B
 <p>ø32mm (1 1/4") Hole Saw/Drill Bit</p>	 <p>ø50-70mm (2"-2 3/4") Hole Saw</p>
 <p>ø8.5mm (21/64") Drill Bit</p>	 <p>No.1 Pozi Drive Screwdriver</p>
 <p>Power Drill</p>	 <p>3/16" Allen Key</p>
 <p>13mm Spanner</p>	 <p>Thread Lock</p>

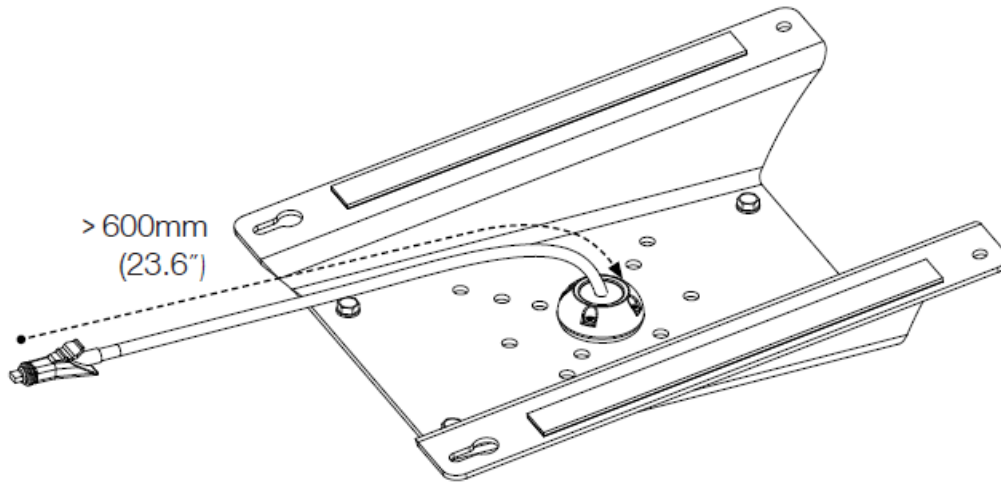
## Waterproof Cable Routing

- **1a** Use the ø8.5mm bung supplied for routing the Starlink cable.
- **1b** For routing a number of cables.

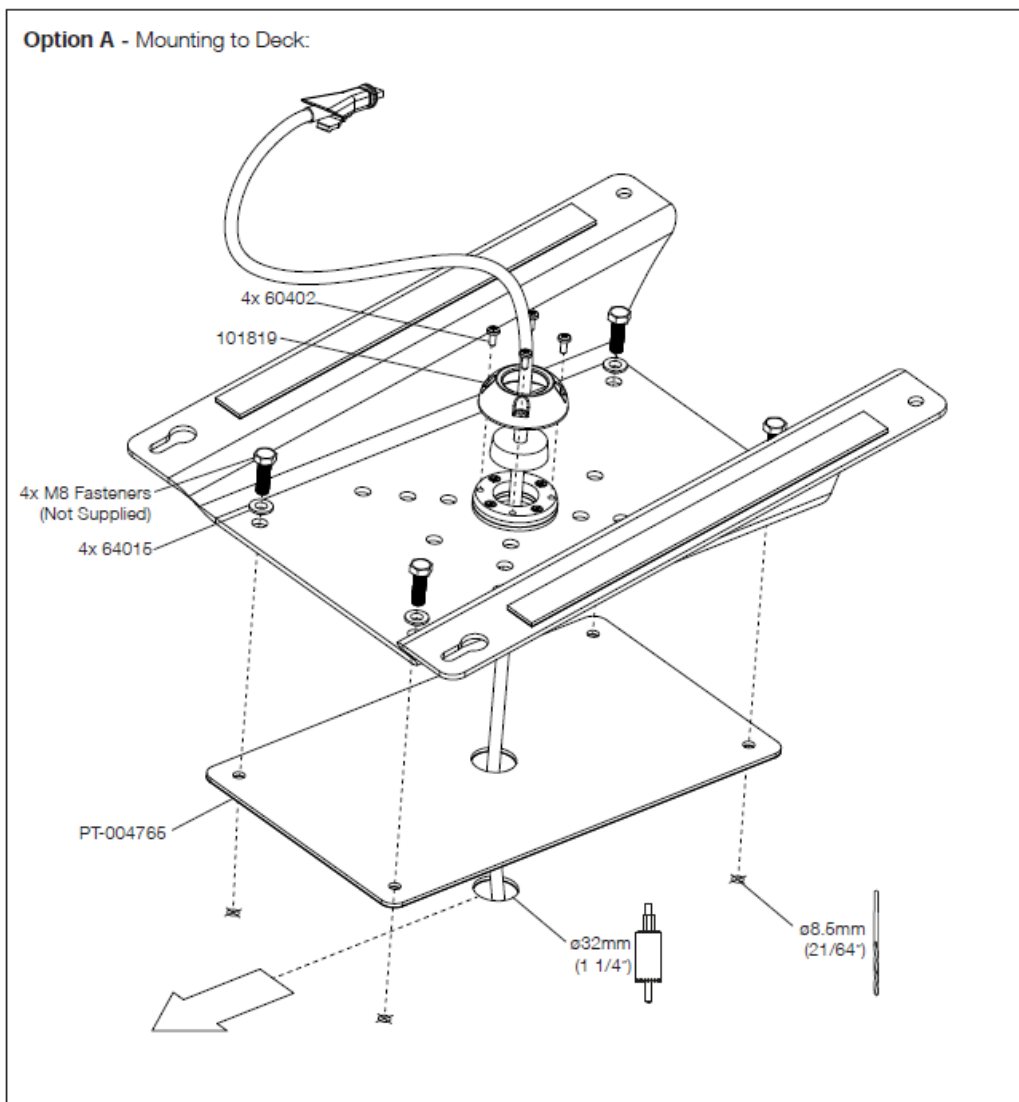


## Recommended Starlink Cable Length

Pass smaller connector through the cable seal until the length is at least 600mm (23.6").

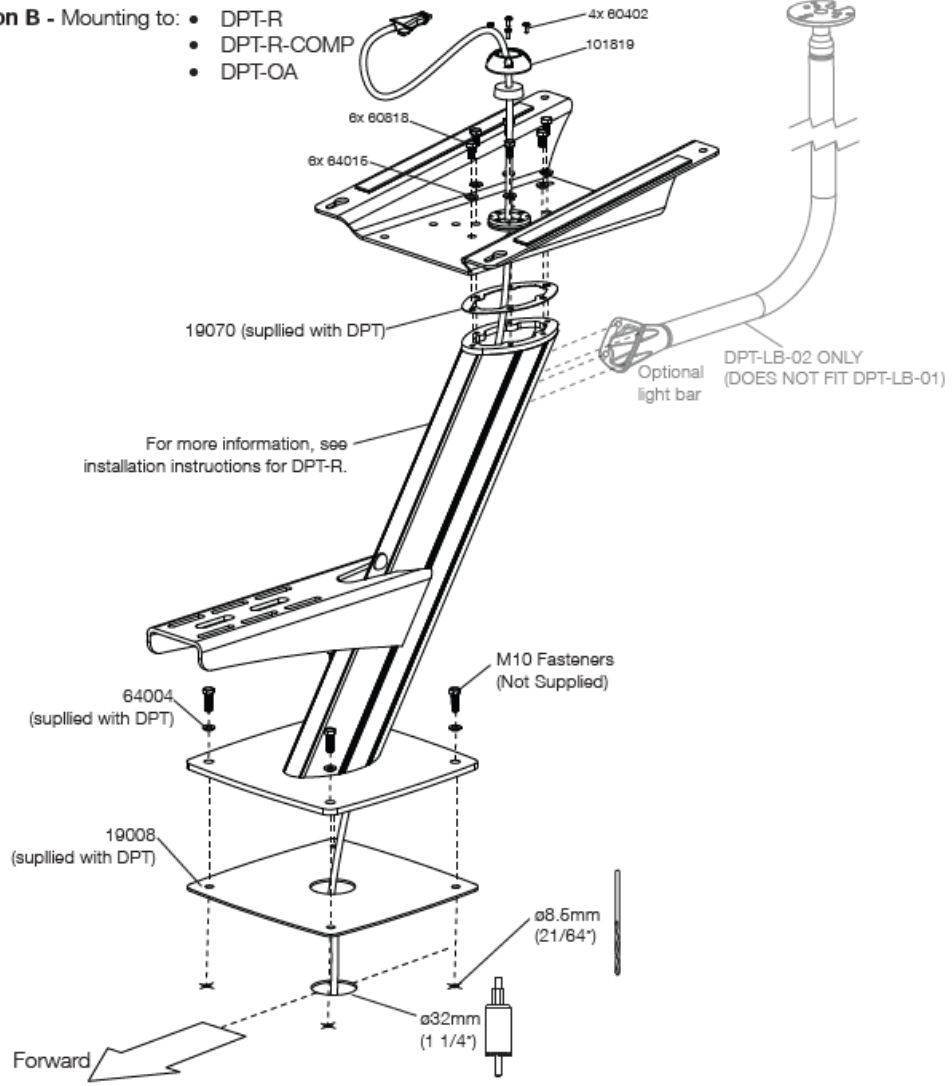


## Installation Instructions



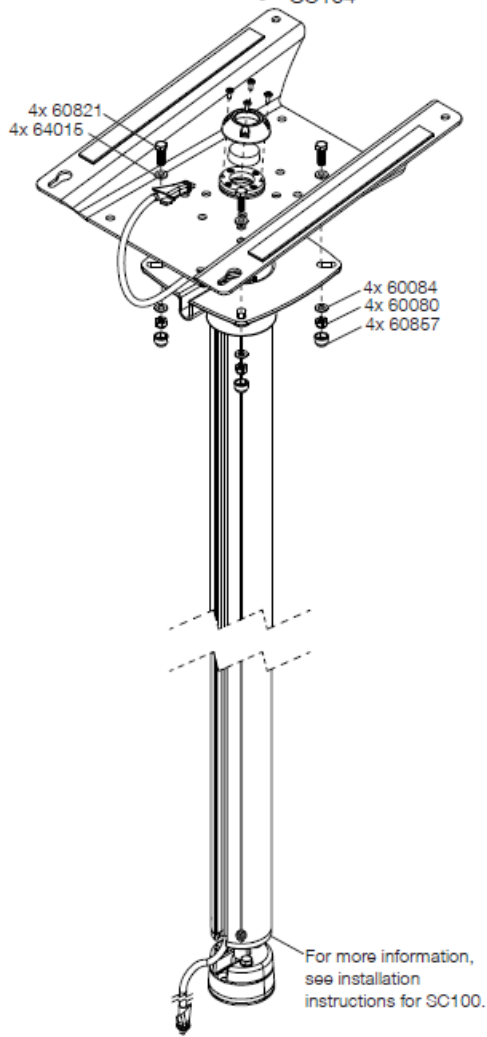
**Option B - Mounting to:**

- DPT-R
- DPT-R-COMP
- DPT-OA

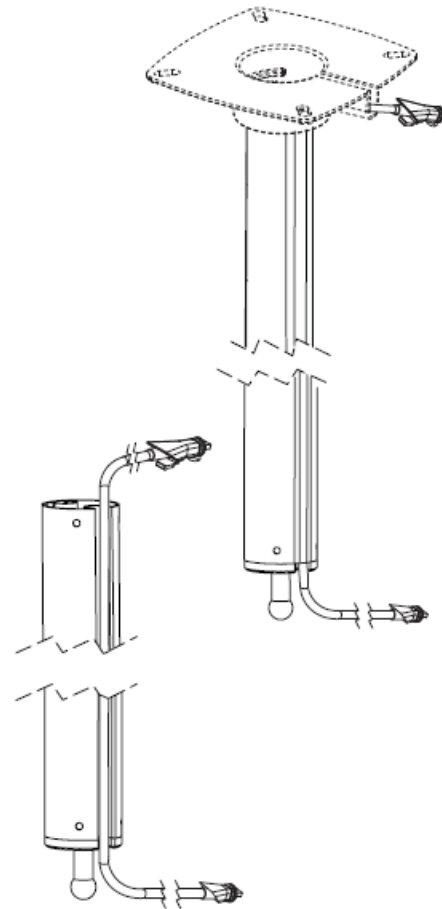


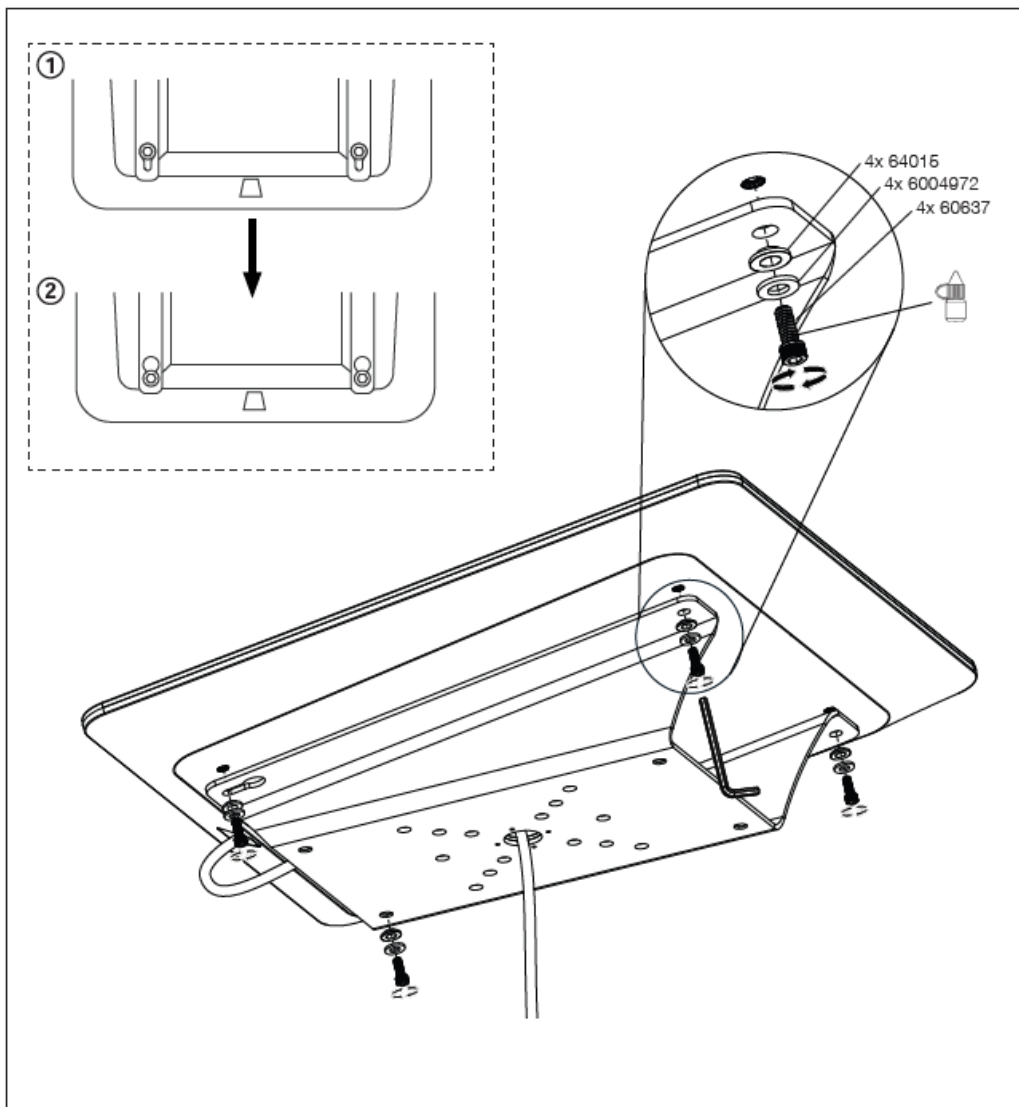
**Option C - Mounting to:**

- SC103
- SC104



**Recommended Cable Routing:**





## IMPORTANT

- Wedge Mounts are only compatible with marine electronics devices as stated in the latest Scanstrut Product Guide – subject to change without prior notice.
- Use of the Wedge Mounts with unapproved products, or overloading, invalidates any product warranty.
- Scanstrut does not supply fastenings to fix this product to the chosen surface. Please choose suitable fastenings for this purpose. No liability is accepted for damage caused by incorrect installation.
- The installation and assembly must be regularly inspected for evidence of damage or loose parts.
- Product has been designed specifically for the mounting of approved marine electronics under normal boating conditions.

### UK & International

+44 (0)1392531280

[sales@scanstrut.com](mailto:sales@scanstrut.com)

### Scanstrut Ltd

Dart Business Park,  
Clyst St. George, Exeter  
EX3 0QH, UK

For further installation and warranty information please visit: [www.scanstrut.com](http://www.scanstrut.com)

## FAQ

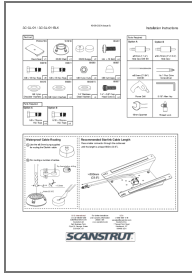
- **Q: What tools are required for installation?**

A: Depending on the option chosen (A or B), tools such as a power drill, spanner, and screwdrivers are needed. Refer to the installation instructions for a detailed list of tools.

- **Q: What is the recommended cable routing procedure?**

A: Pass the smaller connector through the cable seal until the length is at least 600mm (23.6 inches) and add 1.5mm for each additional cable being routed.

## Documents / Resources



[SCANSTRUT SC-SL-01 Starlink Luminium Wedge Mount \[pdf\]](#) Installation Guide  
SC-SL-01, SC-SL-01-BLK, SC-SL-01 Starlink Luminium Wedge Mount, SC-SL-01, Starlink Luminium Wedge Mount, Luminium Wedge Mount, Wedge Mount

## References

- [User Manual](#)

[Manuals+](#), [Privacy Policy](#) | [@manuals.plus](#) | [YouTube](#)

This website is an independent publication and is neither affiliated with nor endorsed by any of the trademark owners. The "Bluetooth®" word mark and logos are registered trademarks owned by Bluetooth SIG, Inc. The "Wi-Fi®" word mark and logos are registered trademarks owned by the Wi-Fi Alliance. Any use of these marks on this website does not imply any affiliation with or endorsement.