

[Skip to content](#)

**Manuals+**

User Manuals Simplified.



## SAMSUNG QE43QN90BAT 43-Inch 4K HDR QLED Smart TV User Guide

August 5, 2022 August 6, 2022 [Leave a comment on SAMSUNG QE43QN90BAT 43-Inch 4K HDR QLED Smart TV User Guide](#)

[Home](#) » [Samsung](#) » [SAMSUNG QE43QN90BAT 43-Inch 4K HDR QLED Smart TV User Guide](#)



QE43QN90BAT 43-Inch 4K HDR  
QLED Smart TV  
User Guide

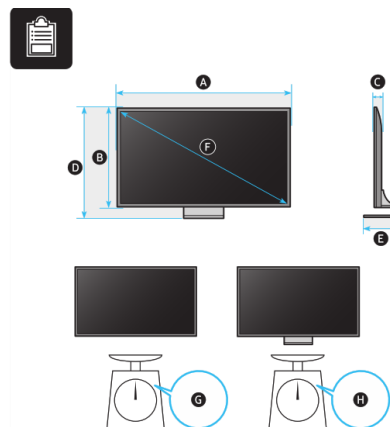
Contents [hide](#)

[1 QE43QN90BAT 43-Inch 4K HDR QLED Smart TV](#)

[2 Documents / Resources](#)

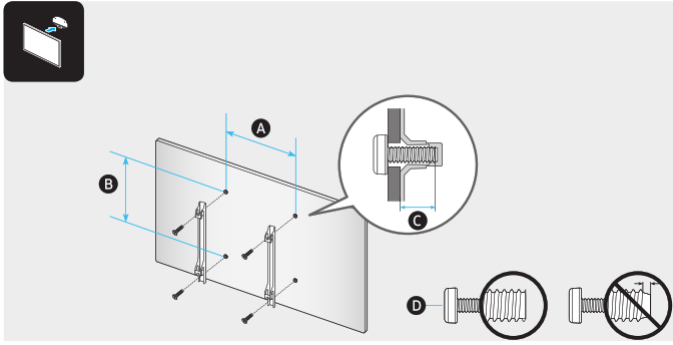
[2.1 Related Manuals / Resources](#)

### QE43QN90BAT 43-Inch 4K HDR QLED Smart TV



	A	B	C	D	E	F	G	H
43QN9*B 43QNB9*	37.8 inches (960.8 mm) (96.08 cm)	22.0 inches (558.9 mm) (55.89 cm)	1.1 inches (26.9 mm) (2.69 cm)	24.5 inches (623.4 mm) (62.34 cm)	8.8 inches (223.0 mm) (22.30 cm)	42.5 inches (108 cm)	20.3 lbs (9.2 kg)	30.4 lbs (13.8 kg)
50QN9*B 50QNB9*	43.8 inches (1113.6 mm) (111.36 cm)	25.4 inches (6441 mm) (64.41 cm)	1.1 inches (26.9 mm) (2.69 cm)	27.9 inches (708.9 mm) (70.89 cm)	8.8 inches (223.0 mm) (22.30 cm)	49.5 inches (125 cm)	30.9 lbs (14.0 kg)	41.0 lbs (18.6 kg)
55QN9*B 55QNB9*	48.3 inches (1227.4 mm) (122.74 cm)	27.8 inches (705.6 mm) (70.56 cm)	1.0 inches (25.9 mm) (2.59 cm)	30.2 inches (768.0 mm) (76.80 cm)	9.3 inches (235.6 mm) (23.56 cm)	54.6 inches (138 cm)	39.0 lbs (17.7 kg)	48.2 lbs (21.9 kg)
65QN9*B 65QNB9*	56.9 inches (1446.3 mm) (144.63 cm)	32.6 inches (828.7 mm) (82.87 cm)	1.0 inches (25.9 mm) (2.59 cm)	351 inches (891.4 mm) (8914 cm)	11.2 inches (285.7 mm) (28.57 cm)	64.5 inches (163 cm)	53.8 lbs (24.4 kg)	69.2 lbs (31.4 kg)

\* : 0~9, A~Z



43QN9\*B  
43QNB9\*

50QN9\*B  
50QNB9\*

55QN9\*B  
55QNB9\*

65QN9\*B  
65QNB9\*

VESA A x B(mm)

C(mm)

D x 4

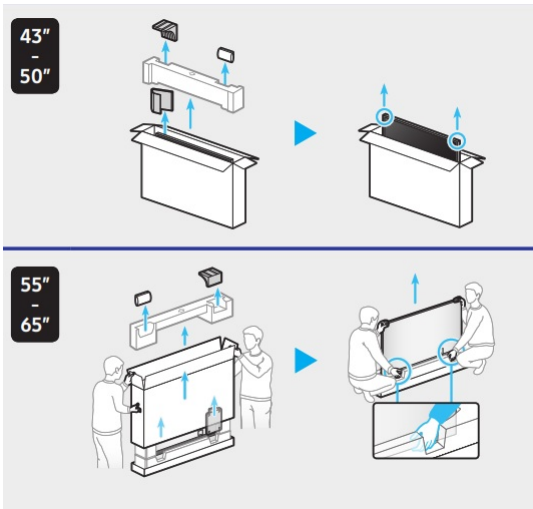
200 x 200

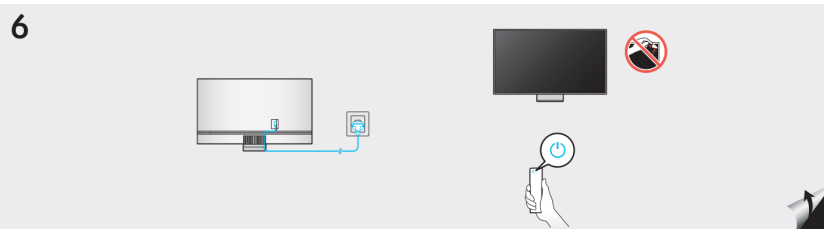
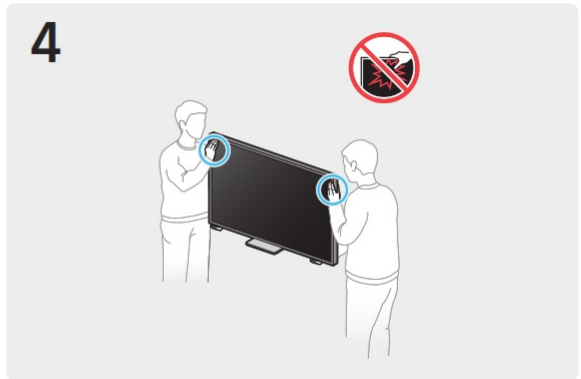
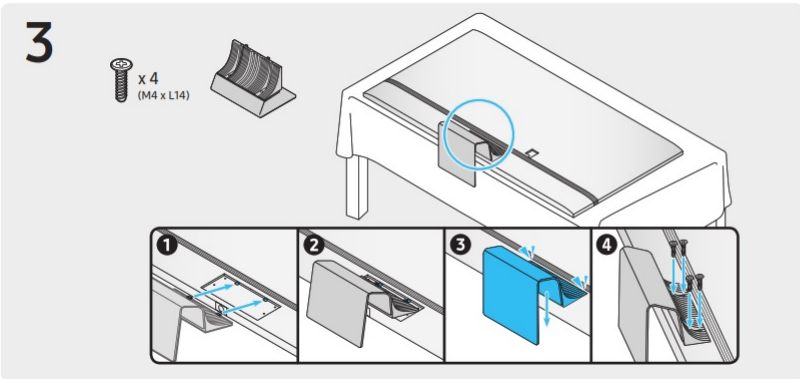
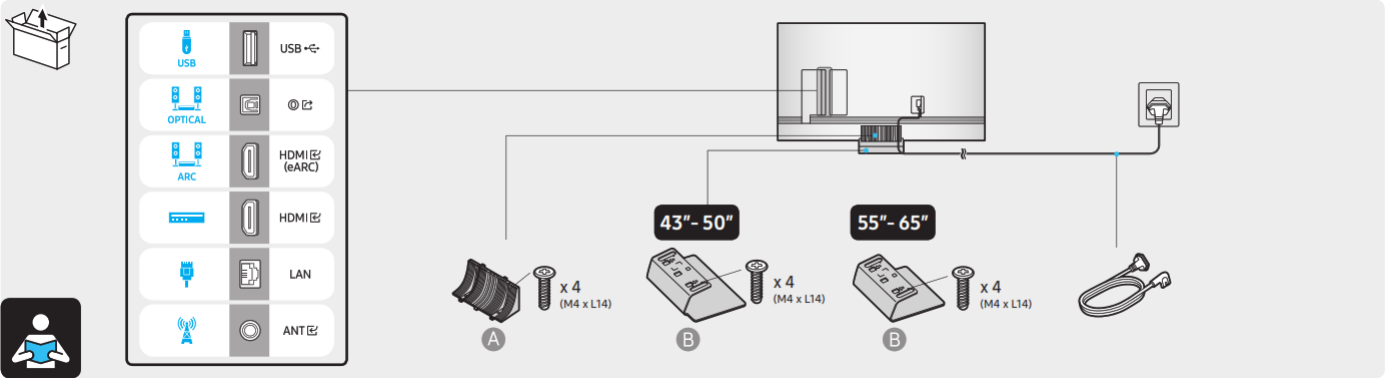
11-13

M8

400 x 300

\* : 0~9, A~Z





QUICK SETUP GUIDE



Documents / Resources



[SAMSUNG QE43QN90BAT 43-Inch 4K HDR QLED Smart TV \[pdf\] User Guide](#)  
 QE43QN90BAT, 43-Inch 4K HDR QLED Smart TV, QE43QN90BAT 43-Inch 4K HDR QLED Smart TV



Related Manuals / Resources

[SAMSUNG QLED Smart 4K TV User Manual](#)

[SAMSUNG Q60A QLED 4K Smart TV User Guide](#)

Samsung QLED 4K Smart TV Q60A (Available in 55" & 65") With 100% Colour Volume, Quantum Dot takes...

[Samsung Smart TV User Manual](#)

Samsung Smart TV User Manual - Optimized PDF Samsung Smart TV User Manual - Original PDF

[SAMSUNG QN75LS03A 75 inch Smart QLED UHD TV Installation Guide](#)

QUICK SETUP GUIDE <http://kaywa.me/9xzgY> BN68-12956A



Leave a comment

Your email address will not be published. Required fields are marked \*

Comment \*

Name

Email

Website

Save my name, email, and website in this browser for the next time I comment.

[Manuals+](#).

- [home](#)
- [privacy](#)