

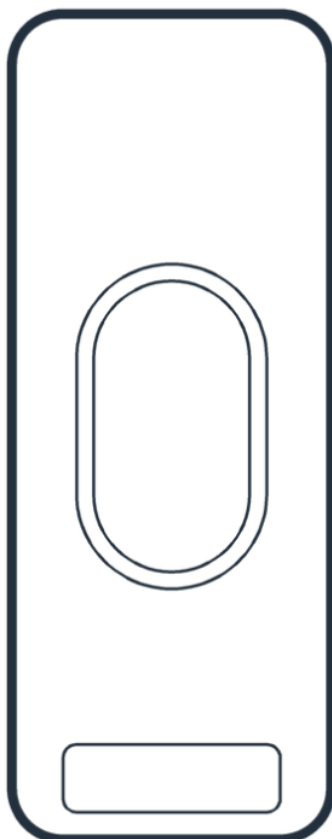


## **safetrust DAEjYW15acU IoT Sensor User Guide**

[Home](#) » [safetrust](#) » safetrust DAEjYW15acU IoT Sensor User Guide 



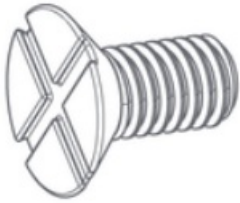

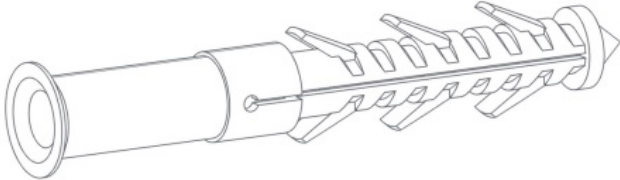
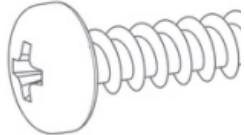
**8845-100 Quickstart Guide  
User Guide**



## Contents

- [1 In the box](#)
- [2 What you'll need](#)
- [3 Installation](#)
- [4 Configuration](#)
- [5 Testing](#)
- [6 Regulatory Information](#)
- [7 Support](#)
- [8 Documents / Resources](#)
  - [8.1 References](#)
- [9 Related Posts](#)

## In the box

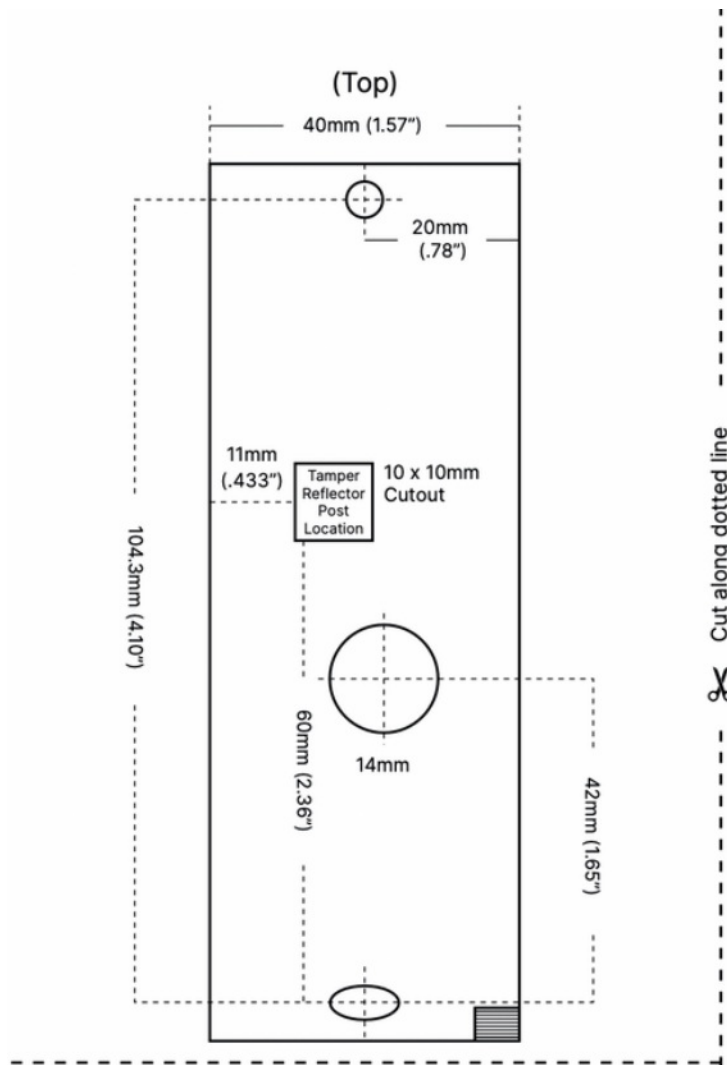
	
#6-32 x .375" Phillips flat head screw Option 2: Secures the top and bottom casing together	Optical tamper reflective post Adhered to the surface where the se
	
Nylon wall plugs Used to brace the screws inside the wall	Sheet metal screw SCR PTP, 2X6MM BLUE, ZINC CR

## Mounting Template:

### How to use

Inside the box, you will find a folded piece of paper that includes the mounting template. Begin by trimming the template along the thicker dotted line, being mindful not to cut the other dotted lines in the diagram.

Then tape the template to the installation site, ensuring you remove the cutout piece from the template where the reflective tamper post will be mounted.

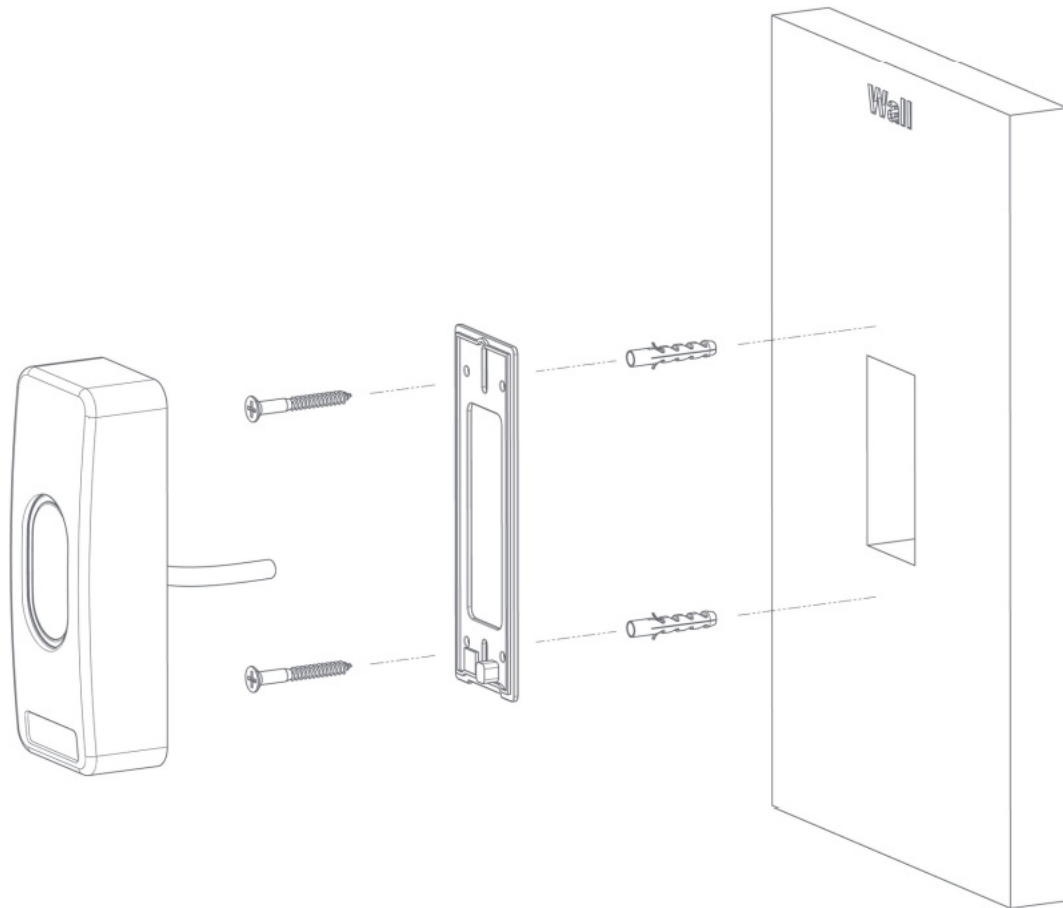


\*The diagram in this document is not to scale and cannot be substituted for the official mounting template.

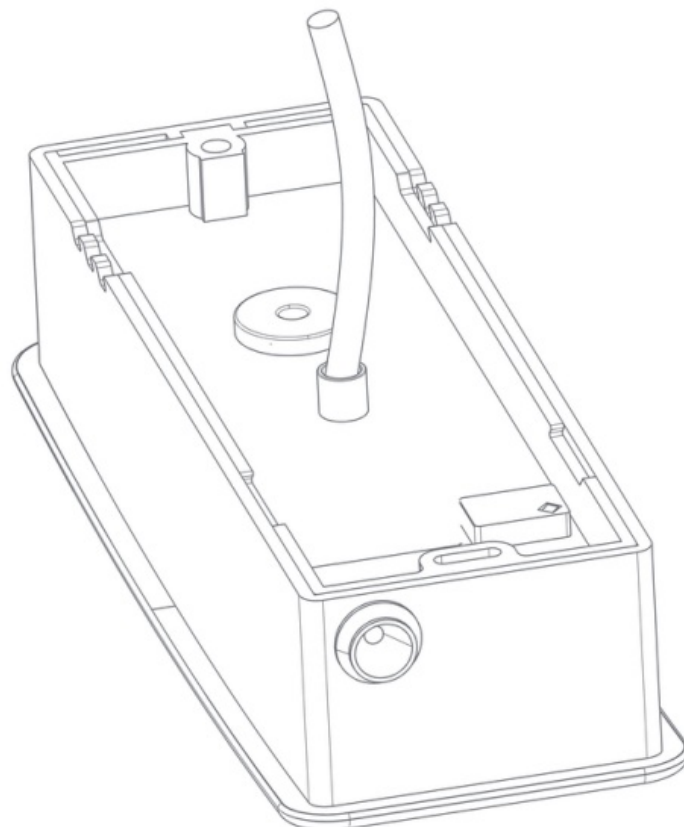
## What you'll need

- A working internet connection
- Cable, 5-12 conductors (Wiegand), 4 conductors Twisted Pair Over-All Shield and UL approved, Belden3107A or equivalent (OSDP)
- Linear DC power supply
- Metal or plastic junction box
- Drill with various bits for mounting hardware

## Installation



For a wall-mounted installation, begin by pre-drilling your holes and inserting the nylon screw plugs provided to support the weight of the reader. Once secured to the wall, you can fix the black plate to the wall using the screws (SCR PTP, 2X6MM BLUE, ZINC CR3) provided.

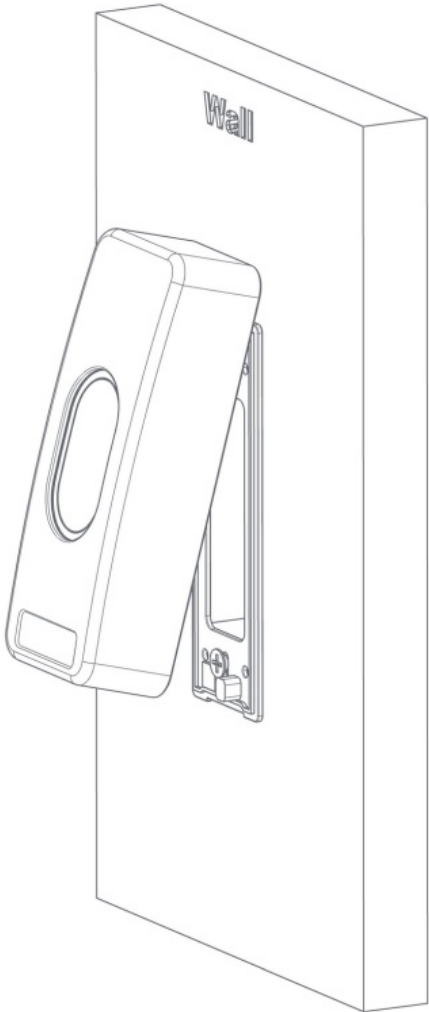


## Wire Colors

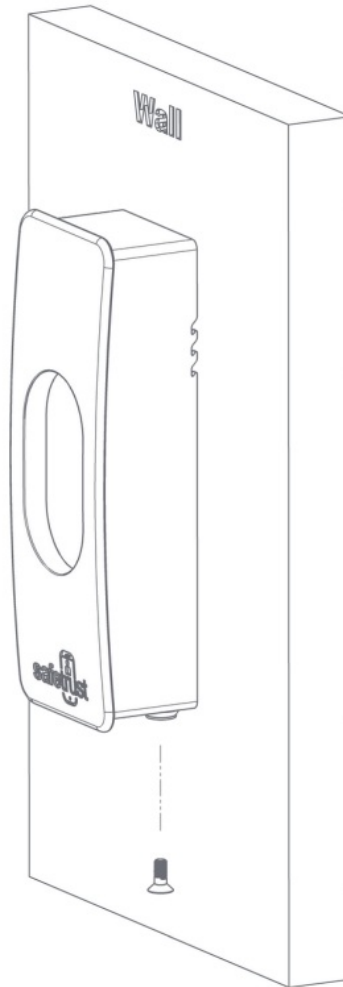
Ground	●		Black
Relay In*	●		Grey
Relay Out*	●		Blue
Red LED	●		Brown
Tamper	●		Purple
Green LED	●		Orange
Wiegand D0/Data	●		Green
Wiegand D1/Clock/F2F	●		White
12VDC	●		Red
OSDP TX+ / RS-485(A) / D0	●		Aqua
OSDP TX+ / RS-485(B) / D1	●		Pink
Beeper	●		Yellow

\*Low voltage

The next step is to connect the wires as per the wiring table above.

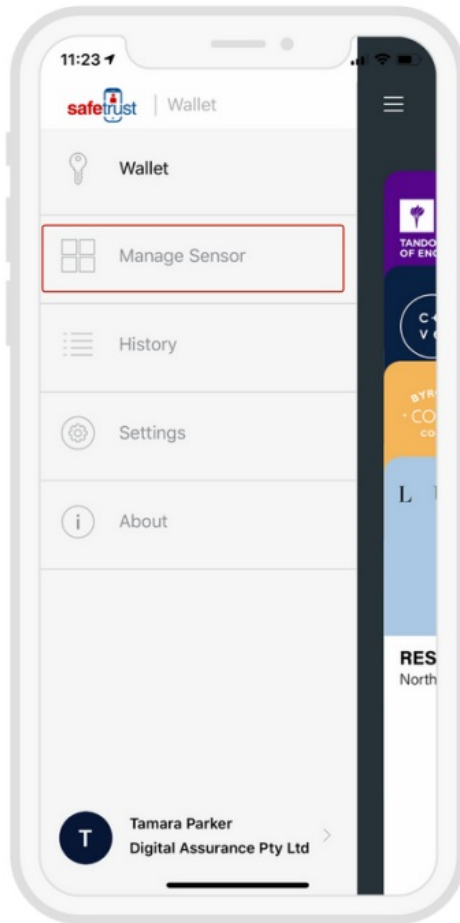


Once the back plate has been fitted and the wiring is complete, the top casing can be inserted onto the bottom casing like shown above.



Complete the hardware installation by fixing either the snake eye screw (SMF #632X5/16" SS) or a Phillips screw (SMF #6-32X5/16" SS) to the bottom casing.

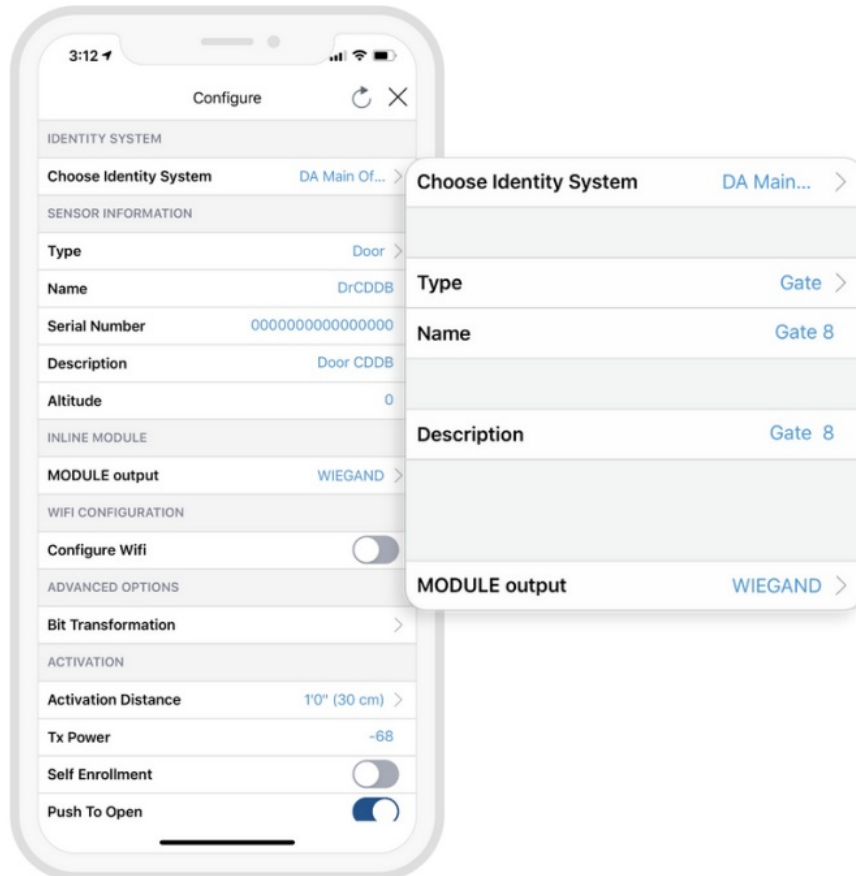
## Configuration



Open the Safetrust Wallet APP and select the Manage Sensor tab. Make sure your system admin has set you up with this role.

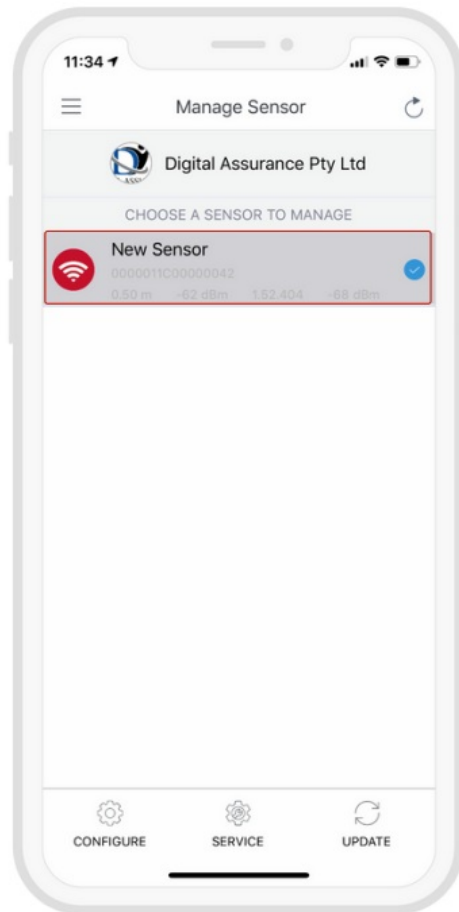


With the Admin Installer tab open from the App, bring the phone in range of the IoT Sensor, and once visible from the App, highlight and select “Configure”.



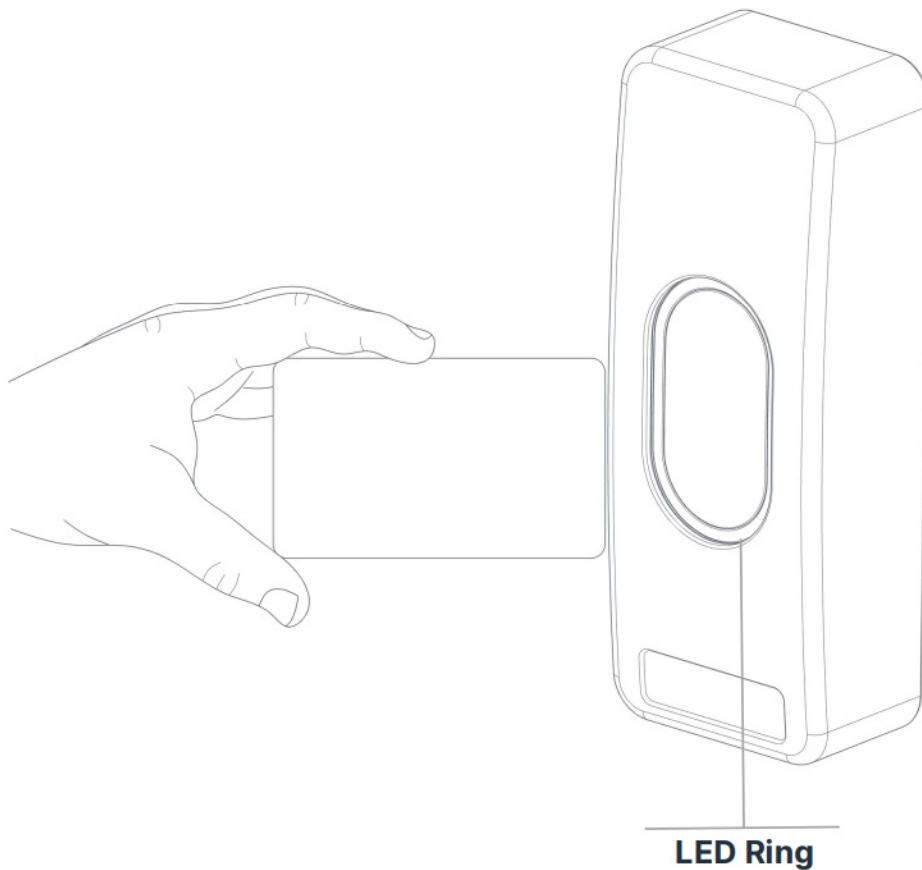
- Choose an Identity System.
- Specify the Type of access from the dropdown (eg. Door, Gate, etc.)
- Assign a short Name and Description using alphanumeric characters.
- Choose an Output for the sensor (the default is set to Wiegand).









When the IoT Sensor information is saved successfully to Credential Manager and assigned to the Identity System, the new description will appear in the Manage Sensor tab with a unique serial number assigned.

## Testing

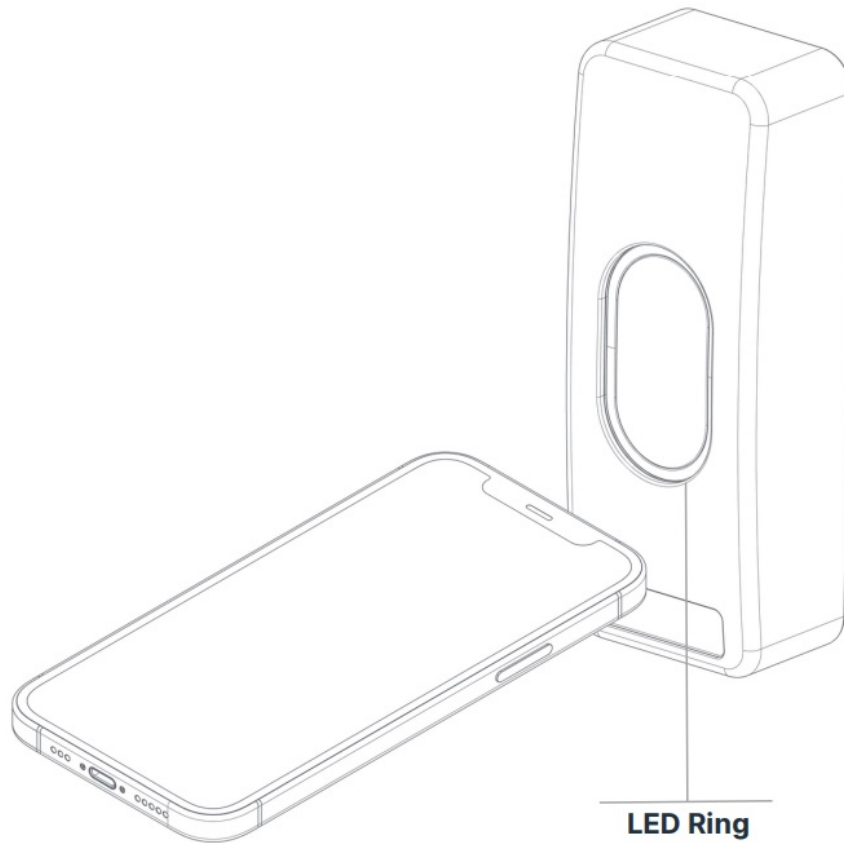


## Access with cards





### Status LED

	<b>Solid red</b> Indicates idle mode
	<b>Flashing red</b> Powering up
	<b>Solid green</b> Success
	<b>Flashing green</b> The credential is read and access is granted

## Access with mobile



### Status LED

	<b>Solid red</b> Indicates idle mode
	<b>Flashing red</b> Powering up
	<b>Solid Blue</b> Success
	<b>Flashing Blue</b> The credential is read and access is granted

## Regulatory Information

**FCC:** This device complies with part 15 of the FCC Rules. Operation is subject to the following two conditions: (1) This device may not cause harmful interference, and (2) this device must accept any interference received, including interference that may cause undesired operation.

**Canada Radio Certification:** This device complies with Industry Canada license-exempt RSS standard(s). Operation is subject to the following two conditions: (1) this device may not cause interference, and (2) this device must accept any interference, including interference that may cause undesired operation of the device.

**CE Marking:** Safetrust hereby declares that these proximity readers are in compliance with the essential requirements and other relevant provisions of Directive 1999/5/EC.

## Support

Thank you for purchasing the Safetrust IoT Sensor Mullion.

If for any reason you need assistance with your installation, please contact your local Sales representative.


Sincerely The Safetrust Team

[www.safetrust.com/support](http://www.safetrust.com/support)

Safetrust Inc. | [safetrust.com](http://safetrust.com)

[sales@safetrust.com](mailto:sales@safetrust.com)

## Documents / Resources

	<a href="#">safetrust DAEjYW15acU IoT Sensor</a> [pdf] User Guide DAEjYW15acU, BAB78490suM, DAEjYW15acU IoT Sensor, DAEjYW15acU, IoT Sensor, Sensor
---	--

## References

- [Safetrust Inc - Touchless Identity Solutions](#)