

[Skip to content](#)

Manuals+

User Manuals Simplified.



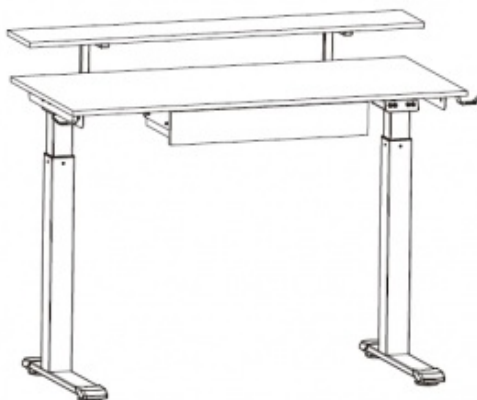
ROLANSTAR Height Adjustable Desk Instructions

Home » [ROLANSTAR](#) » ROLANSTAR Height Adjustable Desk Instructions 

Contents [[hide](#)]

- [1 ROLANSTAR Height Adjustable Desk Instructions](#)
- [2 General Guidelines](#)
- [3 Notes](#)
- [4 Warnings](#)
- [5 ACCESSORIES LIST](#)
- [6 EXPLODED](#)
- [7 STEP 1](#)
- [8 STEP 2](#)
- [9 STEP 3](#)
- [10 STEP 4](#)
- [11 STEP 5](#)
- [12 STEP 6](#)
- [13 STEP 7](#)
- [14 STEP 8](#)
- [15 STEP 9](#)
- [16 STEP 10](#)
- [17 STEP 11](#)
- [18 STEP 12](#)
- [19 STEP 13](#)
- [20 OPERATION INSTRUCTIONS](#)
 - [20.1 Up / Down Button](#)
- [21 Desktop Height Memory Setting](#)
- [22 The Lowest Height Position Setting](#)
- [23 The Highest Height Position Setting](#)
- [24 Initial Settings](#)
- [25 Restore Factory Settings](#)
- [26 AUTOMATED EXERCISE REMINDER](#)
- [27 COMMON ERROR CODE \(PROBLEM DESCRIPTION AND SOLUTION\)](#)
- [28 Read More About This Manual & Download PDF:](#)
- [29 File Downloads](#)
- [30 Related Manuals](#)

ROLANSTAR Height Adjustable Desk Instructions



General Guidelines

- Please read the following instructions carefully and use the product accordingly.
- Please keep this manual and hand it over when you transfer the product.
- This summary may not include every detail of all variations and considered steps. Please contact us when further information and help are needed.

Notes


- Product is intended for indoor use only. It must be assembled and used according to the instructions. The seller does not accept any responsibility for damage or injury resulting from improper assembly or use.
- Please avoid long-term exposure to humid environment to prevent mildew.
- During assembly, align all screws with the corresponding pre-drilled holes first and then tighten them one by one.
- Inspect the screws regularly. Screws may become loose during long-term use. If necessary, retighten them to ensure stability and security.

Warnings

- Children are not allowed to assemble the product. During assembly, keep any small part out of reach of children as they may be fatal if swallowed or inhaled.
- Children are not allowed to stand, climb or play on the product to avoid serious bodily injury by the toppling.
- Keep plastic packing bags out of reach of children to avoid any potential danger, such as suffocation.
- Avoid sharp objects and corrosive chemicals to prevent damage to the product or bodily injury.

ACCESSORIES LIST

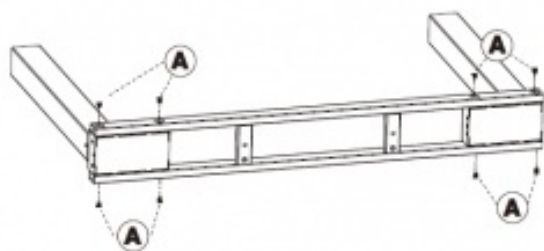
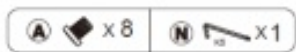
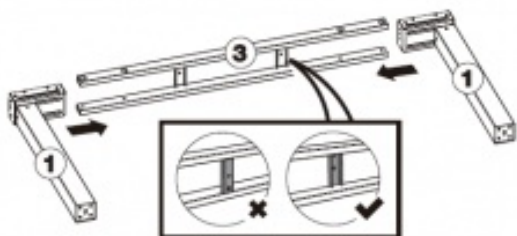
1 x2 	2 x2 	3 x1 	4 x2 
5 x2 	6 x2 	7-L x1 	7-R x1 
8 x1 	9 x1 	10 x1 	11 x1 
12 x1 	13 x1 	14-L x1 	14-R x1 
15 x1 	16 x1 	17 x1 	

A x12+1  M6*10mm	B x8+1  M6*35mm	C x14+1  ST4.8*12mm
D x10+1  1/4*12mm	E x8+1  1/4*35mm	F x4 
G x4  5*35mm	H x4  13*35mm	I x5 
J x4 	K x4 	L x12+2 
M x1  K4	N x1  K5	O x1 

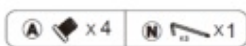
EXPLODED



STEP 1



STEP 2



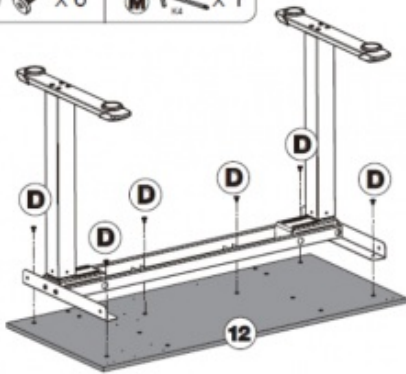
STEP 3

B x8 **J** x4 **K** x4 **N** x1



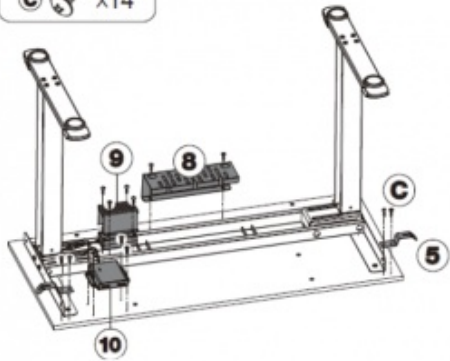
STEP 4

D x6 **M** x1

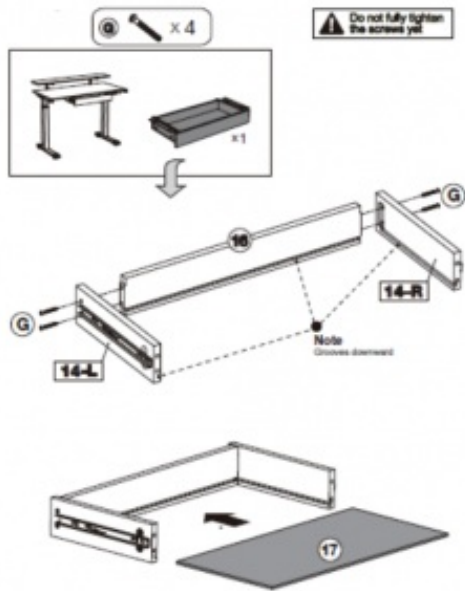


STEP 5

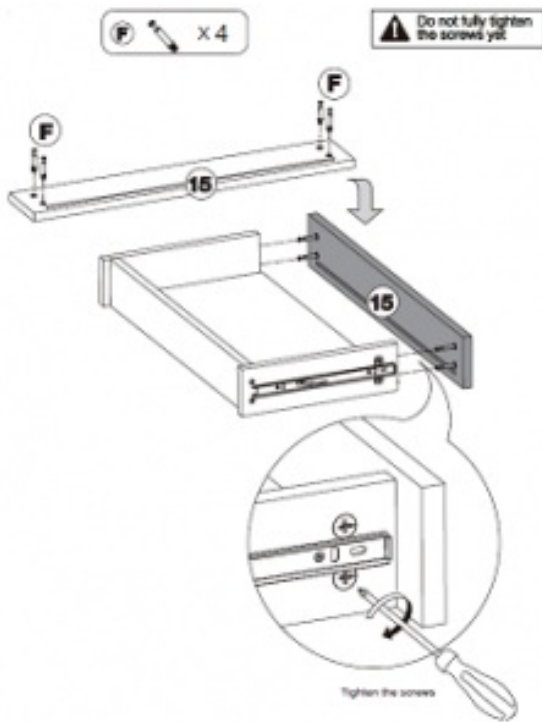
C x14



STEP 6

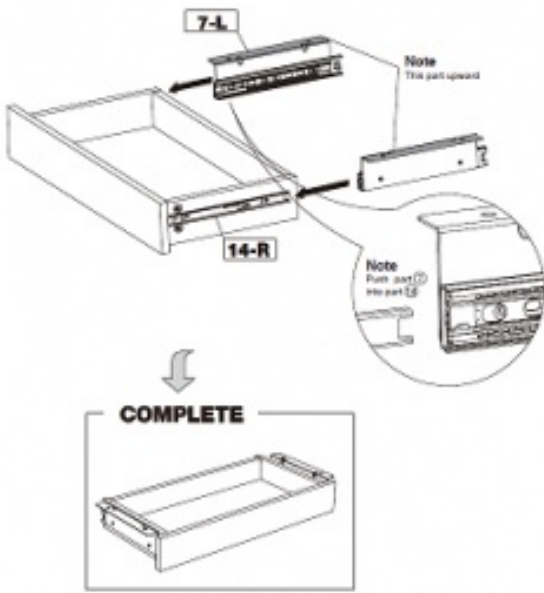


STEP 7

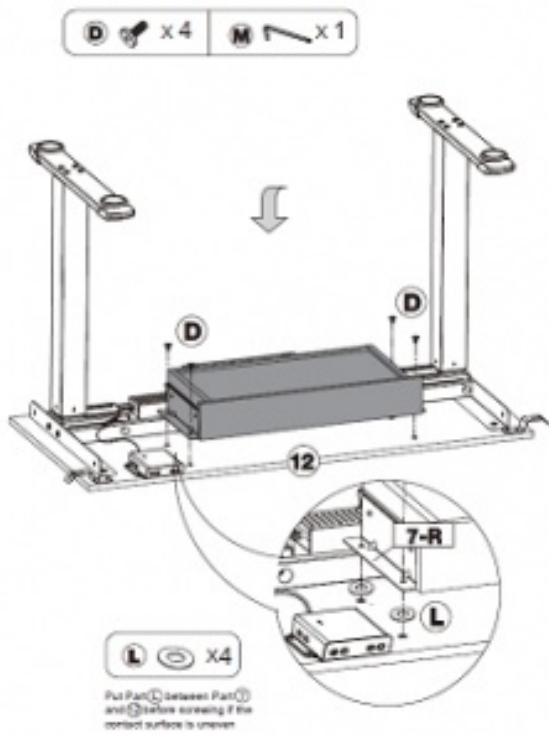


STEP 8

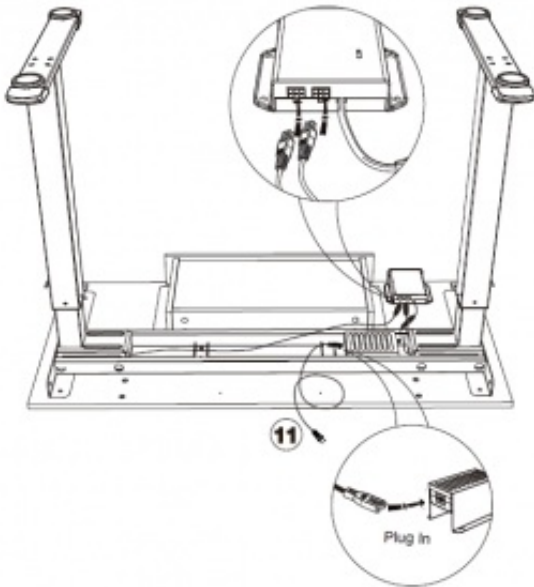
 Fully tighten all the screws



STEP 9

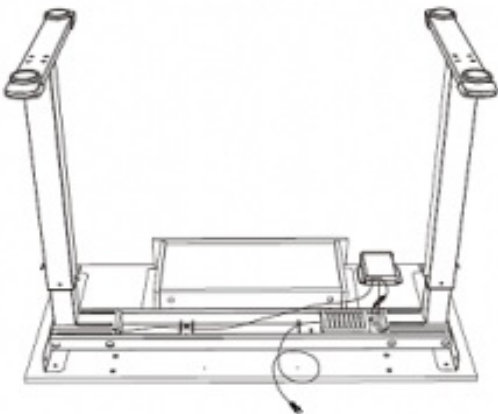


STEP 10



STEP 11

①  x 5



STEP 12

E X8 H X4 M X1 L X8

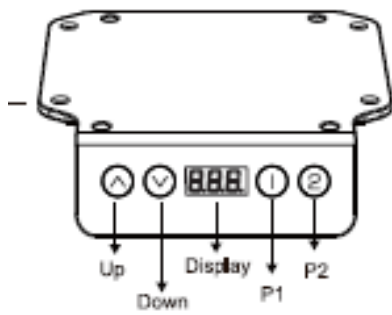
Fully tighten all the screws



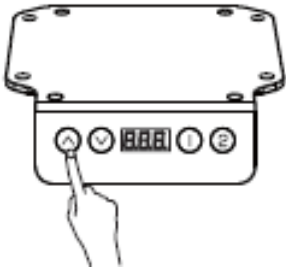
STEP 13



OPERATION INSTRUCTIONS

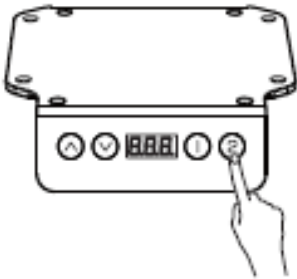


Up / Down Button



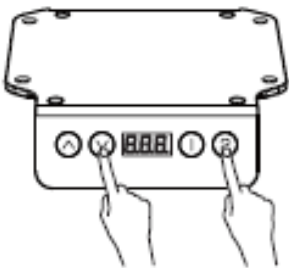
Press the \wedge to raise the desk, when you release the button it will stop. Press the \vee to lower the desk, when you release the button it will stop. When pressing the \wedge / \vee , the desk travels a very short distance, so that users can fine-tune the desk height according to preference

Desktop Height Memory Setting



POSITION SETTING: Can set up two memories. Adjust the desktop to the appropriate height with \wedge or \vee buttons. And then press “1 or 2” button, about 4 seconds until the display flashes “S -1 or S-2”, indicating that memory setting is successful. **LOCATION QUERY:** In the run mode, press any of the 1 / 2 keys to flash the height of the key memory. **POSITION REACHING:** In the run mode, when the desktop stops, press any of the 1 / 2 keys twice to adjust to the desktop height of the key memory. When desktop is moving, pressing any button can stop it.

The Lowest Height Position Setting



POSITION SETTING: Please adjust the desktop to the appropriate height; and then hold both “2” and “ \vee ” button for 5 seconds; when the display appears “- d o”, the lowest height is memorized successfully. Once the desktop is dropped to its lowest height position, the display shows “- L o”.

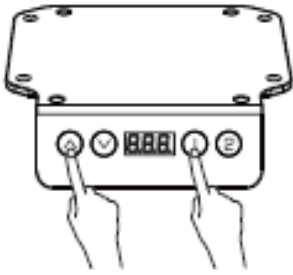
POSITION CANCELLATION:

Option 1 – Refer to the initial setting process.

Option 2 – Adjust the desktop to the lowest height where the display shows “- L o”, hold both “2” and the down button for 5 seconds; at this time, the display will

show “- d o” indicating the set lowest height position has been successfully canceled

The Highest Height Position Setting



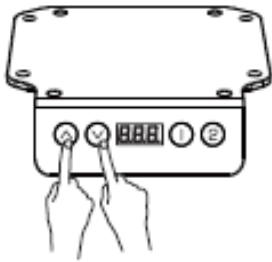
POSITION SETTING: Please adjust the desktop to the appropriate height; and then hold both “1” and the up button for 5 seconds; when the display appears “- u p”, the highest height is memorized successfully. Once the desktop is raised to its highest height position, the display shows “- h l”.

POSITION CANCELLATION:

Option 1 – Refer to the initial setting process.

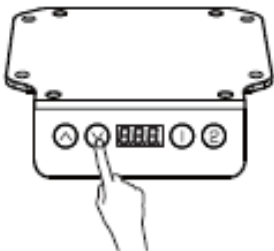
Option 2 – Adjust the desktop to the highest height where the display shows “- h l”, hold both “1” and the up button for 5 seconds; at this time, the display will show “- u p” indicating the set highest height position has been successfully canceled..

Initial Settings



Under normal state, can be operated at any time; Or replace the controller for the first time Press and hold both the ^ and v until the display appears “ --- “, release the keys, then the tabletop will automatically move up and down. When the top stop moving, the initial setting process succeeds.

Restore Factory Settings



When the display appears error code “rST” or “E16”, press and hold the “V” button for 5 seconds until the display flashes “ --- “; release the key, then the adjustable desk legs will automatically move down to its mechanical lowest point, and move up and stop at a factory-preset position. Finally, the desk can work normally.

AUTOMATED EXERCISE REMINDER

Once the desktop stays at a same height position over 45 mins, the display shows “Chr”. The flash of “Chr” will disappear when you press any of button or after 1 minute without any operation. The reminder will work for 3 times in a row.

COMMON ERROR CODE (PROBLEM DESCRIPTION AND SOLUTION)

Cable Connection Between Desk Leg(s) And Control Box is Loose

E01 E02 (press the up or down button; if it doesn't work, please check the cable connection)

Desk Leg(s) is Overloaded

E03 E04 (press the up or down button; if it doesn't work, reduce desk load or contact seller)

Sensing Element in the Desk Leg(s) Fails

E05 E06 (press the up or down button; if it doesn't work, please check cable connection or contact seller)

Control Box Breaks Down

E07 (cut off the power supply for a while and restart the desk; if it doesn't work, please contact seller)

Desk Leg(s) Breaks Down

E08 E09 (cut off the power supply for a while and restart the desk; if it doesn't work, please contact seller)

Controller Components Breaks Down

E10 E11 (cut off the power supply for a while and restart the desk; if it doesn't work, please contact seller)

E12 Desk Leg(s) Malposition(refer to the initial setting process)

E13 Thermal Shutdown Protection (wait for temperature drop)

E14 E15 Desk leg(s) is Stuck, and or They Do Not Work Properly
(press the up or down button; if it doesn't work, reduce desk load or contact seller)

E16 Unbalance Desktop (restore factory settings)

E17 Key Data Stored in Control Box are Lost (please contact seller directly)

rST Abnormal Power-Down
(check the cable connection then restore factory settings)

Read More About This Manual & Download PDF:

File Downloads

HEIGHT ADJUSTABLE DESK _____ 0120
CPT007-YW120-RR
CPT007-BK120-RR
CPT007-BO120-RR



Instructions

Height Adjustable Desk, CPT007-YW120-RR, CPT007-BK120-RR, CPT007-BO120-RR

[Download](#) [optimized]

[Download](#)



Related Manuals

1. [Electric height adjustable desk Instruction Manual](#) Electric height adjustable desk Instruction Manual Technical Specifications Height Range...
2. [ULINE Adjustable Height Desk User Manual](#) ULINE Adjustable Height Desk User Manual H-7033, H-7034, H-7035 H-7598,...
3. [Matrix Executive Electric Height Adjustable Desk \[JBMATEL12K, JBMATEL15K\] User Manual](#) Matrix Executive Electric Height Adjustable Desk JBMATEL12K, JBMATEL15K User Manual...
4. [V I V Crank Height Adjustable Desk Instruction Manual](#) Crank Height Adjustable Desk Crank Height Adjustable Desk – Black...
5. [EQUIPMED Height Adjustable Shower Stool User Manual](#) EQUIPMED Height Adjustable Shower Stool READ THIS MANUAL CAREFULLY BEFORE...
6. [PROCLEANROOM Height Adjustable Cleanroom Table with Shelf Instruction Manual](#) Height Adjustable Cleanroom Table with Shelf Overview L: 400 –...