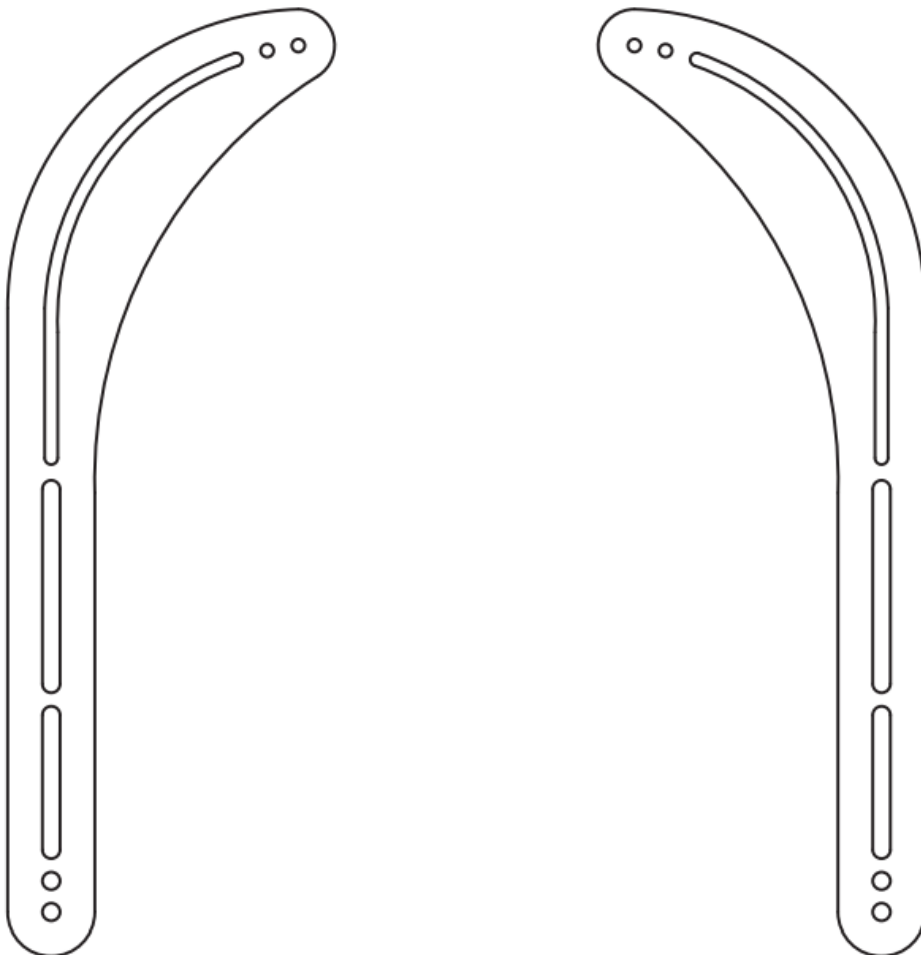
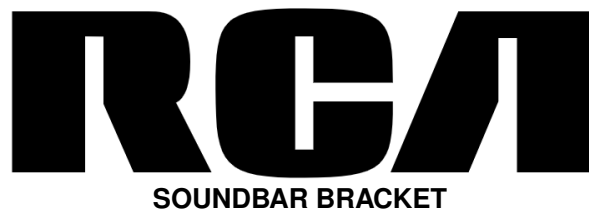


## RCA MC30SB Sound Bar Bracket Instruction Manual

[Home](#) » [RCA](#) » RCA MC30SB Sound Bar Bracket Instruction Manual 



## Installation Manual



### Questions?

Please call us at 1-800-645-7750 or visit [RCAAudioVideo.com](http://RCAAudioVideo.com)

### DISCLAIMER

Voxx Accessories Corp. has extended every effort to ensure to accuracy and completeness of this manual. However, Voxx Accessories Corp. does not claim that the information covers all installation or operational variables. The information contained in this document is subject to change without notice or obligation of any kind. Regarding the information contained herein, Voxx Accessories Corp. makes no representation or warranty, expressed or implied, and assumes no responsibility for accuracy, sufficiency, or completeness of the information contained in this document.

### WARNING INFORMATION

WARNING: FAILURE TO READ, THOROUGHLY UNDERSTAND, AND FOLLOW ALL INSTRUCTIONS CAN RESULT IN SERIOUS PERSONAL INJURY, DAMAGE TO PERSONAL PROPERTY, OR VOIDING OF FACTORY WARRANTY!

It is the responsibility of the installer to ensure all components are properly assembled and installed using the instructions provided. If you do not understand these instructions or have any questions or concerns, please contact customer service at 1-800-645-7750.

Do not attempt to install or assemble this product if the product or hardware is damaged or missing. In the event that replacement parts or hardware are needed, please contact Customer Service at 1-800-645-7750. International customers needing assistance should contact the Dealer from which they purchased the product.

### WEIGHT CAPACITY CAUTION!

### MAXIMUM WEIGHT CAPACITY

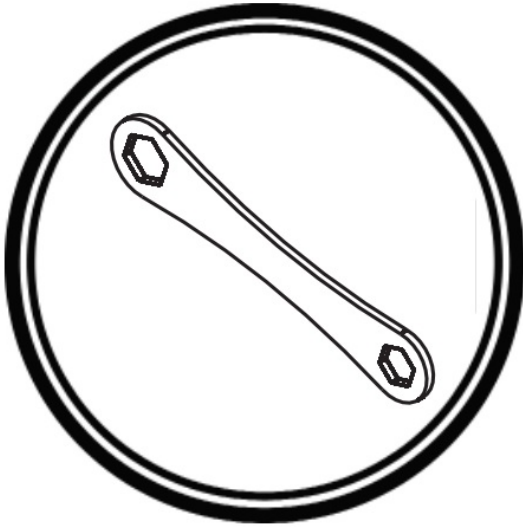


USE WITH SOUNDBARS EXCEEDING THE MAXIMUM WEIGHT CAPACITY OF THIS PRODUCT MAY RESULT IN PRODUCT FAILURE CAUSING POSSIBLE INJURY AND OR PROPERTY DAMAGE. YOUR TV, SOUNDBAR, SOUND BAR MOUNT, AND ANY ACCESSORIES YOU PLAN TO INSTALL MUST NOT EXCEED THE SPECIFIED WEIGHT LIMIT OF YOUR TV WALL MOUNT.

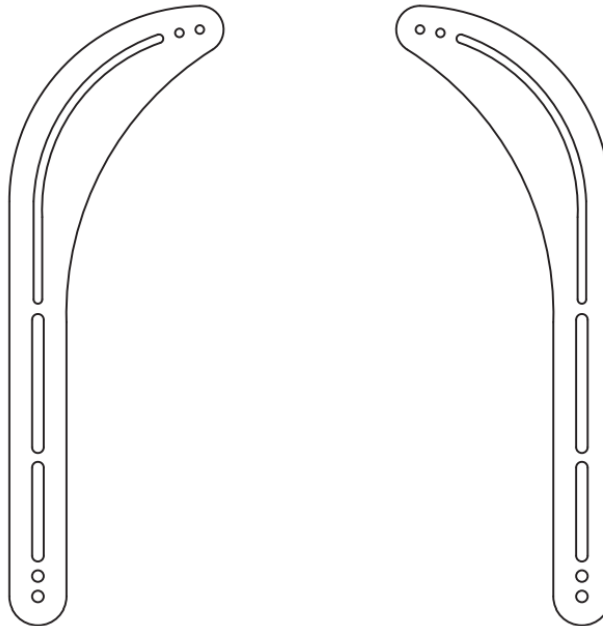
## Contents

- 1 [Tools Required \(Not Included\)](#)
- 2 [Package Contents](#)
- 3 [Mounting Hardware Bags](#)
- 4 [Mounting Options](#)
- 5 [12-Month Limited Warranty](#)
- 6 [Documents / Resources](#)
  - 6.1 [References](#)
- 7 [Related Posts](#)

## Tools Required (Not Included)


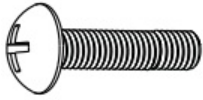


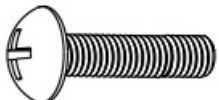
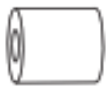
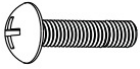


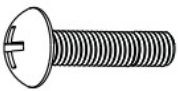





## Package Contents



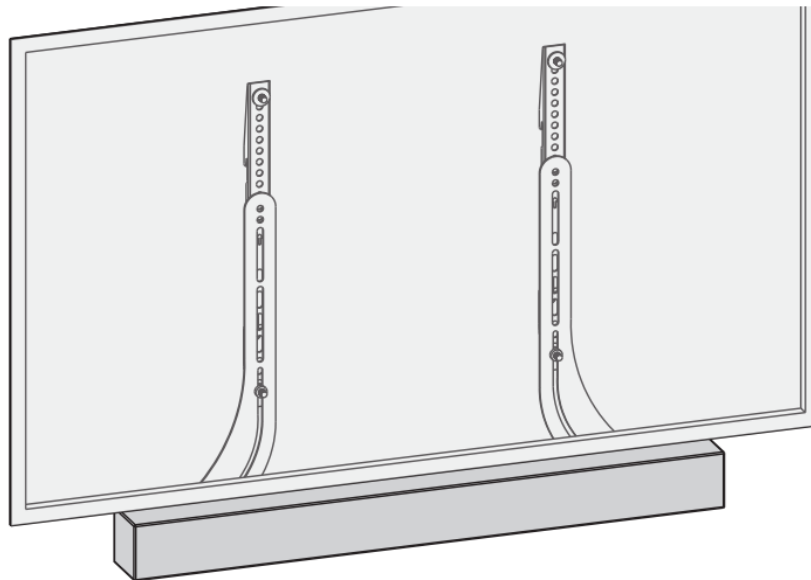
Sound Bar Bracket

## Mounting Hardware Bags

	<b>An (x2)</b> M4x14 Bolts		<b>E (x4)</b> M6x30 Bolts		
	<b>B (x2)</b> M5x14 Bolts		<b>F (x4)</b> M8x30 Bolts		
	<b>C (x4)</b> M6x14 Bolts		<b>G (x2)</b> D5 Spacers		
	<b>D (x2)</b> M8x20 Bolts		<b>H (x4)</b> D8 Spacers		M6x14
	<b>M (x2)</b> M6 Nut				

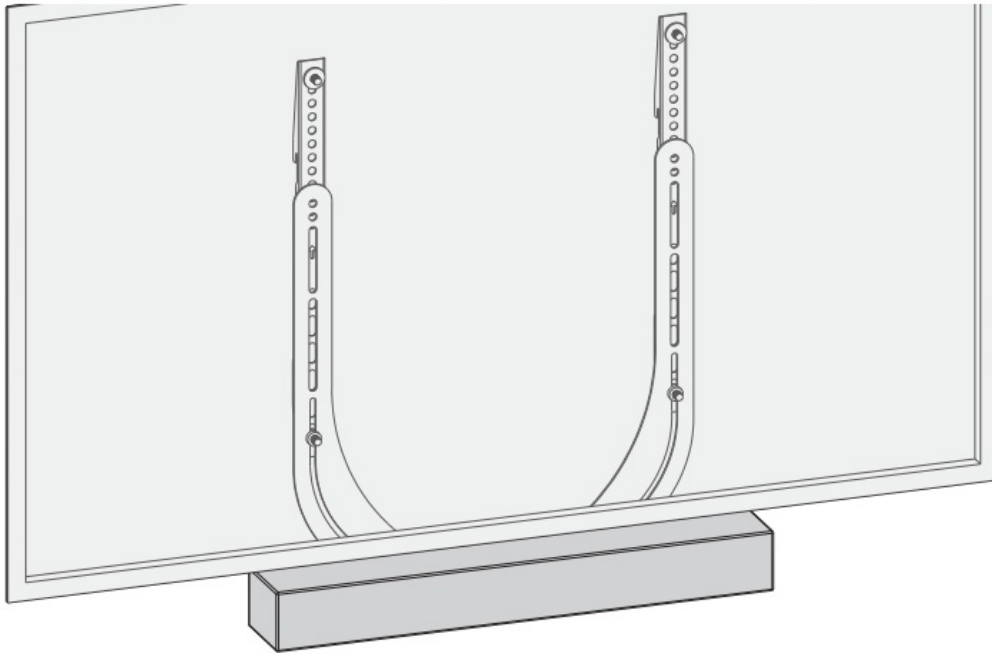
## Mounting Options

### Option 1

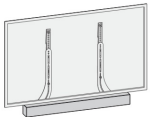


**For larger soundbars (with mounting holes wider than the mounting arms on your TV) Follow Option 1 starting on the next page.**

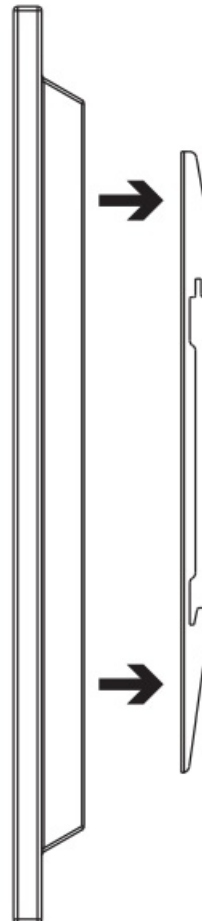
### Option 2



**For smaller soundbars (with mounting holes narrower than the mounting arms on your TV) Follow Option 2 starting on page 10.**



**Mounting Option 1**



1. With the help of another person, carefully remove your TV from its mount. Then remove the mounting arms

from its back.




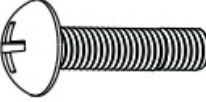
**IMPORTANT!** Use extra care during this part of the installation. If possible, avoid placing your display facedown as it may damage the viewing surface.

**NOTE:** This mount comes with a selection of different screw diameters and lengths to accommodate a wide variety of display models. Not all of the hardware in the kit will be used. If you cannot find the appropriate screw size in the kit provided, consult the manufacturer of your display for more information.

2. **Determine the correct length of the bolt (C, D, E, or F) to use to connect the soundbar bracket to your TV.**

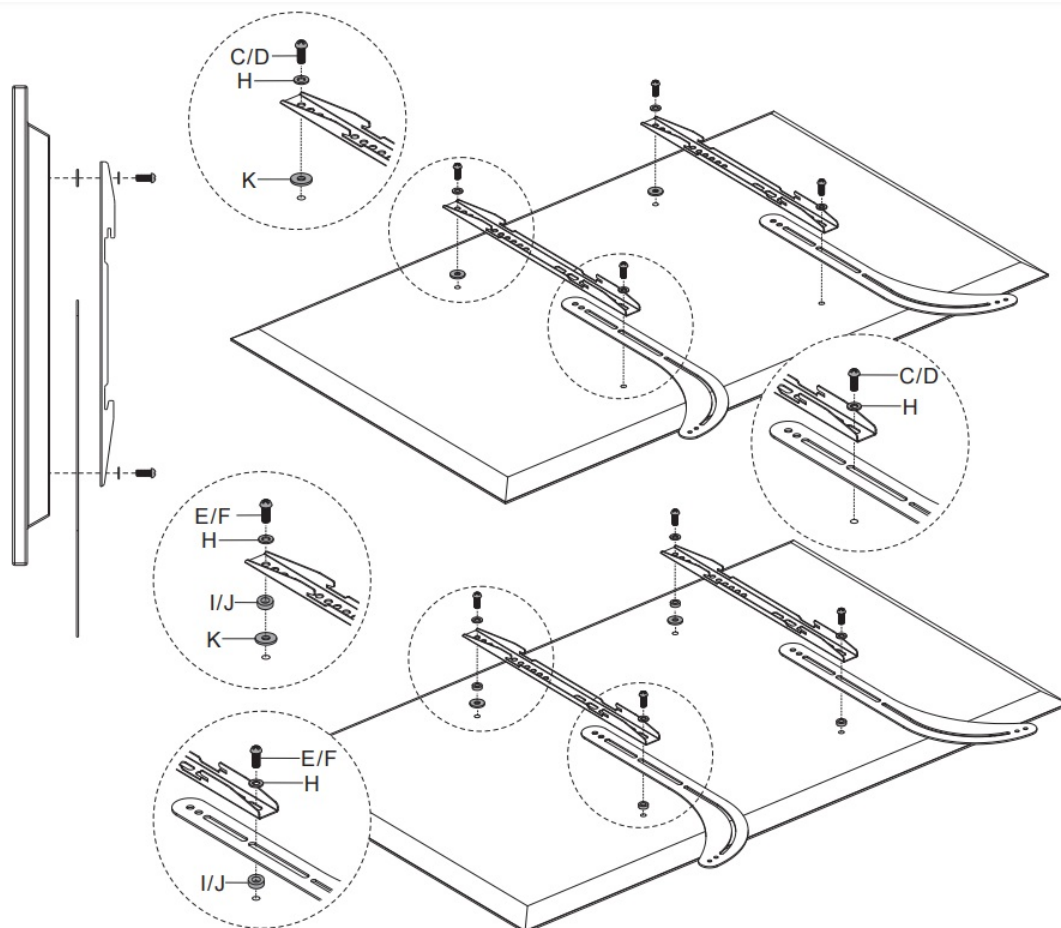
**A. If the back of your display is flat and the mounting holes are flush with the surface,** use the shorter bolts from the hardware kit.

**B. If the back of your display is curved, has a protrusion, or if the mounting holes are recessed,** use the longer bolts and may also need to use the big spacers.

	<b>C (x4)</b> M6x14 Bolts		<b>E (x4)</b> M6x30 Bolts
	<b>D (x2)</b> M8x20 Bolts		<b>F (x4)</b> M8x30 Bolts

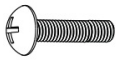
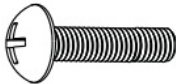
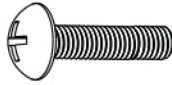

3. **Determine the correct diameter of the bolt** to use by carefully trying one of each size (C, D, E, or F) from the hardware kit. Do not force any of the bolts – if you feel resistance stop immediately and try a smaller diameter bolt.

4. **Attach the soundbar brackets and mounting arms to the back of your TV** using the bolts identified in Steps 1 and 2 along with washers and spacers as shown below.

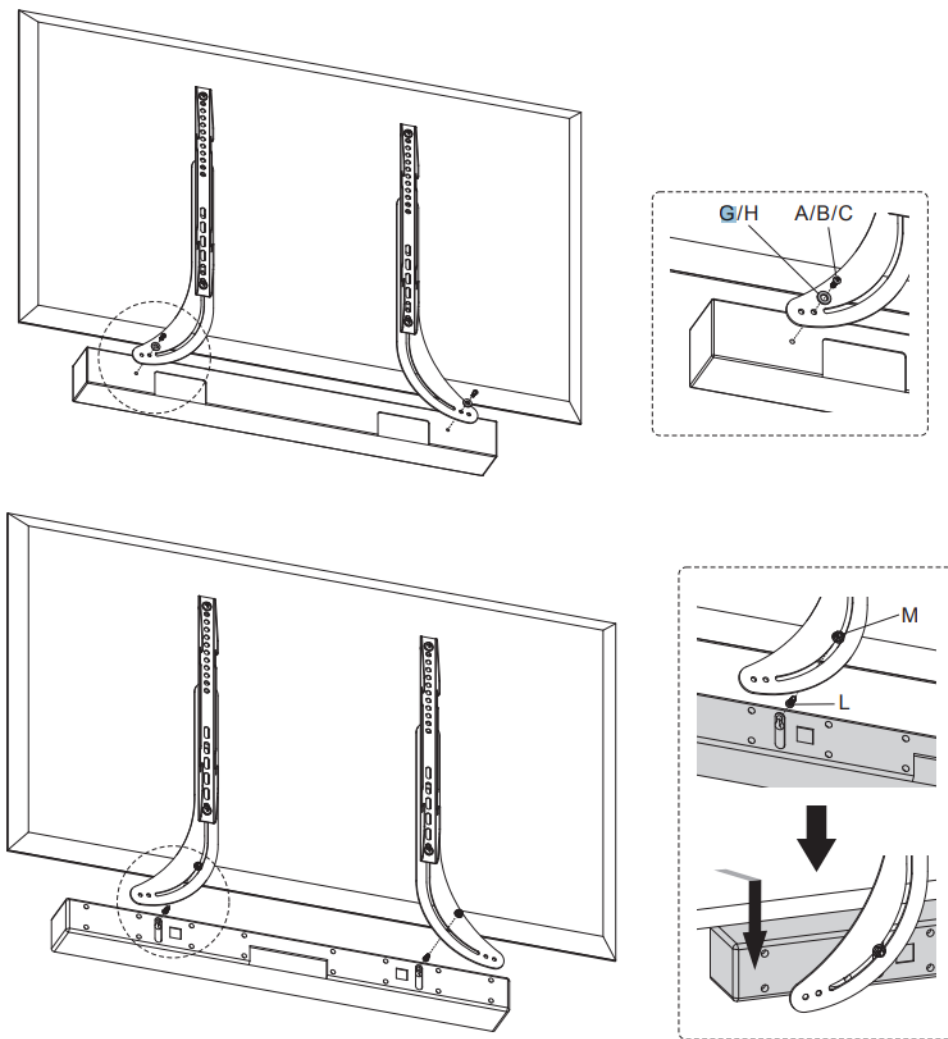


5. **Determine the correct diameter of bolt (A, B, or C) or peg (L) to use on your soundbar by carefully trying**

one of each size from the hardware kit. Do not force any of the bolts – if you feel resistance stop immediately and try a smaller diameter bolt.

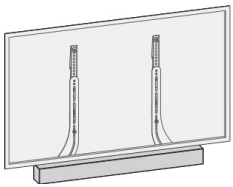
	A (x2) M4x14 Bolts		C (x4) M6x14 Bolts
	B (x2) M5x14 Bolts		

6. **Attach the soundbar to the soundbar brackets** using the bolts identified in Step 5 along with washers and spacers as shown below.

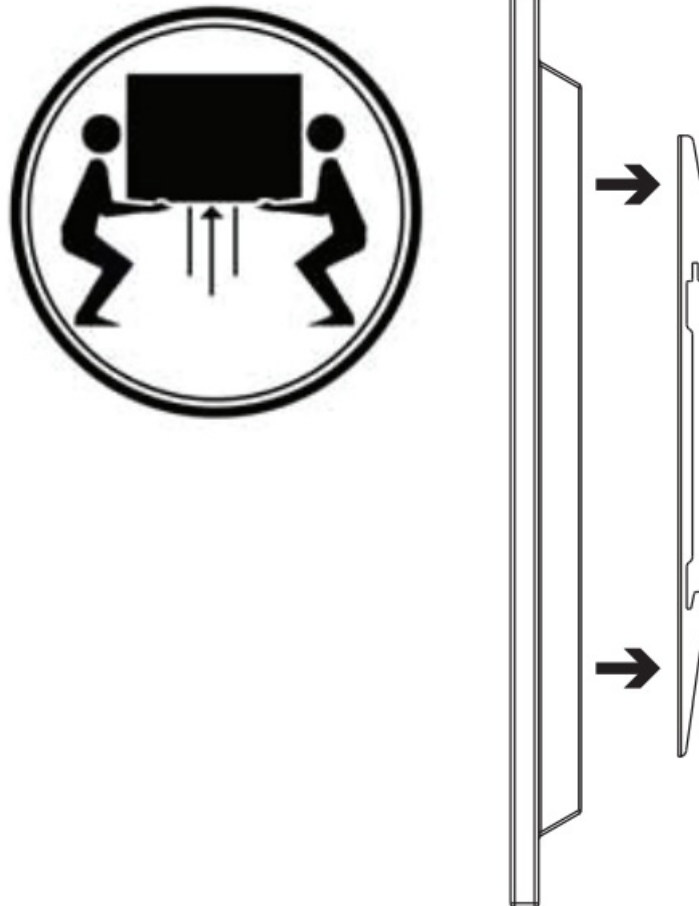


7. With the help of another person, carefully place your TV back on its mount.



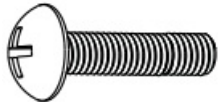
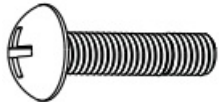
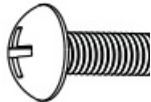


**Mounting Option 2**



1. With the help of another person, carefully remove your TV from its mount. Then remove the mounting arms from its back.  
**IMPORTANT!** Use extra care during this part of the installation. If possible, avoid placing your display facedown as it may damage the viewing surface.  
**NOTE:** This mount comes with a selection of different screw diameters and lengths to accommodate a wide variety of display models. Not all of the hardware in the kit will be used. If you cannot find the appropriate screw size in the kit provided, consult the manufacturer of your display for more information.
2. **Determine the correct length of the bolt** (C, D, E, or F) to use to connect the soundbar bracket to your TV.
  - A. If the back of your display is flat and the mounting holes are flush with the surface, use the shorter bolts from the hardware kit.
  - B. If the back of your display is curved, has a protrusion, or if the mounting holes are recessed, use the longer bolts and may also need to use the big spacers.

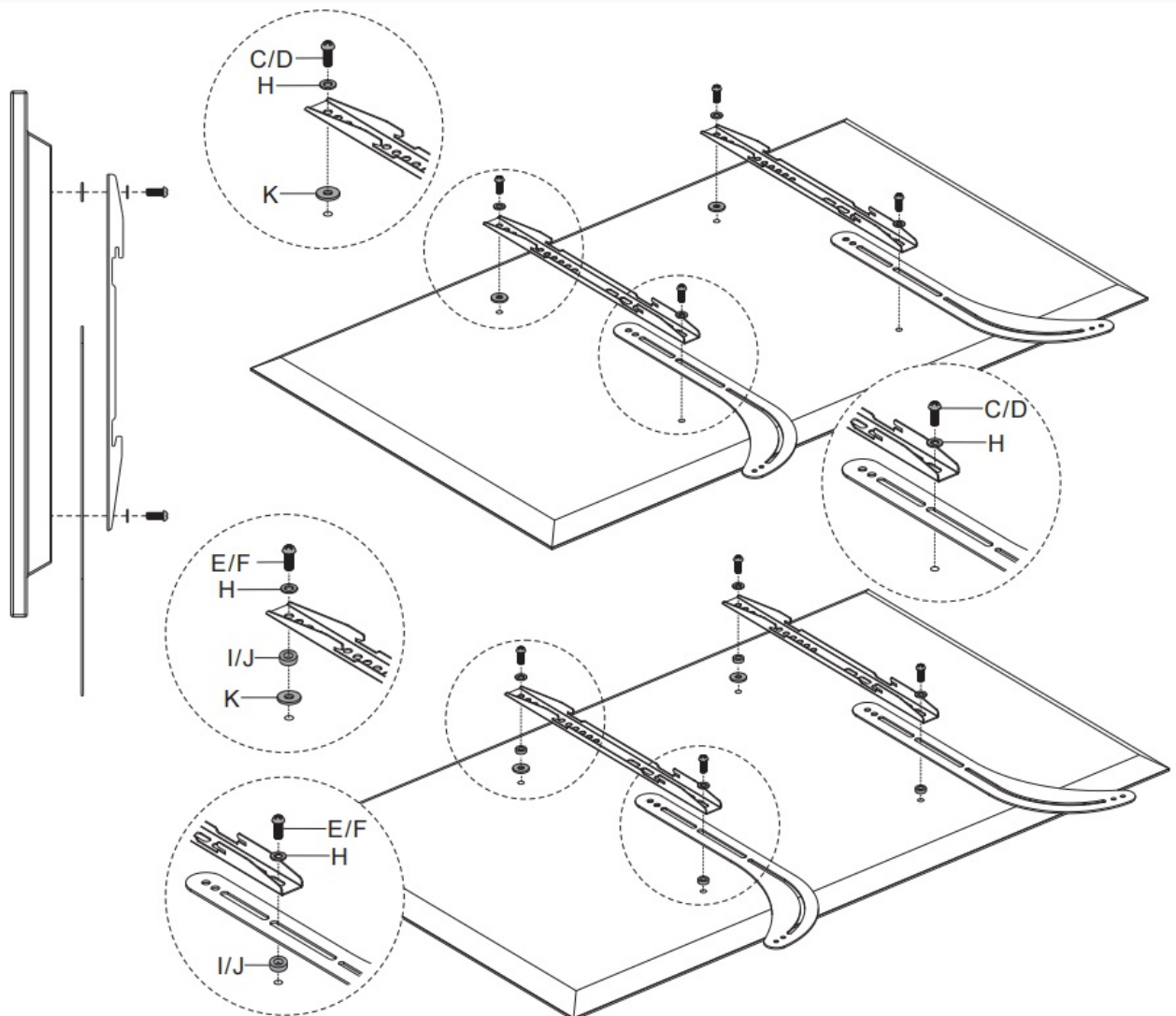


		
<p>C (x4) M6x14 Bolts Boulons M6x14 Pernos M6x14</p>	<p>D (x2) M8x20 Bolts Boulons M8x20 Pernos M8x20</p>	<p>E (x4) M6x30 Bolts Boulons M6x30 Pernos M6x30</p>

3. Determine the correct diameter of the bolt to use by carefully trying one of each size (C, D, E, or F) from the hardware kit. Do not force any of the bolts – if you feel resistance stop immediately and try a smaller diameter bolt.

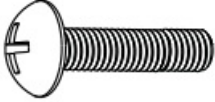
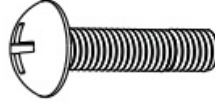
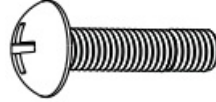
Continues on next page...

4. Attach the soundbar brackets and mounting arms to the back of your TV using the bolts identified in Steps 1 and 2 along with washers and spacers as shown below.

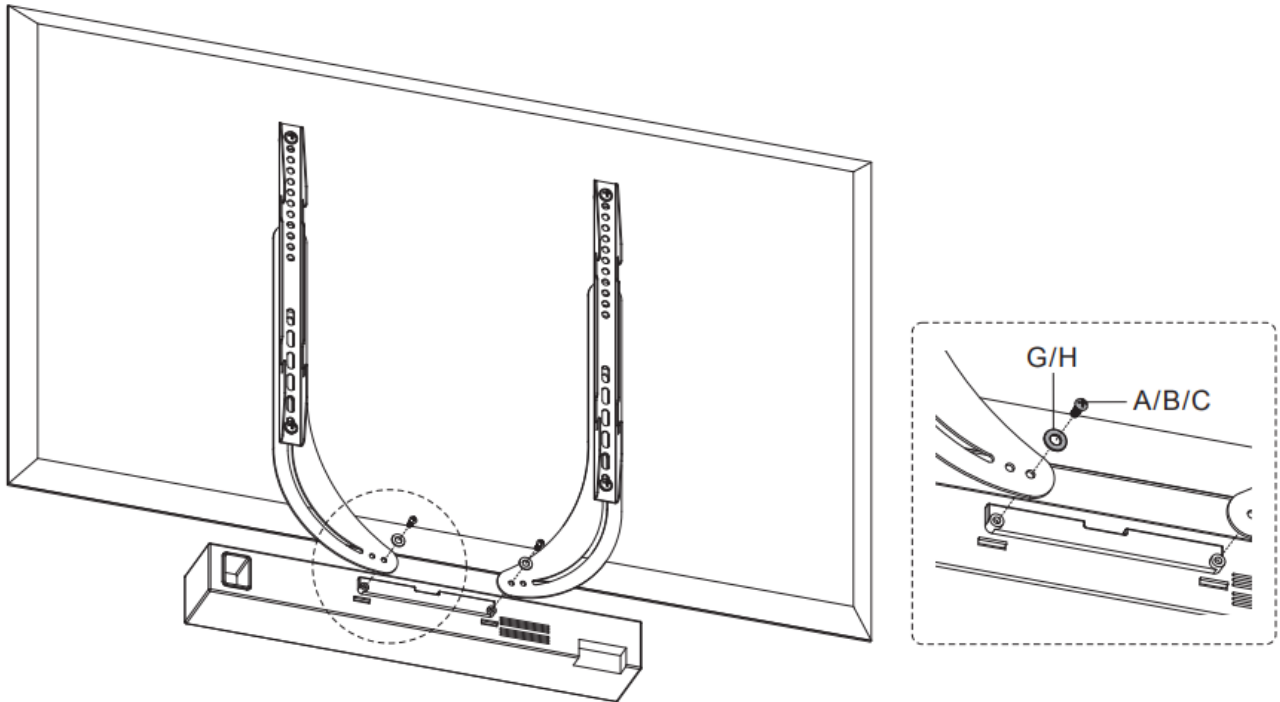


5. Determine the correct diameter of the bolt to use on your sound bar by carefully trying one of each size (A, B, or C) from the hardware kit.

Do not force any of the bolts – if you feel resistance stop immediately and try a smaller diameter bolt.

		
<p>A (x2) M4x14 Bolts Boulons M4x14 Pernos M4x14</p>	<p>B (x2) M5x14 Bolts Boulons M5x14 Pernos M5x14</p>	<p>C (x4) M6x14 Bolts Boulons M6x14 Pernos M6x14</p>

6. Attach the soundbar to the soundbar brackets using the bolts identified in Step 5 along with washers and spacers as shown below.



7. With the help of another person, carefully place your TV back on its mount.



### 12-Month Limited Warranty

Voxx Accessories Corporation (the “Company”) warrants to the original retail purchaser of this product that should this product or any part thereof, under normal use and conditions, be proven defective in material or workmanship within 12 months from the date of original purchase, such defect(s) will be repaired or replaced with the new or reconditioned product (at the Company’s option) without charge for parts and repair labor. To obtain repair or replacement within the terms of the warranty, the product is to be delivered with proof of warranty coverage (e.g. dated bill of sale), specification of defect(s), transportation prepaid, to an approved warranty station. For the location of the nearest warranty station to you, call toll-free to our control office: 1-800-645-4994.

This Warranty is not transferable and does not cover products purchased, serviced, or used outside the United States or Canada. The Warranty does not extend to the elimination of externally generated static or noise. This


Warranty does not apply to costs incurred for installation, removal, or reinstallation of the product, or, if in the Company's opinion, the product has been damaged through acts of nature, alteration, improper installation, mishandling, misuse, neglect, accident, or the simultaneous use of different battery types (e.g. alkaline, standard or rechargeable). This Warranty does not cover damage caused by an AC adapter not provided with the product.

THE EXTENT OF THE COMPANY'S LIABILITY UNDER THIS WARRANTY IS LIMITED TO THE REPAIR OR REPLACEMENT PROVIDED ABOVE AND, IN NO EVENT, SHALL THE COMPANY'S LIABILITY EXCEED THE PURCHASE PRICE PAID BY THE PURCHASER FOR THE PRODUCT? This Warranty is in lieu of all other express warranties or liabilities. ANY IMPLIED WARRANTIES, INCLUDING ANY IMPLIED WARRANTY OF MERCHANTABILITY OR FITNESS FOR A PARTICULAR PURPOSE SHALL BE LIMITED TO THE DURATION OF THIS WARRANTY. ANY ACTION FOR BREACH OF ANY WARRANTY HEREUNDER, INCLUDING ANY IMPLIED WARRANTY, MUST BE BROUGHT WITHIN A PERIOD OF 24 MONTHS FROM THE DATE OF ORIGINAL PURCHASE. IN NO CASE SHALL THE COMPANY BE LIABLE FOR ANY CONSEQUENTIAL OR INCIDENTAL DAMAGES WHATSOEVER. No person or representative is authorized to assume for the Company any liability other than expressed herein in connection with the sale of this product.

Some states/provinces do not allow limitations on how long an implied warranty lasts or the exclusion or limitation of incidental or consequential damage so the above limitations or exclusions may not apply to you. This Warranty gives you specific legal rights and you may also have other rights which vary from state/province to state/province.

©2020 Voxx Accessories Corp. 3502 Woodview Trace, Suite 220 Indianapolis, IN 46268  
MC30SB IB 01

## Documents / Resources

	<p><a href="#">RCA MC30SB Sound Bar Bracket</a> [pdf] Instruction Manual MC30SB, Sound Bar Bracket</p>
---	--

## References

- [RCAAudioVideo.com](http://RCAAudioVideo.com)