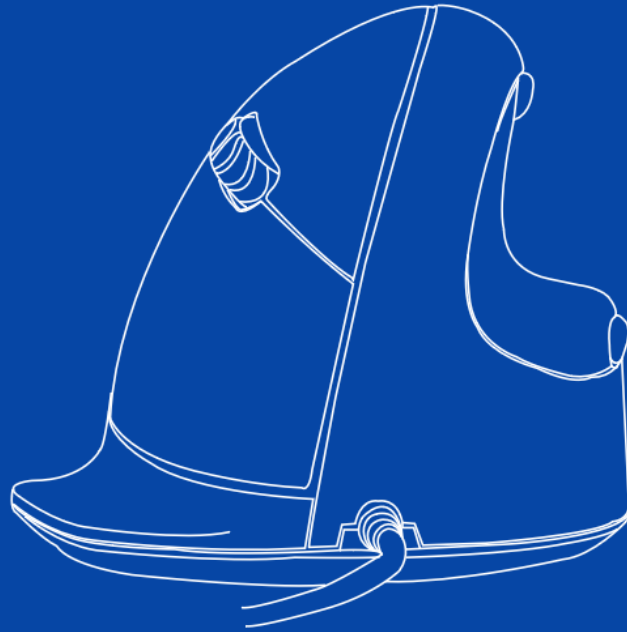




r-go RGOHE HE Break Mouse Instruction Manual

[Home](#) » [R-Go](#) » r-go RGOHE HE Break Mouse Instruction Manual 

r-go RGOHE HE Break Mouse Instruction Manual



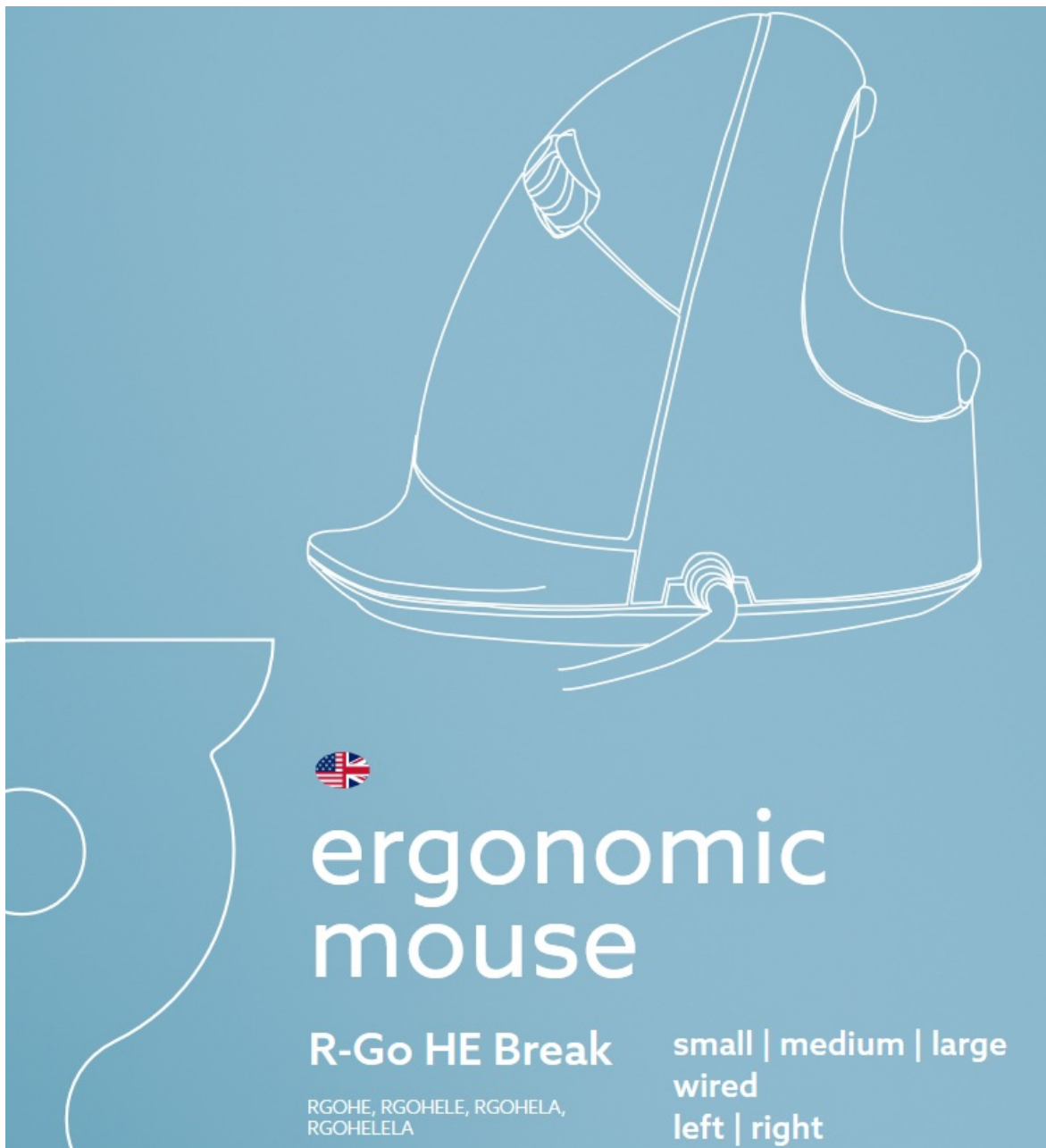
R-Go HE Break

RGOHE, RGOHELE, RGOHELA, RGOHELELA

English manual

p.2





Congratulations with your purchase!

Our ergonomic R-Go HE mouse has a vertical grip that ensures a natural, relaxed position of your hand and wrist. The mouse stimulates movements from the forearm instead of the wrist, which prevents RSI. This comfortable mouse supports your thumb and fingers and is as lightweight as possible, hereby reducing the muscle tension. HE is the way to a healthy life! #stayfit

System requirements/Compatibility: Windows XP/Vista/10/11, MacOS



For more information about this product, scan the QR code!

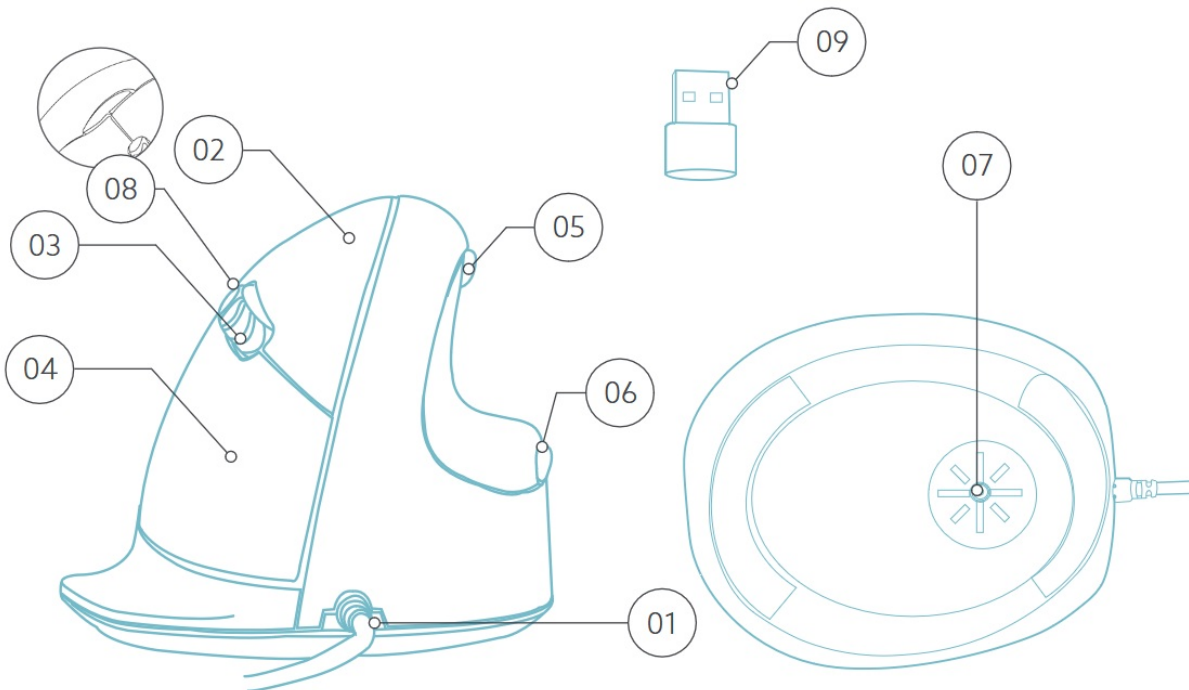
https://r-go.tools/hewired_web_en

Contents

- 1 Product overview
- 2 Setup
- 3 R-Go Break
- 4 Maintenance
- 5 Troubleshooting
- 6 Documents / Resources
 - 6.1 References

Product overview

1. Cable
2. Left (primary) button
3. Scroll wheel
4. Right (secondary) button
5. Forward (not for MacOS)
6. Backward (not for MacOS)
7. Sensor
8. DPI switch
9. USB-C to USB-A converter



* Right version is shown in these illustrations

Setup

Connect the USB Cable 01 to your computer.

DPI switch

Cycle through the DPI-mode by clicking the DPI switch button 08 .

DPI means Dots Per Inch. With a low DPI, you will have to make larger movements to get the cursor move the same distance on your screen compared to a higher DPI. We recommend a lower DPI setting, so you will move the mouse with your arm instead of your wrist in order to prevent RSI.

Note: The mouse buttons work correctly when the mouse settings in your computer system are set for right-handed use!

R-Go Break

Download the R-Go Break software at <https://r-go.tools/bs>

The R-Go Break software is compatible with all R-Go HE Break mice and keyboards. It gives you insight into your work behaviour and gives you the possibility to customize your mouse buttons.

The R-Go Break is a software tool that helps you to remember to take breaks from your work. As you work, the R-Go Break software controls the LED light on your Break mouse or keyboard. This break indicator changes color, like a traffic light. When the light turns green, it means you are working healthily. Orange indicates that it is time for a short break and red indicates that you have been working too long. This way you receive feedback on your break behavior in a positive way.



For more information about the R-Go Break software, scan the QR code!
https://r-go.tools/break_web_en

Maintenance

- Do not bring the mouse in contact with water. Water could damage the electronic parts inside the mouse. To clean the mouse, disconnect the device from your PC. Do not clean the mouse with alcohol or with water and soap. This will damage the coating of the mouse. If you want to clean the mouse, use a water-based damp cloth.
- Do not remove any of the rubber parts on the bottom of the mouse. You will not be able to place them back and your mouse will not move smoothly as before.
- Do not obstruct the laser on the bottom of the mouse.

Troubleshooting

Is your mouse not working properly, or do you experience problems while using it? Please follow the steps mentioned below.

- Check if the mouse is connected using the correct connectors and cables .
- Connect the mouse to another USB port of your computer.
- Connect the mouse directly to your computer if you are using an USB hub.
- Restart your computer.
- Test the mouse on another device, if it is still not working contact us via info@r-go-tools.com.

