

PURE Wiz34 Smart Remote Room Controller



PURE Wiz34 Smart Remote Room Controller User Manual

[Home](#) » [Pure](#) » PURE Wiz34 Smart Remote Room Controller User Manual 

Contents

- [1 PURE Wiz34 Smart Remote Room Controller](#)
- [2 Included in Box](#)
- [3 Specifications](#)
- [4 Overview](#)
- [5 Mounting the Device](#)
- [6 App Pairing](#)
- [7 FCC Caution](#)
- [8 Documents / Resources](#)
 - [8.1 References](#)

PURE

PURE Wiz34 Smart Remote Room Controller



Totally Wireless Single Pole or 3-Way Installation

Model #: Wiz34, CWR-TW-SCENE-WH

Included in Box



**Room
Controller x1**

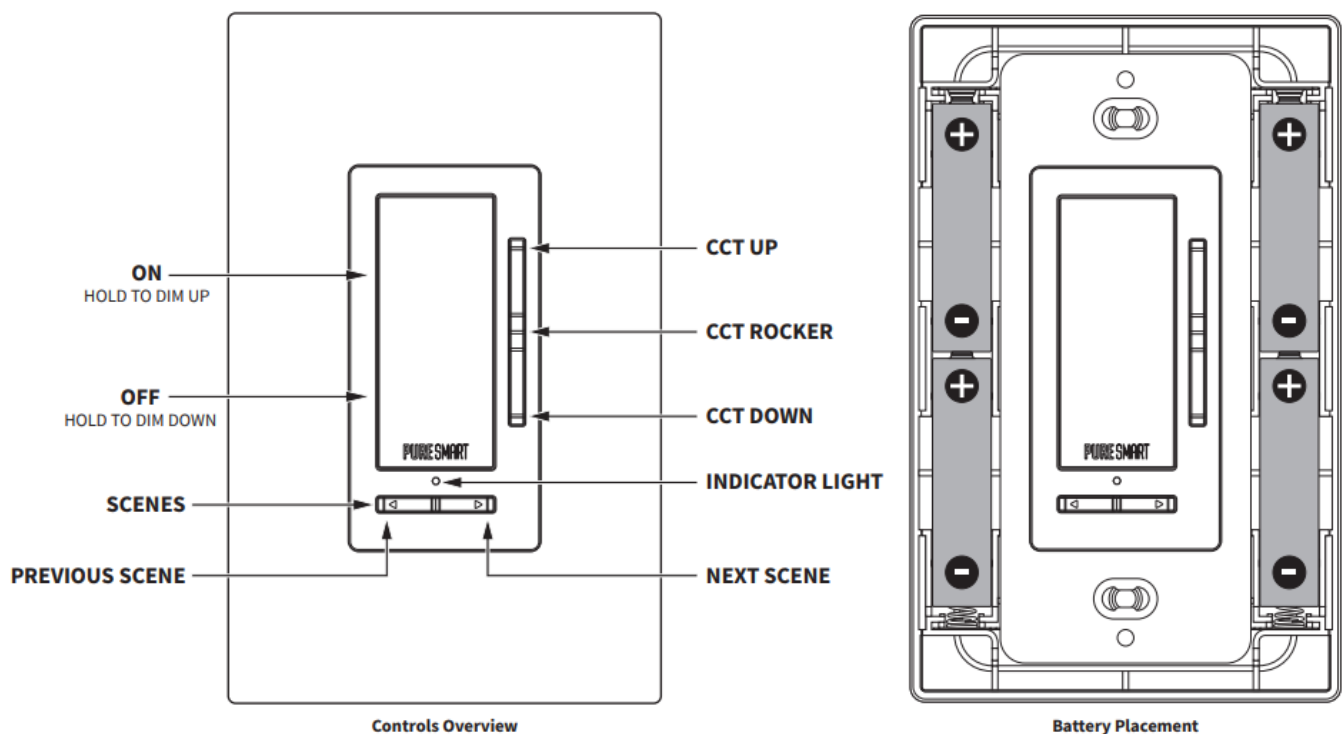
- Two Sided
- Adhesive Pads x2
- Neoprene Pads x2
- Drywall
- Anchors x2
- 6-32 Screws x2
- #6 Screws x2

Specifications

- **Power:** 3VDC Battery Powered, 60Hz 4 AAA Batteries (not included) Wireless
- **Frequency:** 2.4GHz
- **Wireless Standard:** IEEE802.11b/g/n No load maximum
- **Range:** up to 50 ft radius from the router or Wi-Fi Access point Rated for Indoor use only For control of WiZ smart loads only
- **Temperature Range:** 32° F~104° F

For more details, please refer to the manual. If you have any questions during installation, please contact us techsupport@pureedgelighting.com

Overview

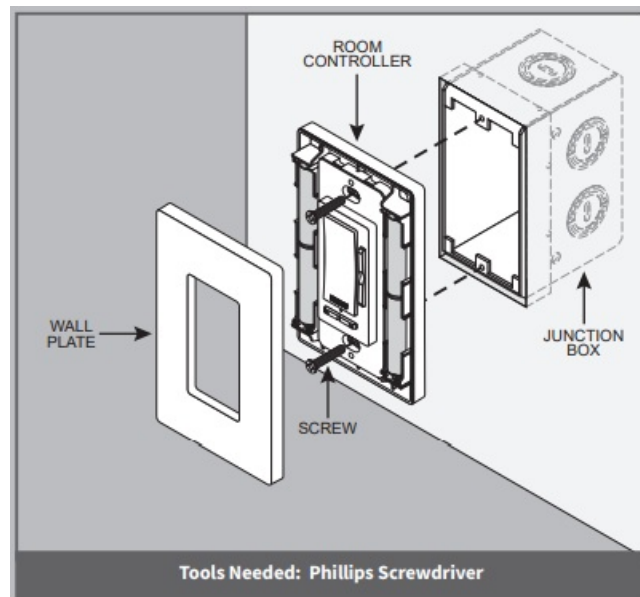


Notes before installation

1. Since the Pure Smart Remote Room Controller is a completely wireless, battery-powered, device, there is no limit to the number of devices that can be connected to the it. The neutral wire is NOT REQUIRED for installation.
2. Works with WiZ Connected smart lamps or fixtures only. Not for use with non-smart bulbs or fixtures. Compatible with any WiZ Connected or Pure Smart lamp/fixture/device.
3. Works only with another Pure Smart or WiZ Connected wall control for multi-location control. Only compatible with CWW-TW-SCENE-WH, CWR-TW-SCENE-WH, SWW-SWT-WH, and SWW-DIM-WH. NOT be used with traditional non-smart 3-way/4-way on-off combinations.
4. The remote room controller can be installed on an existing junction box, anchored/screwed into drywall, or adhered to a tabletop or any surface with the two-sided adhesive (included). All materials needed for installation are included with the product. Directions for each installation method are included in Section 2. If you have any questions, please contact us at techsupport@pureedgelighting.com

Mounting the Device

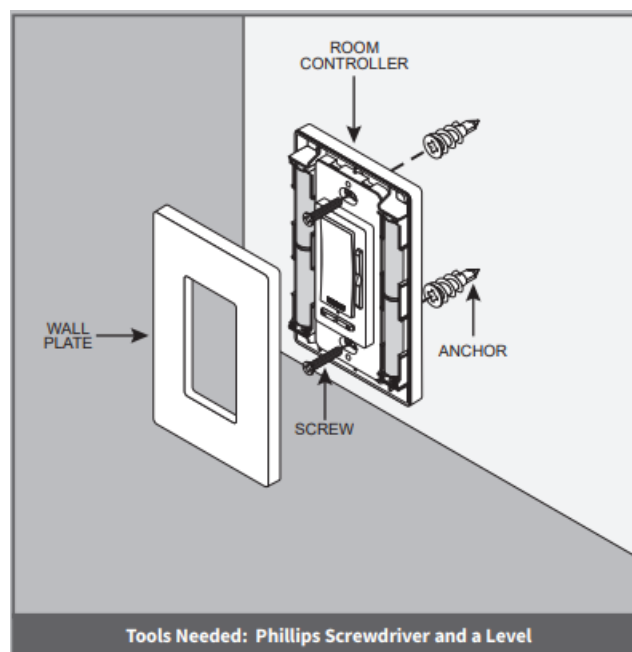
Junction Box Installation



Note: Please consult a qualified electrician before the removal of the existing 120V wall control.

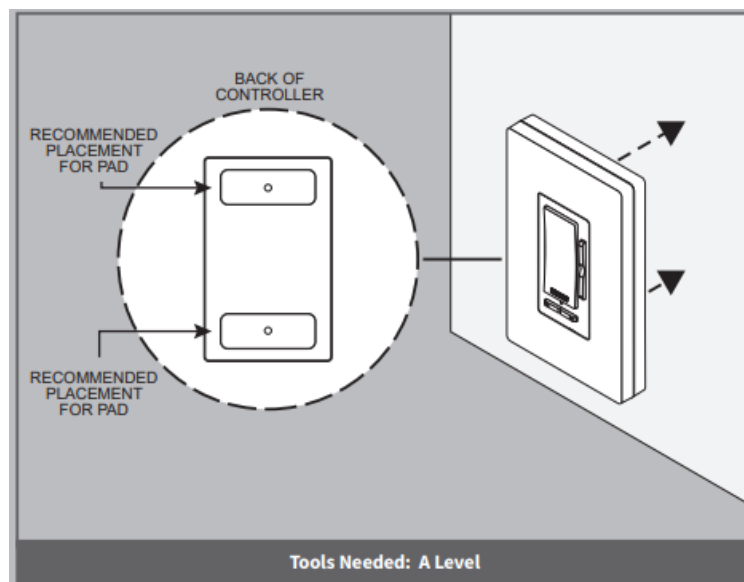
1. Turn off power to the circuit at the circuit breaker before removing the existing switch.
2. Remove the existing wall control and disconnect all of the wires.
3. Wire nut or cap off all of the conductors in the junction box.
4. Using the screws marked 6-32 install the back plate of the Remote Room Controller into the junction box.
5. Insert the 4 AAA batteries into the Remote Room Controller. Reference the diagram in section 1 for correct battery installation.
6. Snap in the front cover plate.
7. Follow the directions in Section 3 for pairing the Remote Room Controller with the Wiz App.
8. For 3-way applications follow the additional directions listed below assign the same targets to your Remote Room Controller and whatever device is acting as the second control in the 3-way.

Drywall Installation



1. Mark the placement of the anchors on the wall where the Remote Room Controller will be installed by placing the backplate of the room controller in its desired position, using a level to confirm proper alignment, and then with the included screws placed into the holes on the back plate, tap them with a hammer, thereby marking the positioning for the anchor installation.
2. Tap the supplied anchor onto the marked points up to the threaded portion with a hammer.
3. Screw in the threaded portion of the anchors with a Phillips screwdriver making sure that the top of the anchor is flush to the wall.
4. Line the back plate of the Remote Room Controller up with the anchors and screw the supplied #6 screws into the pre-installed anchors.
5. Install the 4 AAA batteries correctly per the diagram in section 1. Then snap on the front cover plate.
6. Follow the directions in Section 3 for pairing the Remote Room Controller with the WiZ App.
7. For 3-way applications follow the additional directions listed below to assign the same targets to your Remote Room Controller and whatever device is acting as the second control in the 3-way.

Surface Installation



1. Clean and dry the surface that the Remote Room Controller will be adhered onto.
2. If the installation will be permanent you will utilize the two-sided adhesive pads. For tabletop installations or installations where the device will need to be moved around use the neoprene pads that are included.
3. If using the two-sided adhesive pad, you'll now remove the paper backing on the exposed side, press, and hold the backplate against the surface, creating a strong bond. We recommend using a level if installing on the wall to ensure proper alignment.
4. Install the 4 AAA batteries.
5. Snap on the front cover plate.
6. Follow the directions in Section 3 for pairing the Remote Room Controller with the WiZ App.
7. For 3-way applications, follow the additional directions listed below to assign the same targets to your Remote Room Controller and whatever device is acting as the second control in the 3-way.

FOR MULTI-LOCATION CONTROL:

For multi-location control with the Pure Smart Room Controller and Pure Smart Wi-Fi Switch or Dimmer, you'll place the Room Controller in the same room and make the Smart Switch or Dimmer the target for the Room

Controller. For multi-location control with 2 Room Controllers, you'll place both of them in the same room, allowing for both controllers to have full control over every fixture in the room, or you'll select the same target(s) for both Room Controllers. Targets refer to any device/lamp/fix-ture that the Room Controller is in control of in the WiZ App.

App Pairing

Downloading WiZ Connected:

1. Please scan the QR code to download the application "WiZ Connected".
2. You may also find the WiZ app in the Apple App Store or the Google Play Store under "WiZ Connected".
3. After you download the WiZ Connected App and register a new account, please follow the instructions below to set up your smart switch.

For WiZ Pro Dashboard Users: Wiz Pro Dashboard account and home must be created before starting commissioning in the WiZ app. Please create an account on WiZ Pro Dashboard. Then create your home or location. After doing so, you may proceed to create an invitation in the dashboard by going to "settings" and then the "members" tab. By clicking on the "Invite" button you will be able to generate an invitation to access this dashboard location in the WiZ app. From there you can proceed with commissioning in the WiZ app but also have the added functionality of the Dashboard desktop application.

PLEASE READ BEFORE PAIRING ROOM CONTROLLER IN WIZ APP:

In the WiZ app, any Pure Smart / WiZ fixture(s) must be added to a room prior to adding the Room Controller that will control them. Please refer to the installation manual included with the Pure Smart / Wiz light fixtures for setup.



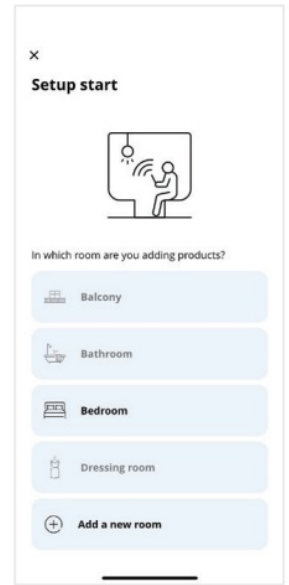
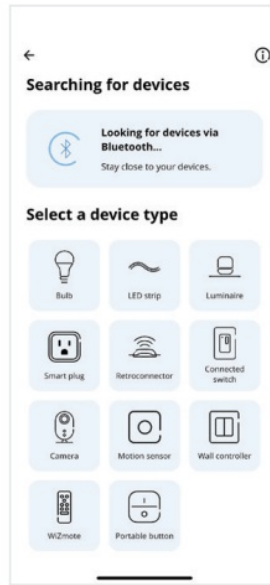
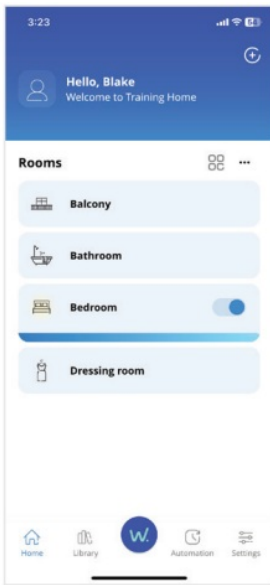
 **Wi-Fi + Bluetooth**



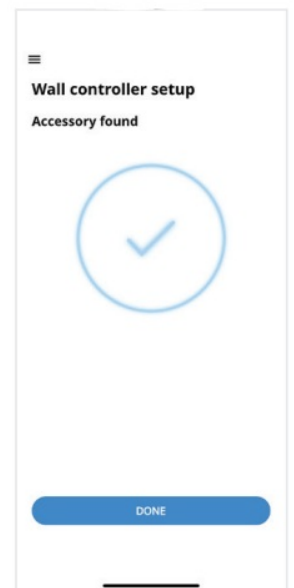
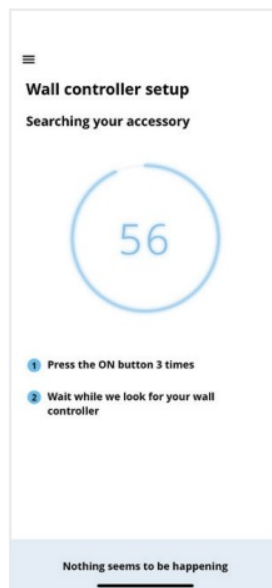
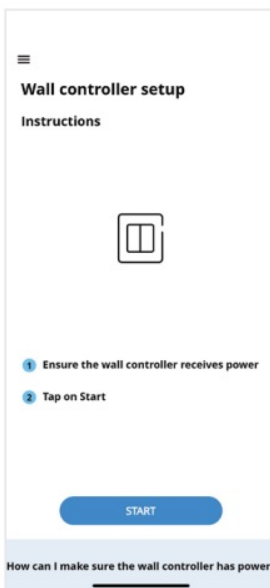
- pro.wizconnected.com

Smart Pairing

1. Once your lamps or fixtures have been connected, press the plus sign in the top right hand corner to add your smart room controller.
2. Select "Wall Controller" from the available device types.
3. Select whichever room the Wall Controller will be installed in or controlling.

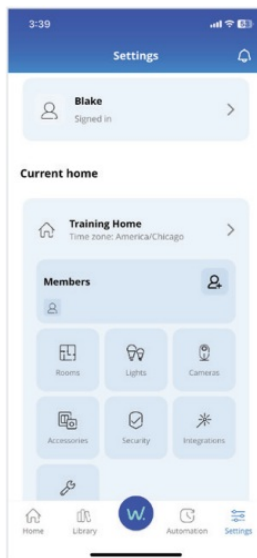
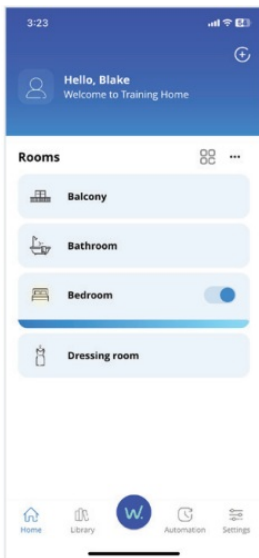


4. Follow the on-screen instructions and ensure that your Wall Controller is connected to 120V power and then press “START”.
5. Follow the on-screen instructions by pressing the On button 3 times and wait while the WiZ app looks for your Wall Controller.
6. When you receive the “Accessory found” message you may press done and begin controlling the light fixtures in that room with your Wall Controller. Follow additional instructions below to personalize settings and

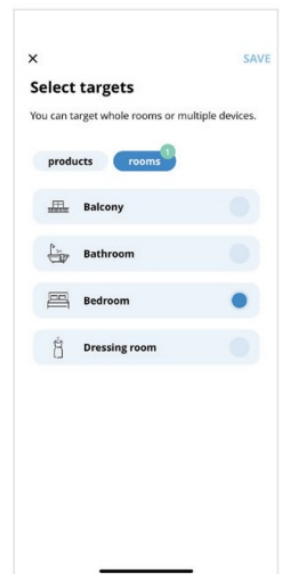
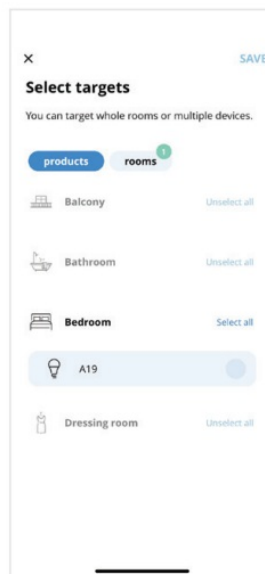
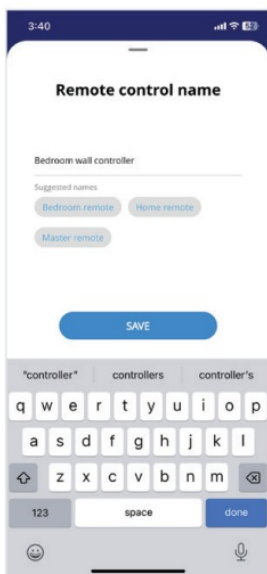


Additional Settings for Wall Controller Accessory

1. For additional setup, select “Settings” on the bottom right hand corner of the Home screen.
2. Select “Accessories” from the Settings menu.
3. Select the Wall Controller that you’d like to customize control with.



4. If needed, you have the option to rename your Wall Controller.
5. You can select individual targets that the Wall Controller will control by choosing specific fixtures or devices.
6. Or you can choose an entire room for the Wall Controller to control.



Wiz Pro Software Suite



Wiz Pro Dashboard

- Grant access permission to different stakeholders
- A clear overview to monitor lights with their mapped location
- Full range of configurations and remote control
- Comprehensive reporting on device status
- An interface dedicated to Installers
- Extends capabilities of installation of WiZ Pro products



WiZ Pro Setup

- For end users to have simple, quick control on a daily basis
- Rich features including Scenes and Rhythms



WiZ app

- pro.wizconnected.com



Important Note: To comply with the FCC RF exposure compliance requirements, no change to the antenna or the device is permitted. Any change to the antenna or the device could result in the device which can be determined by turning the equipment off and on, the user is encouraged to try to correct the exceeding the RF exposure requirements and void user's authority to operate the device.

Important Notice

- **Battery Compatibility:** Ensure that you use batteries that are compatible with the product's specifications as outlined in the user manual. Using incompatible batteries may damage the product or pose safety risks.
- **Battery Installation:** Follow the user manual instructions for proper battery installation. Incorrect installation may lead to product malfunction, damage, or potential hazards.
- **Battery Safety:** Always exercise caution when handling and using batteries. Keep them away from children and pets. Do not expose batteries to extreme temperatures, direct sunlight, or moisture, as it may lead to leakage, overheating, or other safety issues.
- **Liability:** The manufacturer is not responsible for any damage to the product or any third-party property or personal injuries caused by the use of batteries, including but not limited to leakage, overheating, or malfunction. By purchasing and using this product, you acknowledge and accept these battery-related risks and release the manufacturer from any liability related to the installation, use, or consequences of the batteries in this product. Please read the product user manual and follow all safety guidelines provided to ensure the safe and proper operation of this product. Always seek professional advice for battery-related concerns, and dispose of used batteries following local regulations. Remember, it's crucial to consult with a legal professional to ensure your disclaimer is legally sound and suitable for your specific product and jurisdiction.

This device complies with Industry Canada license-exempt RSS standard (s). Operation is subject to the following two conditions: (1) This device may not cause interference, and (2) This device must accept any interference, including interference that may cause undesired operation of the device.

FCC Caution


This device complies with part 15 of the FCC Rules. Operation is subject to the following two conditions: (1) This device may not cause harmful interference, and (2) this device must accept any interference received, including interference that may cause undesired operation. Any Changes or modifications not expressly approved by the party responsible for compliance could void the user's authority to operate the equipment.

NOTE: This equipment has been tested and found to comply with the limits for a Class B device, under Part 15 of the FCC Rules. These limits are designed to provide reasonable protection against harmful interference in a residential installation. This equipment generates, uses and can radiate radio frequency energy and, if not installed and used per the instructions may cause harmful interference to radio communications. However, there is no guarantee that interference will not occur in a particular installation. If this equipment does cause harmful interference to radio or television reception, which can be determined by turning the equipment off and on, the user is encouraged to try to correct the interference by one or more of the following measures:

- Reorient or relocate the receiving antenna.
- Increase the separation between the equipment and the receiver.
- Connect the equipment into an outlet on a circuit different from that to which the receiver is connected.
- Consult the dealer or an experienced radio / TV technician for help.

This equipment complies with FCC radiation exposure limits set for the for an uncontrolled environment. This equipment should be installed and operated with minimum distance 20cm between the radiating part and your body.

Documents / Resources

	<p>PURE Wiz34 Smart Remote Room Controller [pdf] User Manual Wiz34 Pure Smart Remote Room Controller, Wiz34, Pure Smart Remote Room Controller, Smart Remote Room Controller, Remote Room Controller, Room Controller</p>
---	---

References

- [User Manual](#)

[Manuals+](#). [Privacy Policy](#)

This website is an independent publication and is neither affiliated with nor endorsed by any of the trademark owners. The "Bluetooth®" word mark and logos are registered trademarks owned by Bluetooth SIG, Inc. The "Wi-Fi®" word mark and logos are registered trademarks owned by the Wi-Fi Alliance. Any use of these marks on this website does not imply any affiliation with or endorsement.