

# Paulmann 79815 LED Hanging Lamp Instruction Manual

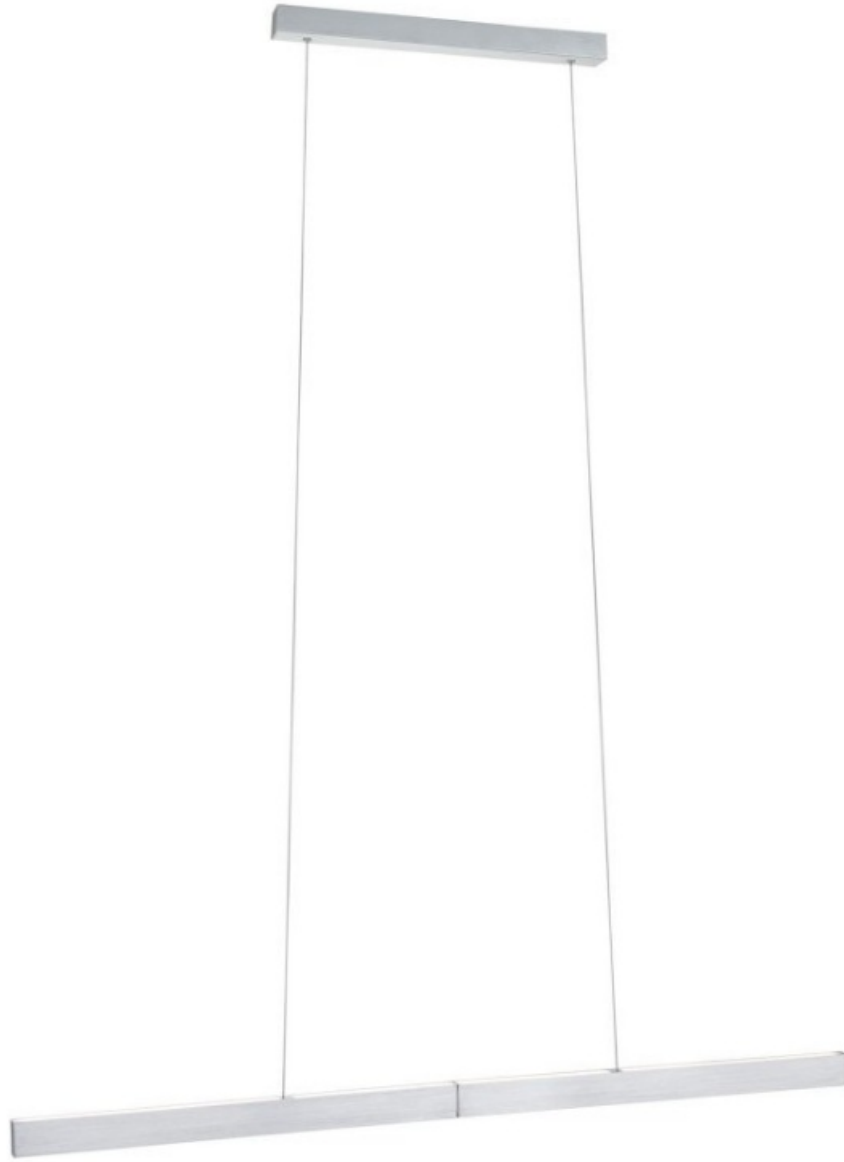
[Home](#) » [Paulmann](#) » Paulmann 79815 LED Hanging Lamp Instruction Manual 

## Contents

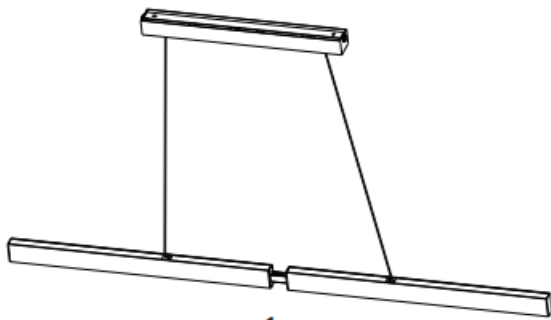
- [1 Paulmann 79815 LED Hanging Lamp](#)
- [2 WHAT'S IN THE BOX](#)
- [3 TOOLS NEEDED](#)
- [4 INSTALLATION](#)
- [5 Replaceability](#)
- [6 Documents / Resources](#)
- [7 Related Posts](#)



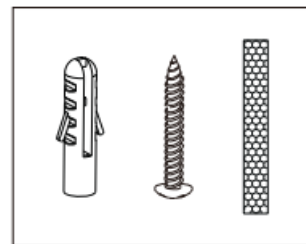
**Paulmann 79815 LED Hanging Lamp**



**WHAT'S IN THE BOX**

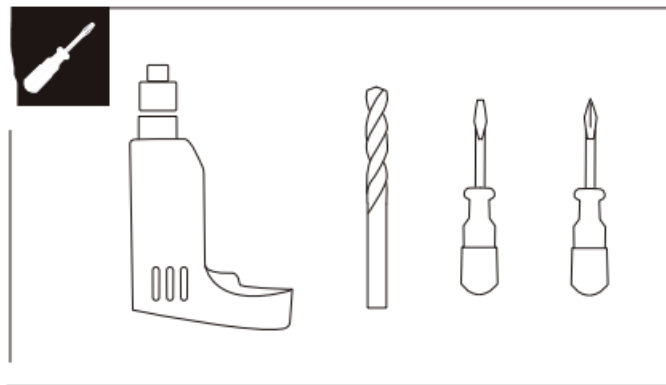


1x

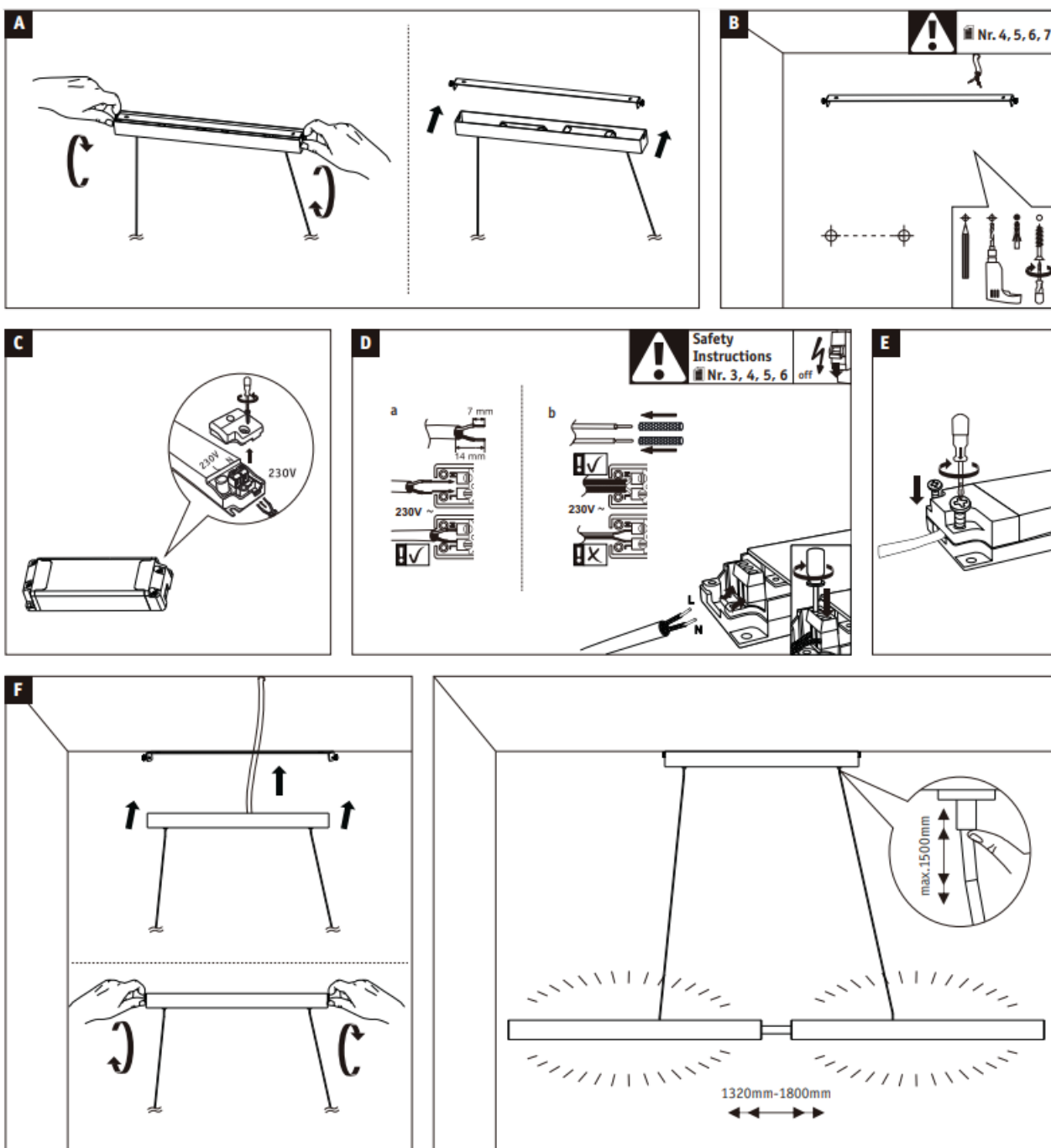


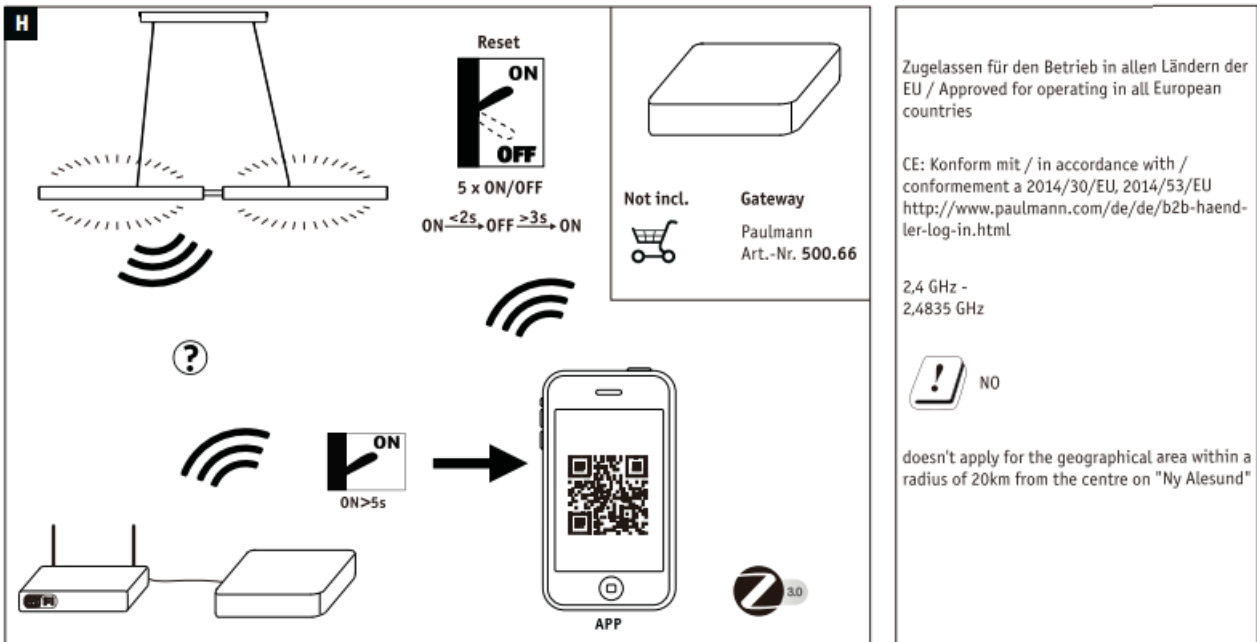
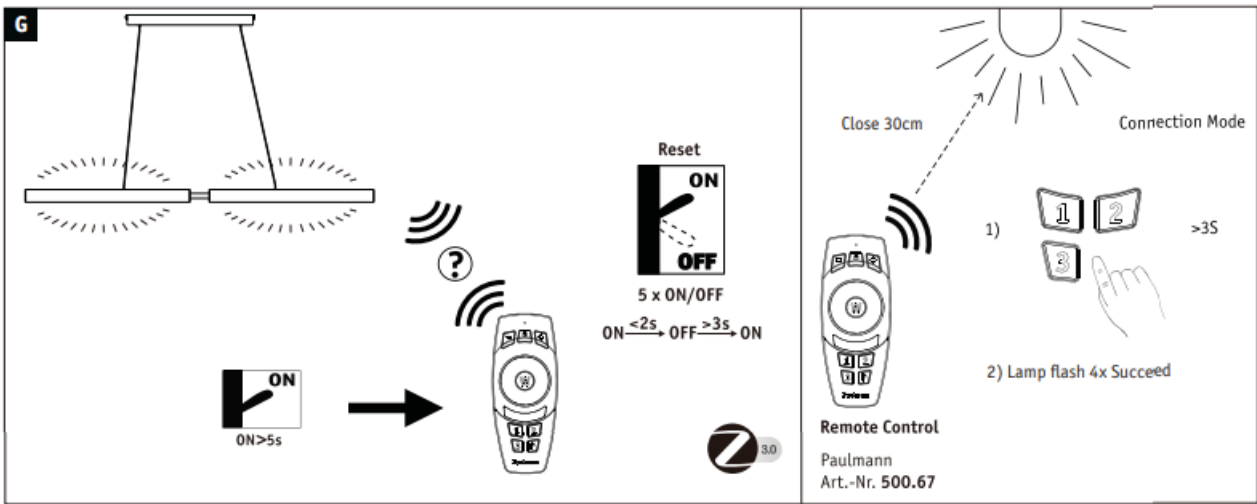
Incl.

**TOOLS NEEDED**



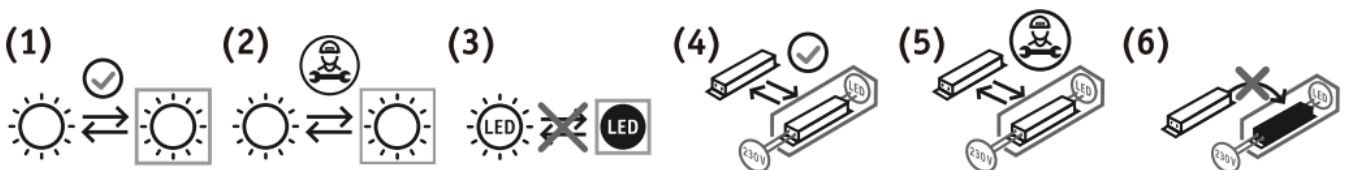
## INSTALLATION





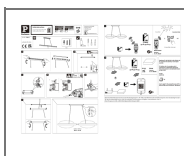
This product contains a light source with energy efficiency class <see above>.

## Replaceability



- (1) Light source or (4) operating device can be replaced by end users without permanent damage to the luminaire.  
 (2) Light source or (5) operating device can be replaced by a qualified electrician without permanently damaging the luminaire. (3) Light source or (6) operating device is not replaceable, the luminaire must be replaced.

## Documents / Resources



[Paulmann 79815 LED Hanging Lamp](#) [pdf] Instruction Manual  
 79815 LED Hanging Lamp, 79815, LED Hanging Lamp, Hanging Lamp, Lamp

