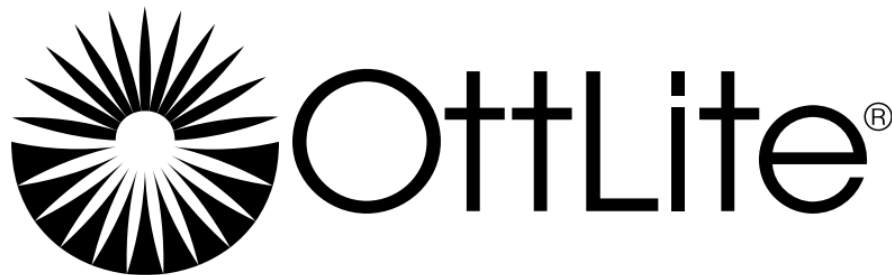




OttLite CS9WCG5C-SHPR ClearSun LED Desk Lamp with Wireless Charging User Manual

[Home](#) » [OttLite](#) » OttLite CS9WCG5C-SHPR ClearSun LED Desk Lamp with Wireless Charging User Manual 

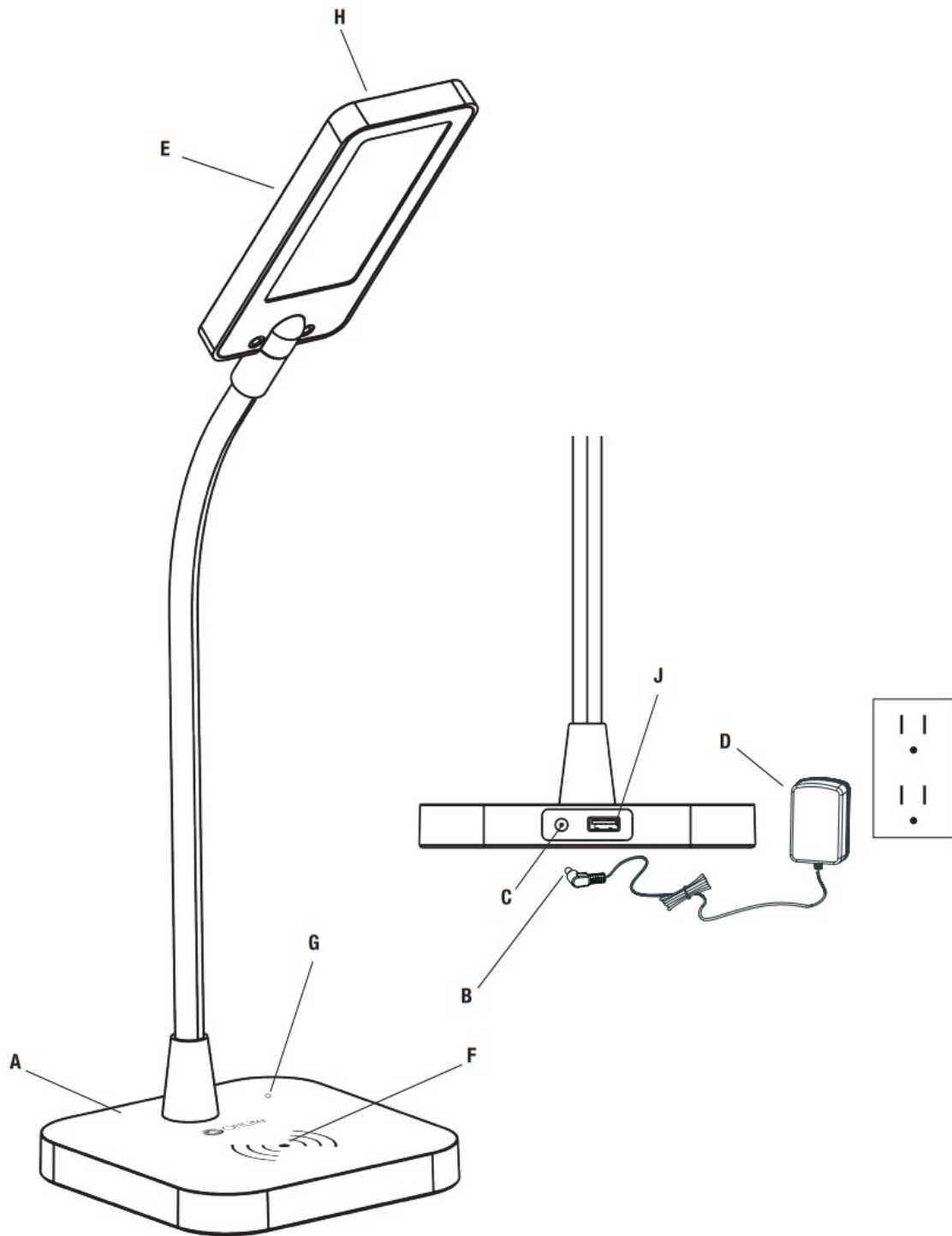


CS9WCG5C-SHPR Clear Sun LED
Desk Lamp with Wireless Charging
User Manual

Contents

- [1 CS9WCG5C-SHPR ClearSun LED Desk Lamp with Wireless Charging](#)
- [2 CONGRATULATIONS!](#)
- [3 WIRELESS CHARGING INSTRUCTIONS:](#)
- [4 SAFETY](#)
- [5 FCC PART 15](#)
- [6 POWER ADAPTER SPECIFICATION:](#)
- [7 Documents / Resources](#)
 - [7.1 References](#)
- [8 Related Posts](#)

CS9WCG5C-SHPR ClearSun LED Desk Lamp with Wireless Charging



CONGRATULATIONS!

You've purchased the finest in natural lighting technology with your new Ottoline® product.

PRODUCT REGISTRATION FORM

Please complete the enclosed Product Registration Form and return it today by mail, or register online by going to: OttLite.com/warranty **WARNING:** To prevent electric shock, make sure the lamp is not plugged in until all steps are complete.

NOTE: THIS UNIT IS FULLY ASSEMBLED

1. Remove lamp from packing, placing lamp body base (A) flat on a steady surface.
2. Connect power adapter input (B) into connector (C) in the rear-bottom of the lamp.
3. Plug the power adapter (D) into a standard household 120V AC outlet.

Note: Only use with the supplied power adapter to avoid damage or fire.

4. Turn the lamp ON/OFF using touch switch (H) located on top of shade (E).
5. This lamp provides three brightness settings. To adjust the brightness of the lamp, touch switch (H) on top of shade (E).
6. This lamp provides three color modes. To adjust light color mode, press and hold switch (H) to change light color temperature.
7. Wireless charger (F) is located in the center of base (A). See Wireless Charging Instructions section for details.
8. To reposition the light, hold base (A) steady and grasp shade (E) to adjust position. DO NOT FORCE the shade or lamp body outside allowable adjustable range as excessive adjustment may cause damage.

WIRELESS CHARGING INSTRUCTIONS:

To wirelessly charge a device, perform the following:

- Place the device, which supports wireless charging, face up on the middle of the wireless charging icon (F).
- When the device is centered on the wireless charging icon (F), a solid RED light will indicate the device is charging properly. If a solid RED light is NOT visible, this indicates the device is not charging and needs to be properly centered.
- Check the charge level on your device periodically to determine when device is fully charged. NOTE: Lamp DOES NOT provide any indication of when device is fully charged.

CAUTION! DEVICE MAY BECOME WARM DURING CHARGING. THIS IS NORMAL AND PART OF THE PROCESS. CHARGING TIMES VARY BY DEVICE.

SAFETY

WARNING: TO REDUCE THE RISK OF FIRE, ELECTRIC SHOCK, OR INJURY TO PERSONS

1. Turn lamp off and WAIT UNTIL LAMP HEAD (E) IS COOL before handling.
2. The LED panel might get hot after several hours of continuous use DO NOT place your hands directly on LED light panel.
3. Never use with an extension cord unless the plug can be fully inserted into the receptacles in the extension cord.
4. Do not alter the plug.
5. The lamp head included with this unit cannot be replaced by the consumer.
6. INDOOR USE ONLY.

NOTE: The important safety instructions appearing in this instruction sheet are not meant to cover all possible conditions and situations that may occur. It must be understood that common sense, caution, and care must be used with any electrical product.

CAUTION! IF THE EXTERNAL FLEXIBLE CABLE OR CORD OF THIS LUMINAIRE IS DAMAGED, IT SHALL BE EXCLUSIVELY REPLACED BY THE MANUFACTURER OR ITS SERVICE AGENT OR A SIMILAR QUALIFIED PERSON IN ORDER TO AVOID A HAZARD. INDOOR USE ONLY.

CAUTION! THE LIGHT SOURCE OF THIS LUMINAIRE IS NOT REPLACEABLE;
WHEN THE LIGHT SOURCE REACHES ITS END OF LIFE THE WHOLE LUMINAIRE SHALL BE REPLACED.

CAUTION: Any change or modification to product not expressly recognized by Octile Technologies voids Octile's responsibility for proper function of product.

FCC PART 15

Note: This equipment has been tested and found to comply with the limits for a Class B digital device, pursuant to Part 15 of the FCC rules. These limits are designed to provide reasonable protection against harmful interference in a residential installation. This equipment generates, uses and can radiate radio frequency energy and, if not installed and used in accordance with the instructions, may cause harmful interference to radio communications. However, there is no guarantee that the interference will not occur in a particular installation. If this equipment does cause harmful interference to radio or television reception, which can be determined by turning the equipment off and on, the user is encouraged to try to correct the interference by one or more of the following measures:

- Reorient or relocate the receiving antenna.
- Increase the separation between the equipment and receiver.
- Connect the equipment into an outlet on a circuit different from that to which the receiver is connected.
- Consult the dealer or an experienced radio/TV technician for help.

Changes or modifications not expressly approved by the party responsible for compliance could void the user's authority to operate the equipment.

This device complies with Part 15 of the FCC Rules. Operation is subject to the following two conditions:

1. this device may not cause harmful interference, and
2. this device must accept any interference received, including interference that may cause undesired operation.

FCC RF RADIATION EXPOSURE STATEMENT CAUTION:

To maintain compliance with the FCC's RF exposure guidelines, place the product at least 20cm from nearby persons.

POWER ADAPTER SPECIFICATION:

Input: AC 100-240V, 50/60 Hz, 0.8A

Output: 12V DC, 2.0A with a Male DC Plug

WIRELESS CHARGER SPECIFICATION:

Output: 5V, 1A or 5 watts

THIS PRODUCT CONTAINS a 5V, 2.1A USB output port (J) located on the bottom rear of product. USB port can charge items such as tablets, cellular phones, etc.



Documents / Resources



[OttLite CS9WCG5C-SHPR ClearSun LED Desk Lamp with Wireless Charging](#) [pdf] User Manual
CS9WCG5C-SHPR ClearSun LED Desk Lamp with Wireless Charging, CS9WCG5C-SHPR, ClearSun LED Desk Lamp with Wireless Charging, ClearSun LED Desk Lamp, LED Desk Lamp, Desk Lamp, Lamp

References

-  [OttLite Warranty Information](#)

Manuals+.