



# OSRAM LEDSC01 LEDDriving Smart Canbus User Manual

[Home](#) » [OSRAM](#) » OSRAM LEDSC01 LEDDriving Smart Canbus User Manual 

## Contents

- [1 OSRAM LEDSC01 LEDDriving Smart Canbus](#)
- [2 Product Information](#)
- [3 Product Usage Instructions](#)
- [4 BOX CONTENTS](#)
- [5 Installation Instructions](#)
- [6 Documents / Resources](#)
  - [6.1 References](#)
- [7 Related Posts](#)

# OSRAM

## OSRAM LEDSC01 LEDDriving Smart Canbus



## Product Information

The LEDSC01 is an electronic load resistor designed for use with the Opel Astra J vehicle model. It is used to address issues related to LED lighting installations, specifically related to flickering or error messages related to the vehicle's CANBUS system. The LEDSC01 is installed in-line with the vehicle's wiring, and it provides a load to the system that simulates the power-draw of a halogen bulb, thereby addressing the issues related to LED lighting

installations.

## Product Usage Instructions

Before installing LEDSC01, ensure that you have the following tools:

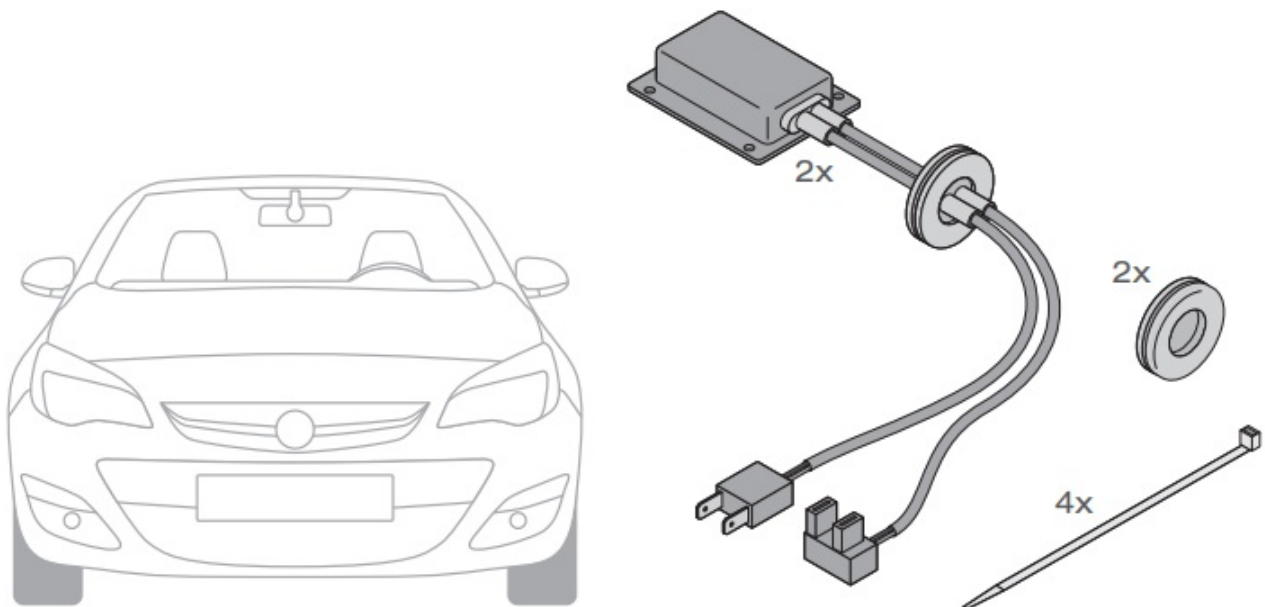
- Step drill bit
- Rubber gasket
- Cable ties

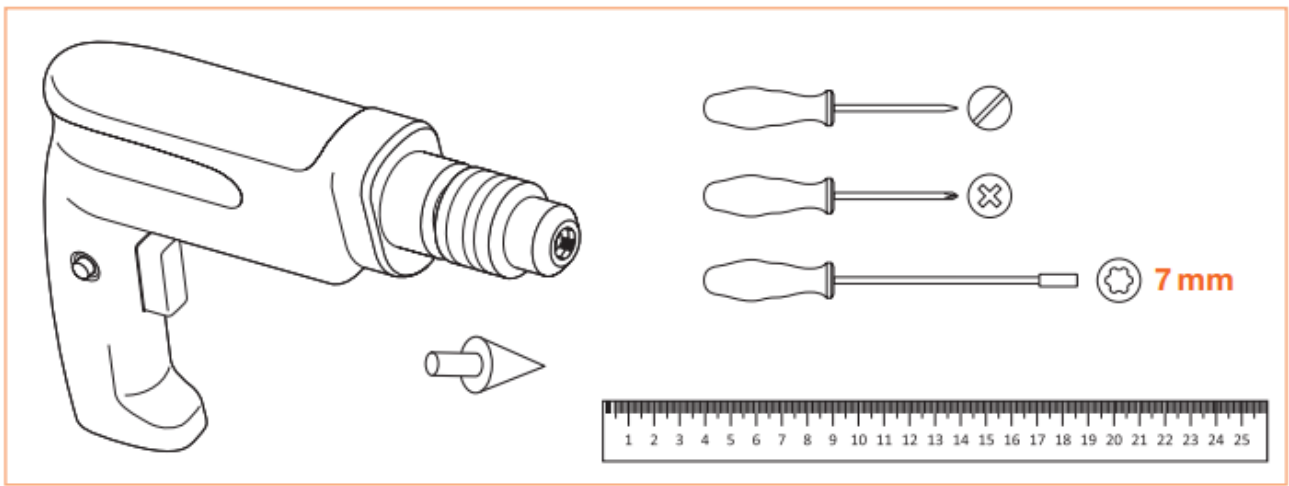
### Follow these steps for proper installation of the LEDSC01:

1. Remove the windshield washer fluid reservoir.
2. Ensure that the halogen adapter is disconnected from the plug.
3. Mark the headlight protective cover where the hole needs to be drilled (13 mm from the center toward the right).
4. Using a step drill, drill the hole needed for the cable to pass through.
5. Mount the SMART CANBUS (load resistor) to the vehicle's body (metal).
6. Seal using rubber gasket and secure using cable ties until they are taut.
7. Remount the windshield washer fluid reservoir.

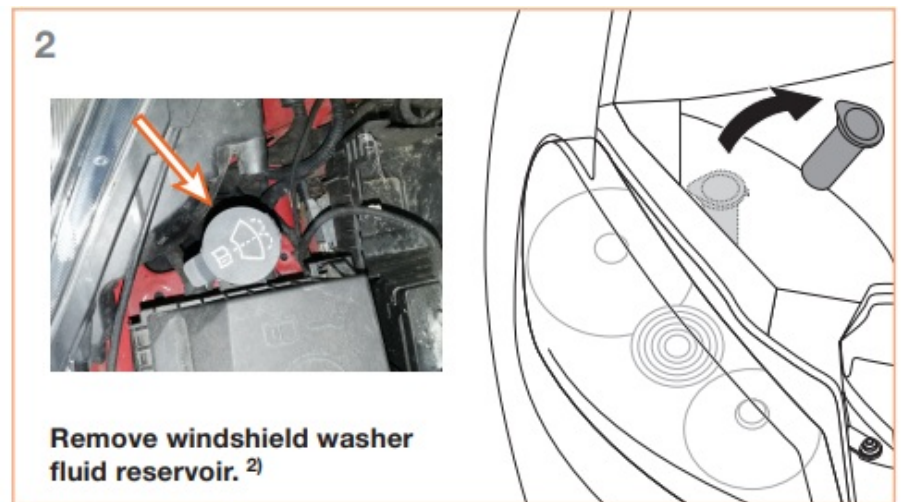
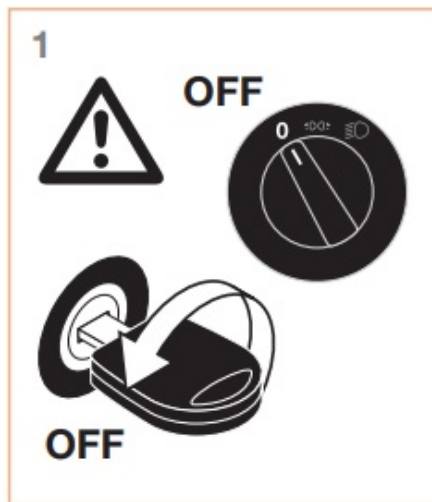
If you have any questions regarding maintenance or technical problems, please contact OSRAM customer service via [automotive-service@osram.com](mailto:automotive-service@osram.com).

## BOX CONTENTS





## Installation Instructions

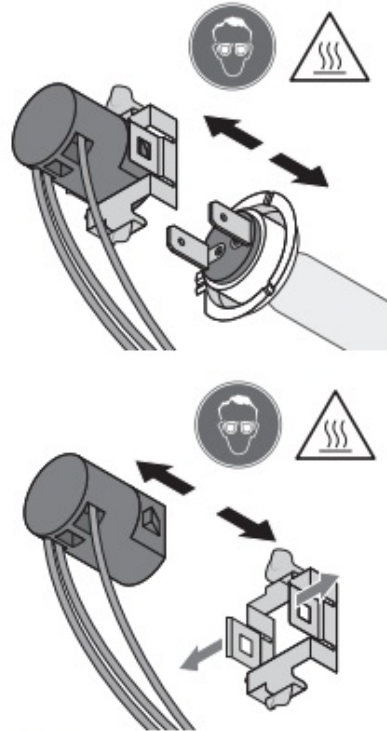


5



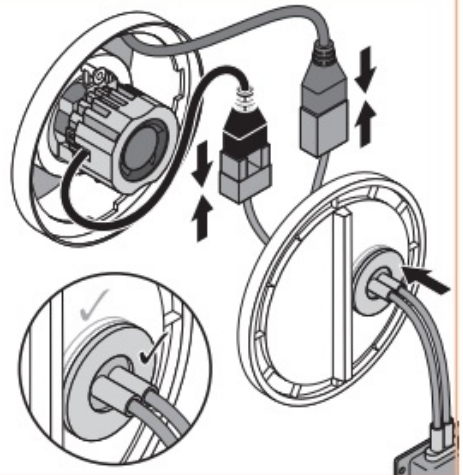
Seal using rubber gasket. <sup>4)</sup>

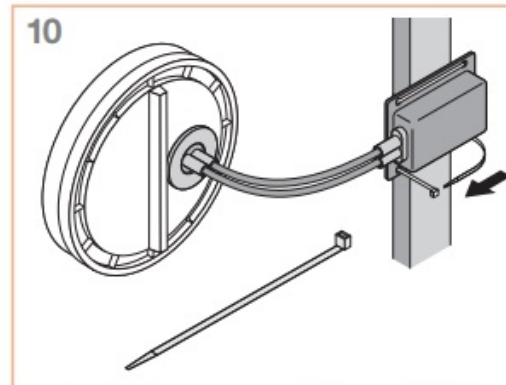
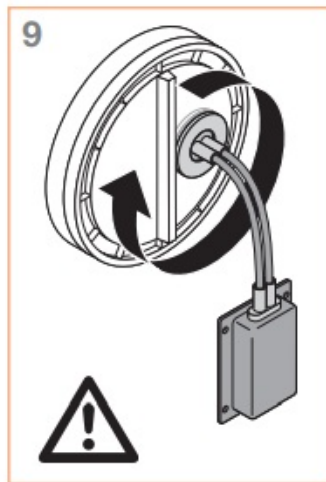
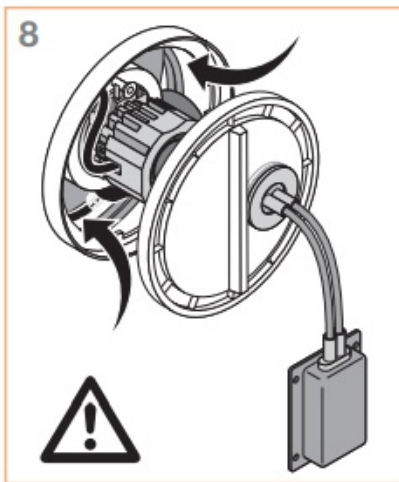
6



Disconnect the halogen adapter from the plug. <sup>5)</sup>

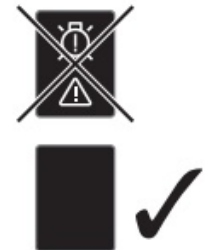
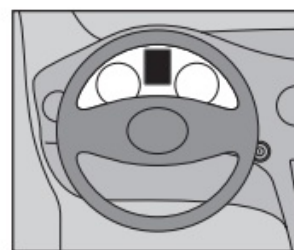
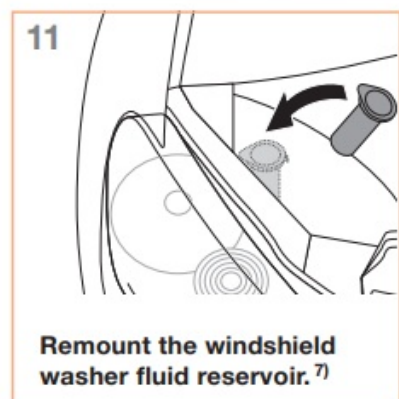
7





Mount the SMART CANBUS (load resistor) to the vehicle's body (metal).

**Please note:** Pull the cable ties until they are taut. <sup>6)</sup>



For questions regarding maintenance or technical problems, please contact OSRAM customer service via [automotive-service@osram.com](mailto:automotive-service@osram.com)

## Documents / Resources



[OSRAM LEDSC01 LEDDriving Smart Canbus \[pdf\] User Manual](#)  
LEDSC01 LEDDriving Smart Canbus, LEDSC01, LEDDriving Smart Canbus, Smart Canbus, Canbus

## References

- [OSRAM Americas](#) | [OSRAM SYLVANIA Homepage](#)

